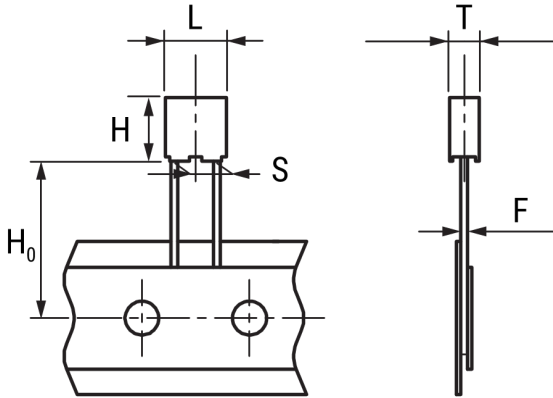


MMK5103K63J01L16.5TR18

Aliases (F601JF103K063L, MMK5103K63J01L16,5TR18)

Not for New Design • Recommended Replacement Series R60

MMK/F601, Film, Metallized Polyester, General Purpose, 0.01 uF, 10%, 63 VDC, 85°C, 5mm



Click [here](#) for the 3D model.

Dimensions

| | |
|----|-----------------|
| L | 7.2mm MAX |
| H | 6.5mm MAX |
| T | 2.5mm MAX |
| S | 5mm +0.6/-0.1mm |
| H0 | 16mm NOM |
| F | 0.5mm NOM |

Packaging Specifications

| | |
|--------------------|------|
| Packaging | T&R |
| Packaging Quantity | 2500 |

General Information

| | |
|--------------------------|--|
| Series | MMK/F601 |
| Dielectric | Metallized Polyester |
| Style | Radial |
| Features | DC Multipurpose Applications |
| RoHS | Yes |
| Lead | Wire Leads |
| AEC-Q200 | No |
| Typical Component Weight | 0.238 g |
| Notes | Not for new design - the replacement series is: R60. |

Specifications

| | |
|-----------------------|------------------------------------|
| Capacitance | 0.01 uF |
| Capacitance Tolerance | 10% |
| Voltage AC | 40 VAC |
| Voltage DC | 63 VDC, 48.8 VDC (100C) |
| Temperature Range | -55/+100°C |
| Rated Temperature | 85°C |
| Dissipation Factor | 0.8% 1kHz, 1.2% 10kHz, 2.5% 100kHz |
| Insulation Resistance | 15 GOhms |
| Max dV/dt | 25 V/us |
| Inductance | 6 nH |