



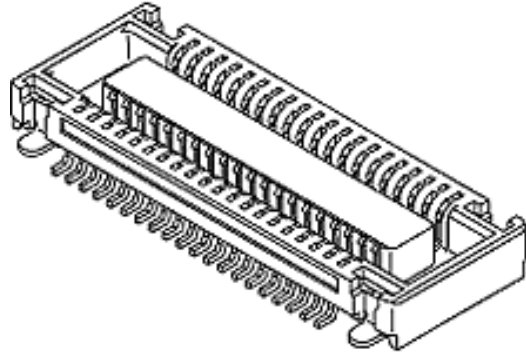
Part Number : [543630589](#)

Product Description : 0.50mm Pitch SlimStack Receptacle, Surface Mount, Dual Row, Vertical, 2.00mm Stacking Height, with Solder Tabs, 50 Circuits

Series Number : 54363

Status : Active

Product Category : Board-to-Board Connectors



Documents & Resources

Drawings

[Drawing 543630589_sd.pdf](#)

3D Models and Design Files

[3D Model 543630589_stp.zip](#)

Specifications

[Packaging Specification 543639200-SPK-200.pdf](#)

[Product Specification PS-54363-046-001.pdf](#)

Product Environment Compliance

Compliance

GADSL/IMDS	Not Relevant
China RoHS	
EU ELV	Not Relevant
Low-Halogen Status	Low-Halogen per IEC 61249-2-21
REACH SVHC	Not Contained per D(2023)8585-DC (23 Jan 2024)
EU RoHS	Compliant per EU 2015/863

[Multiple Part Product Compliance Statements](#)

- Eu RoHS
- REACH SVHC
- Low-Halogen

[Multiple Part Industry Compliance Documents](#)

- IPC 1752A Class C

- IPC 1752A Class D
- Molex Product Compliance Declaration
- IEC-62474
- chemSHERPA (xml)

EU RoHS Certificate of Compliance

Part Details

General

Status	Active
Category	Board-to-Board Connectors
Series	54363
Description	0.50mm Pitch SlimStack Receptacle, Surface Mount, Dual Row, Vertical, 2.00mm Stacking Height, with Solder Tabs, 50 Circuits
Series Name	0.5, BB H2
Application	Board-to-Board, Signal
Component Type	PCB Receptacle
Product Family	SlimStack Board-to-Board/Board-to-FPC Connectors
Product Name	SlimStack
UPC	822350912860

Electrical

Current - Maximum per Contact	0.5A
Voltage - Maximum	50V AC (RMS)/DC

Physical

Circuits (Loaded)	50
Circuits (maximum)	50
Color - Resin	Black
Durability (mating cycles max)	30
Glow-Wire Capable	No
Mated Height	2.00mm
Mated Width	6.00mm
Material - Metal	Phosphor Bronze

Material - Plating Mating	Gold
Material - Plating Termination	Gold
Material - Resin	High Temperature Thermoplastic
Net Weight	184.801/mg
Number of Rows	2
Orientation	Vertical
Packaging Type	Embossed Tape on Reel
PCB Locator	No
PCB Retention	Yes
Pitch - Mating Interface	0.50mm
Pitch - Termination Interface	0.50mm
Plating min - Mating	0.254µm
Plating min - Termination	0.051µm
Polarized to Mating Part	No
Polarized to PCB	No
Temperature Range - Operating	-40° to +105°C
Termination Interface Style	Surface Mount

Mates With / Use With

Mates with Part(s)

Description	Part Number
0.50mm Pitch Vertical SlimStack Plugs	<u>55650</u>