



2101PG

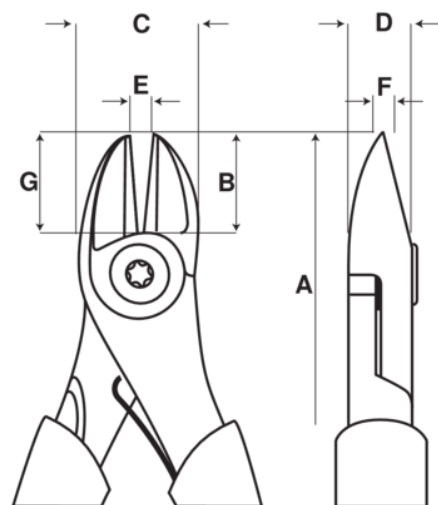
ERGO™ Side Cutting Pliers with Self Opening Dual-Component Handle and Phosphate Finish for Plastic



PRODUCT DETAILS

- Two-component ERGO™ handles: thermoplastic surface on tough polypropylene provides superior grip
- Side cutting pliers developed according to the scientific ERGO™ process
- Full flush cutting edge without bevelling designed to smoothly cut all kinds of plastic parts
- Distance from joint to centre of cutting edges is reduced for greater leverage and increased cutting capacity
- Equipped with a patented return spring featuring an on/off function
- High-performance alloy steel
- Phosphate finish, anti-corrosion treated


PLASTIC



Follow the Fish!



PRODUCT ATTRIBUTES

Product	A	B	C	D	E	F	G	
2101PG-160	160 mm	18,1 mm	21 mm	10,2 mm	2 mm	1.5 mm	18,1 mm	162 g

