

## Category 6A Shielded XLR Plug



### **Category 6A Shielded XLR plug (PGSDBk)**

This Category 6A XLR STP plug is die-cast and ruggedised. IP66 rated, it is built to be used in a wide range of challenging environments. Using the industry standard, XLR latch-locking mechanism, it offers a secure connection that comfortably performs to Cat6A.

### **Features**

- Category 6A shielded XLR style plug
- Ruggedized connector with CAT6A component compliance according to ISO / IEC 11801 and TIA / EIA 568-C.2
- PoE++ compliant according to 802.3bt Type4
- Ideal for field termination but also suitable for assembly operations
- Suitable for use with cables ranging from 4.5 - 8mm outer diameter (2 x retaining gaskets supplied for different size cable)
- Ideal for use in external environments such as outside broadcast, theatres, stadiums, and events.

### **Specifications**

- Weight: 72 g approx.
- Dimensions: 80x80x30 mm
- Colour: Black
- Materials (housing):
  - Zn alloy+Nickel Plated
  - Impact-resistant,UV stabilized ABS+PC 94V0 plastic
  - Retaining gaskets – Silicone

- Materials (Plug)
  - RJ45 plug: housing: nickel-plated zinc-alloy
  - contacts: 50 $\mu$ "/1.27 $\mu$ m gold plating over phosphor bronze
  - plug cover: ABS, plug latch: POM
  - IDC: housing and cover: PC FR, terminals/contacts: tin-plated phosphor bronze
  - Earthing plate: SUS304

**Packaging:** Supplied in individual poly bags poly bags then in packs of 10

**Commodity Code:** 85177090

**EAN:** 5055386511515

**Country of Origin:** China

**Component images:**



**Illustrative image:**



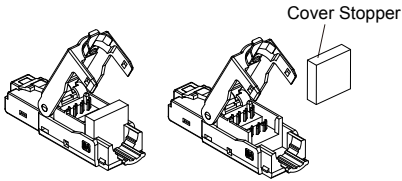
**Assembling the PGSDbk video**

<https://youtu.be/IFJiWQ58m6c>

# Instruction Manual

①

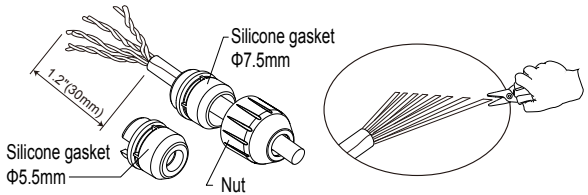
Remove the Cover Stopper before installation.



JACK PIN DESIGNATIONS	TIA / EIA T568A	TIA / EIA T568B	INDUSTRIAL
	1	White/Green	White/Orange
2	Green	Orange	Orange
3	White/Orange	White/Green	White
6	Orange	Green	Blue
4	Blue	Blue	
5	White/Blue	White/Blue	
7	White/Brown	White/Brown	
8	Brown	Brown	

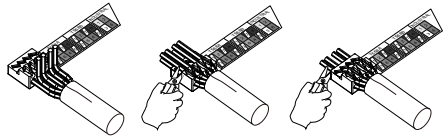
②

Insert correct size silicone gasket and nut into cable, strip off 1.2 inch of cable jacket, fold back the earth wire.



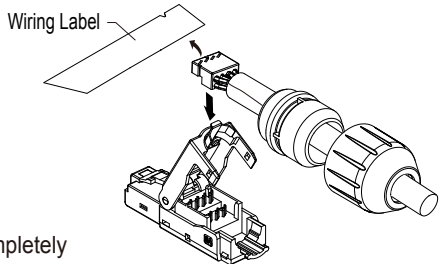
③

Fan out all four twisted pairs, following the colour coding label and allocate each conductor into proper slot on wiring cap. Trim excess conductors.



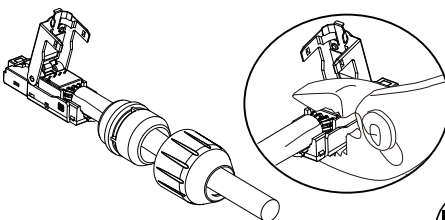
④

Remove the wiring label then place the wiring cap into plug.



⑤

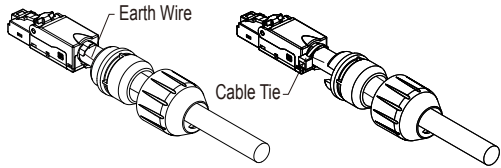
Use plier to clamp wiring cap until it completely snap-in to effect the connection.



# Instruction Manual

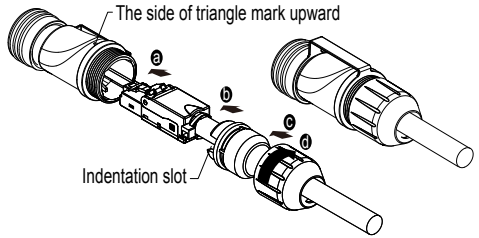
⑥

Close plug cover, make sure the earth wire is in proper contact with earthing clip on plug. Fasten cable tie to secure earth contact.



⑦

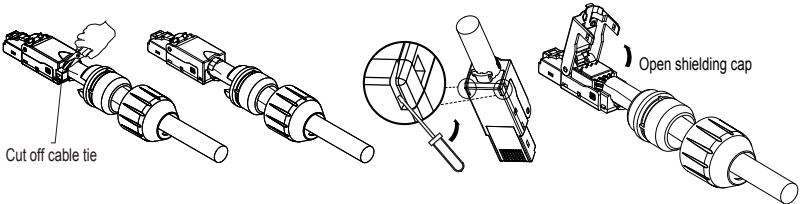
- a Insert the plug into IP68 plug housing.
- b Push silicone gasket near to the plug, turn the indentation slot of the silicone gasket to align with cable tie.
- c Push nut near to silicone gasket.
- d Tighten nut onto IP68 plug housing.



## Remove cable from plug

Untighten nut from IP68 plug housing, pull back nut and silicone gasket.

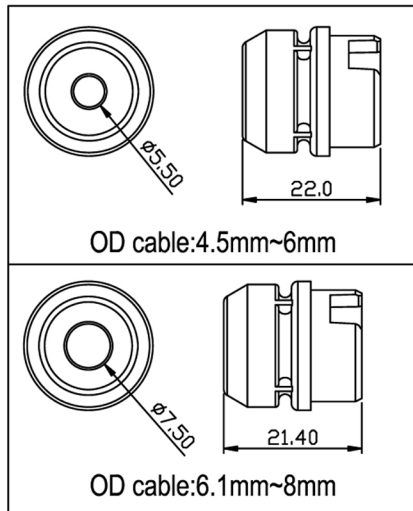
Cut off cable tie, remove silicone gasket and nut. Using flat-head screw driver, and pry **gently** on plug cover, one side then the other side, to open it.



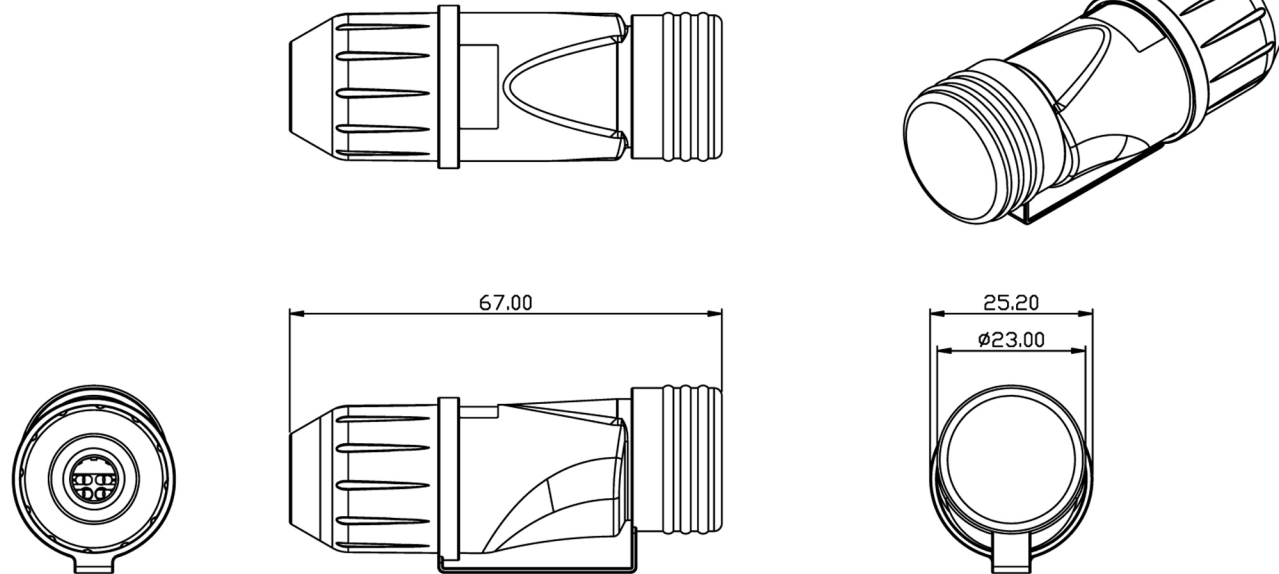
ROHS Compliant

Code: PGSDbk

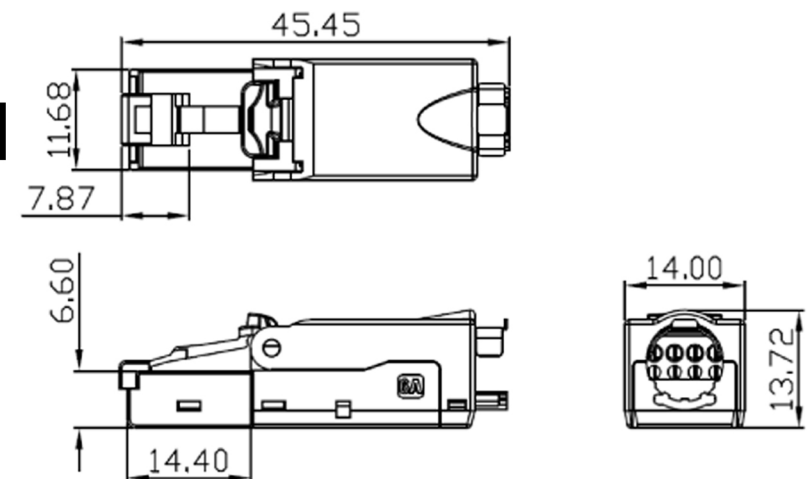
**HOUSING**



Accessory Kit



**PLUG**



**MECHANICAL**

- (1) Materials: Impact-resistant, UV stabilized ABS+PC 94V0 plastic
  - (2) Zn alloy+Nickel Plated
  - (3) Silicon dioxide BK
- Standard Gasket OD: 7.5mm  
 Optional Gasket OD: 5.5mm upon request