

25 x 50 Keystone Angled Faceplate Adaptor



Keystone Angled Euro Faceplate Adaptor 25 x 50 (KA45*pt)

These angled adaptors have been designed for use in standard “Euro” 25 x 50 faceplates which easily connect into industry standard trunking, wall or floor box installations.

Features

- Angled modules minimize issues with bend radius and are suitable for use with shallow backboxes or larger keystones
- Available in bright white and black, for a variety of standard and decorative faceplates, with a stylish matt finish
- Accommodate most keystone jacks including jacks which protrude beyond the faceplate, such as fibre, ‘F’ type and speaker connectors
- Suitable for HDMI connectors

Specifications

- Colour: Black (KA45bkpt) or white (KA45whpt)
- Material: Flame Retardant ABS
- Dimensions: 25 x 24 x 50 mm (L x W x H)
- Weight: 4g approx
- Packaging: in individual polythene clipseal bag then in packs of 20

Commodity code: 84733020

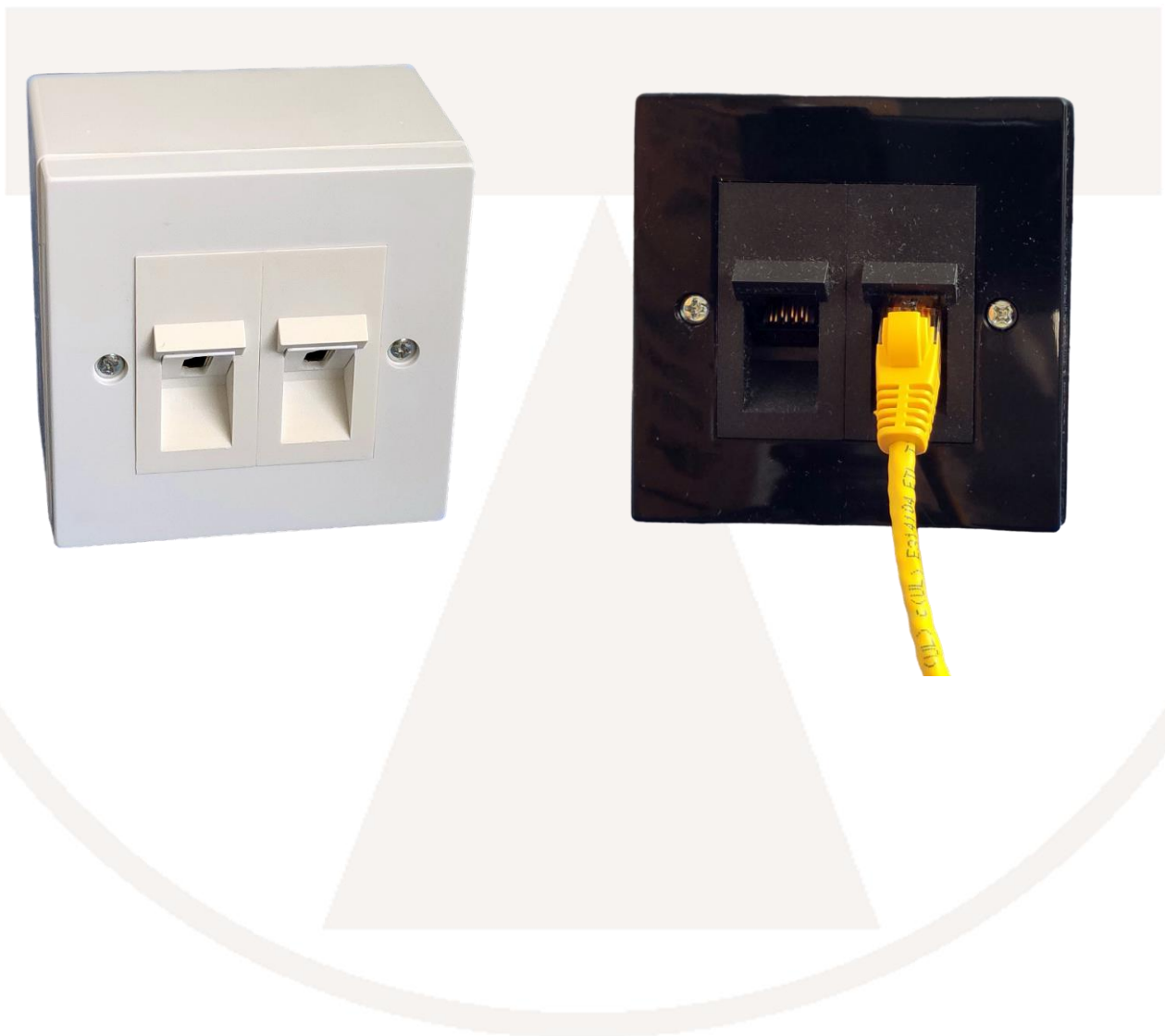
EAN:

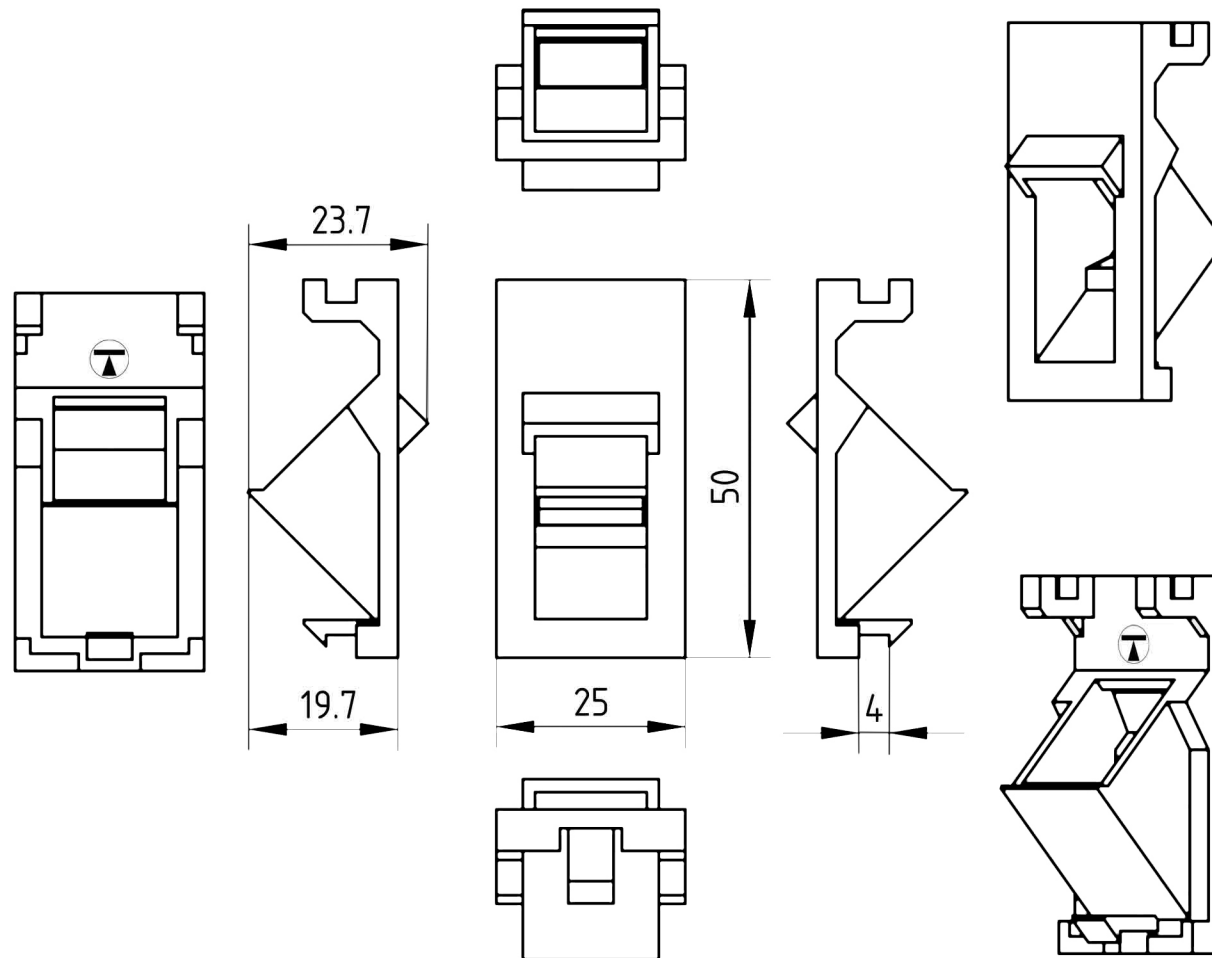
KA45whpt: 5055386511430

KA45bkpt: 5055386511522

Country of Origin: China

Illustrative images





6C Angled Keystone Adaptor



6C Angled Keystone Adaptor (KA645Whpt, KA645Bkpt)

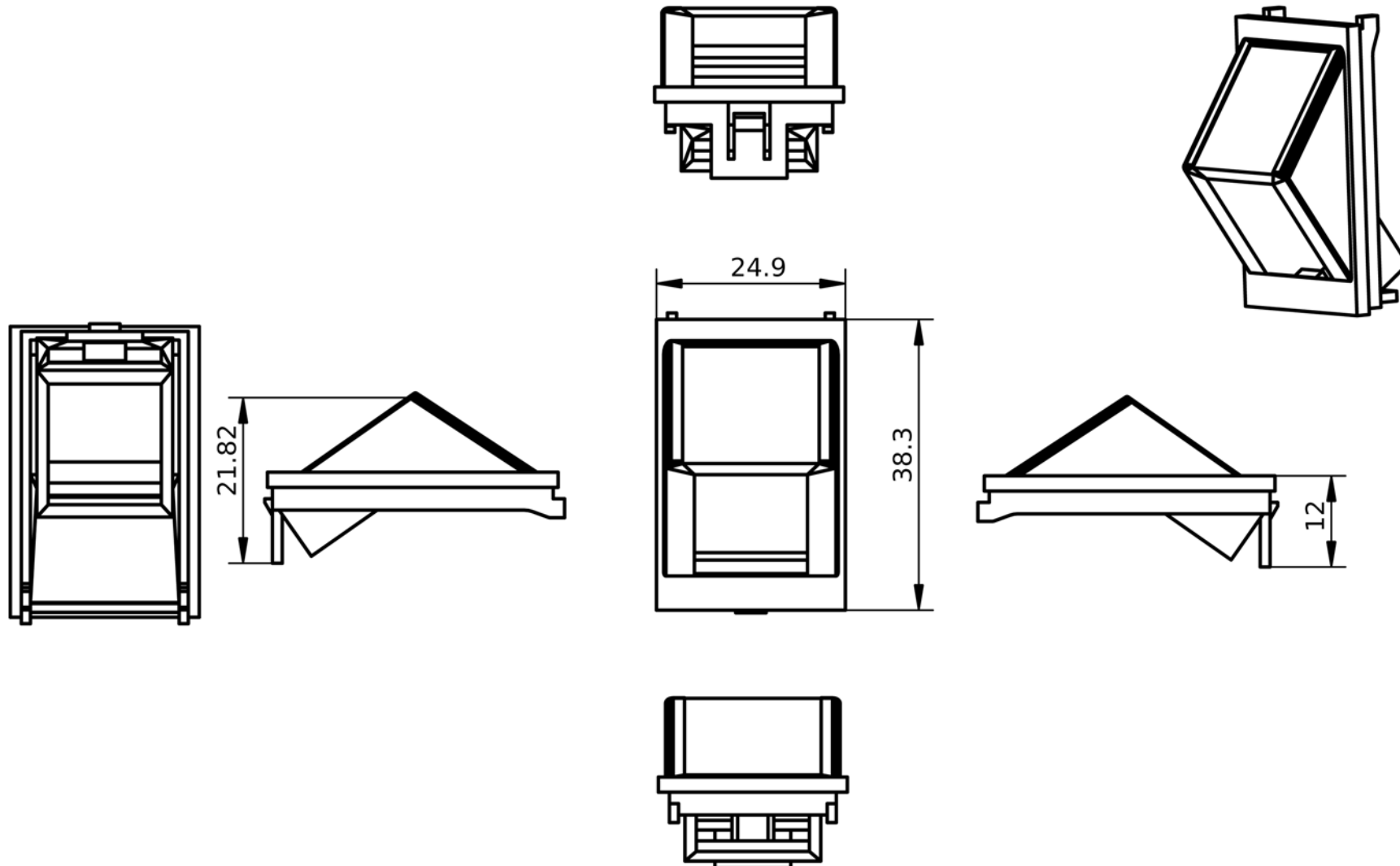
6C shutterless keystone adaptor in both black and white.

Features:

- Allows for standard sized keystones to be used in “6C” style faceplates
- Available in both white (for standard faceplates) and black (used in floor boxes etc.)
- Angled adaptor allows for reduced bend radius and better performance especially with more shallow back boxes
- Compatible with all of our keystone ranges (excepted our 90° angled keystones)

Specifications:

- Net weight (incl. packaging): 4 g
- Dimensions (incl. packaging): 45 x 70 x 25 mm
- Colour: White (KA645Whpt) and Black (KA645Bkpt)
- Materials: ABS UL94V Polycarbonate



25 x 38 Keystone Angled Faceplate Adaptor



Keystone angled adaptor faceplate 25 x 38 (KA6-45*ep)

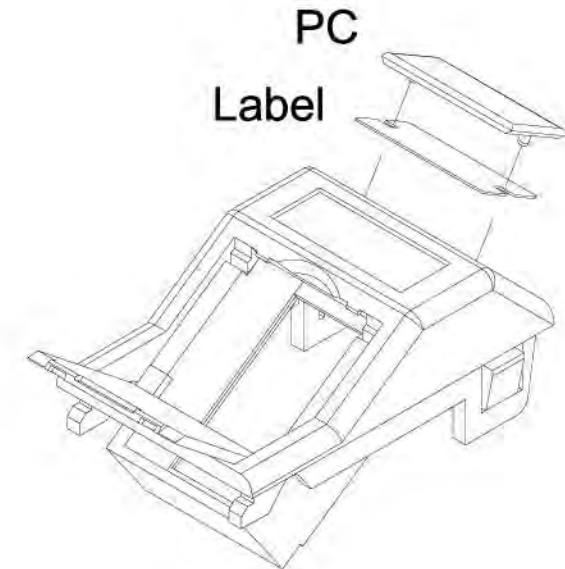
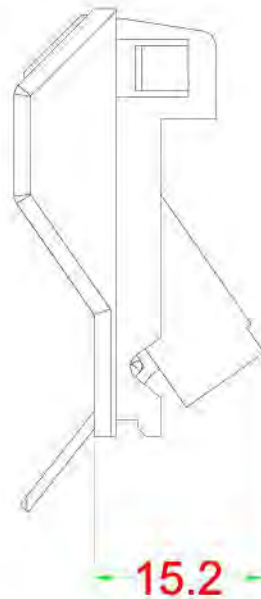
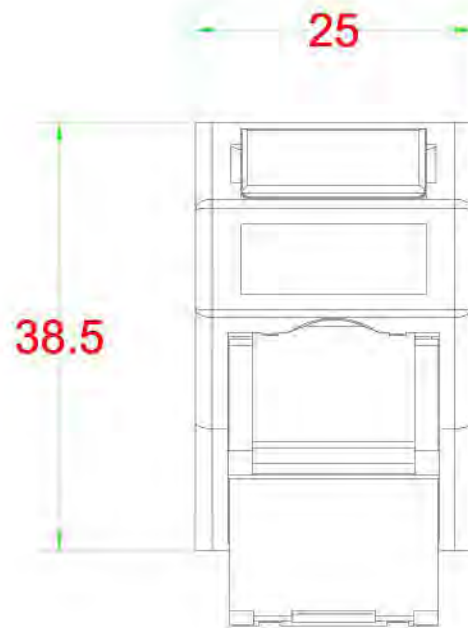
These 25 x 38 angled adaptors have been designed for use with “6C” 25x38 faceplates and POD/GOP boxes

Features

- Angled modules minimize issues with bend radius and are suitable for use with shallow backboxes or larger keystones
- Available in bright white (for faceplates and trunking) and black (for floor boxes etc)
- Supplied with an optional hinged shutter, which minimizes the effect of dust
- Accommodate keystones which protrude beyond the faceplate, such as fibre, ‘F’ type and speaker connectors
- Window and paper labelling facility
- Accommodate most keystone jacks
- Not ideal for HDMI connectors

Specifications

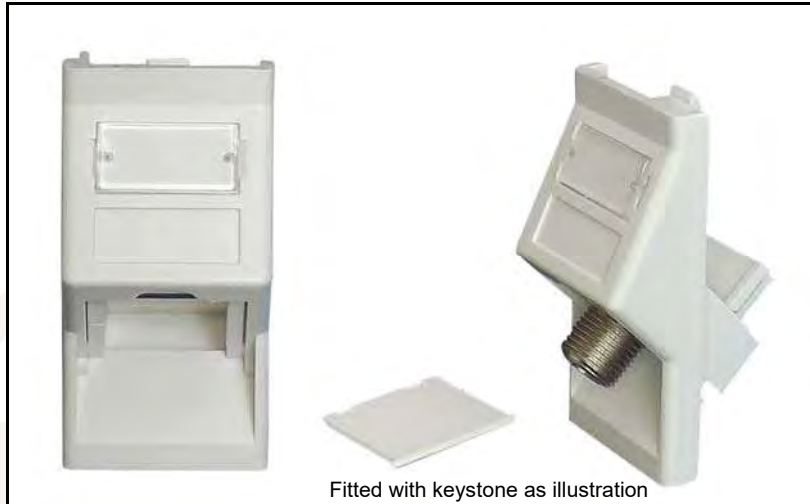
- Colour: Black (KA6-45bkep) or white (KA6-45whpep)
- Material: ABS UL94-V0
- Dimensions: 25 x 15.2 x 38.5 mm (L x W x H)
- Weight: 4g approx
- Packaging: in individual polythene bag then in packs of 20



* wh = white
bk = black

Operation temperature: $-40^{\circ}\text{C} \sim +70^{\circ}\text{C}$
Material: Fireproof ABS UL-94V0

25 x 50 Keystone Angled Faceplate Adaptor



Keystone angled faceplate adaptors 25 x 50 (KA45*ep)

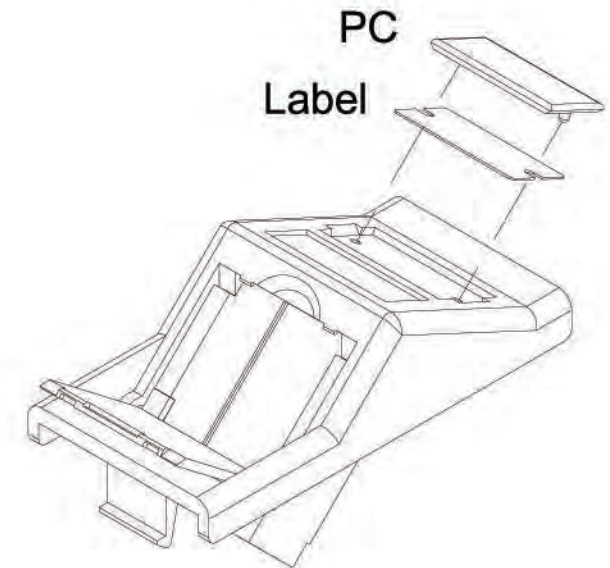
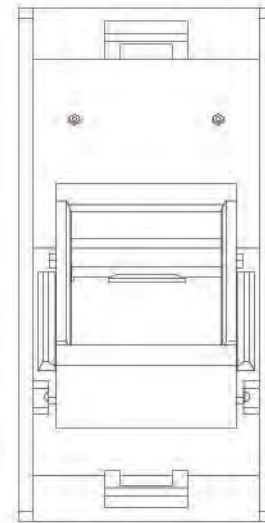
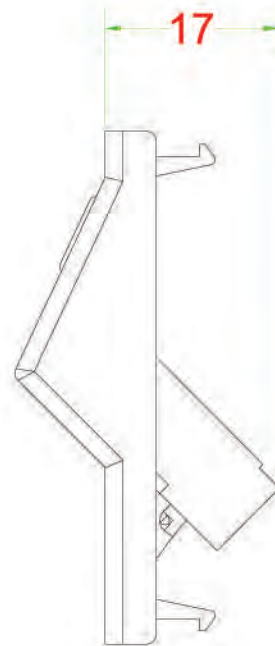
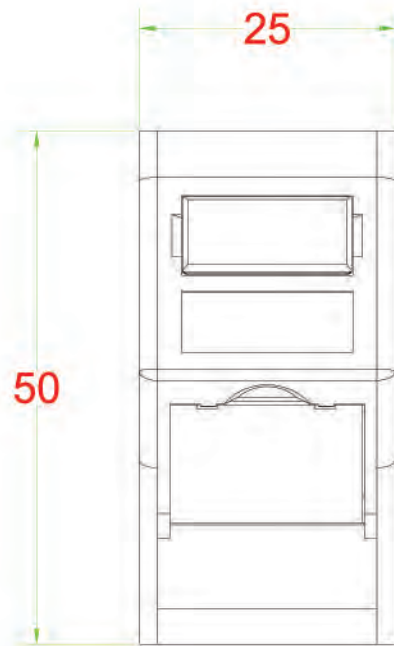
These 25 x 50 angled adaptors have been designed for use with “Euro” 25 x 50 faceplates

Features

- Angled modules minimize issues with bend radius and are suitable for use with shallow backboxes or larger keystones
- Available in bright white (for faceplates and trunking) and black (for floor boxes etc)
- Supplied with an optional hinged shutter, which minimizes the effect of dust
- Accommodate keystones which protrude beyond the faceplate, such as fibre, ‘F’ type and speaker connectors
- Window and paper labelling facility
- Accommodate most keystone jacks
- Not ideal for HDMI connectors

Specifications

- Colour: Black (KA45bkep) or white (KA45whep)
- Material: ABS UL94-V0
- Dimensions: 25 x 17 x 50 mm (L x W x H)
- Weight: 5g approx
- Packaging: in individual polythene bag then in packs of 20



* wh = white
bk = black

Operation temperature: -40°C ~ $+70^{\circ}\text{C}$
Material: Fireproof ABS UL-94V0

25 x 38 Keystone Angled Faceplate Adaptor



Keystone angled faceplate adaptor 25 x 38 (KA6-45mc)

These 25 x 38 angled adaptors have been designed for use with “6C” 25 x 38 faceplates and POD/GOP boxes

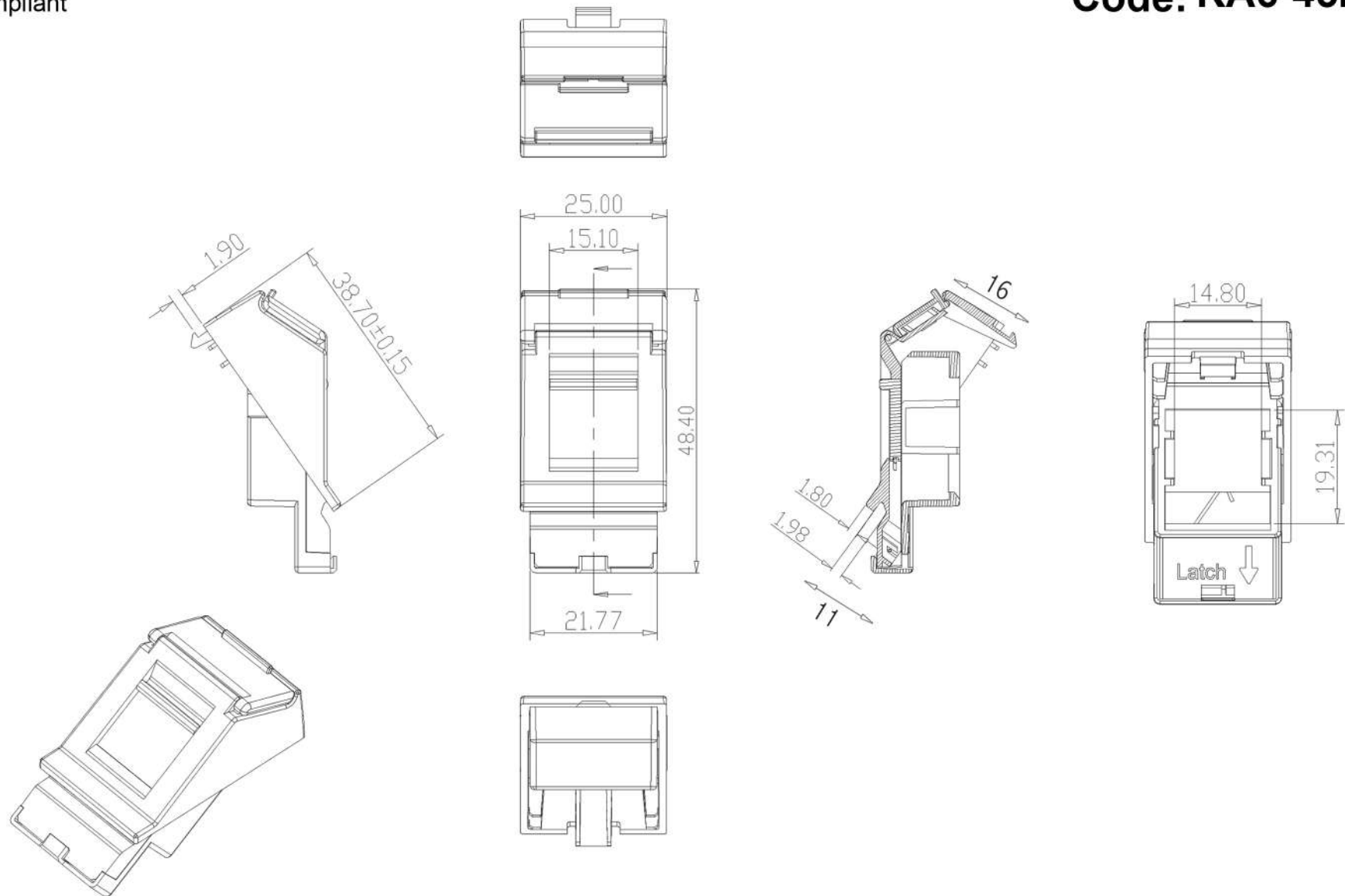
Features

- Angled modules minimize issues with bend radius and are suitable for use with shallow backboxes or deeper keystones
- Sprung shutter
- Window and paper labelling facility
- Accommodate most keystone jacks

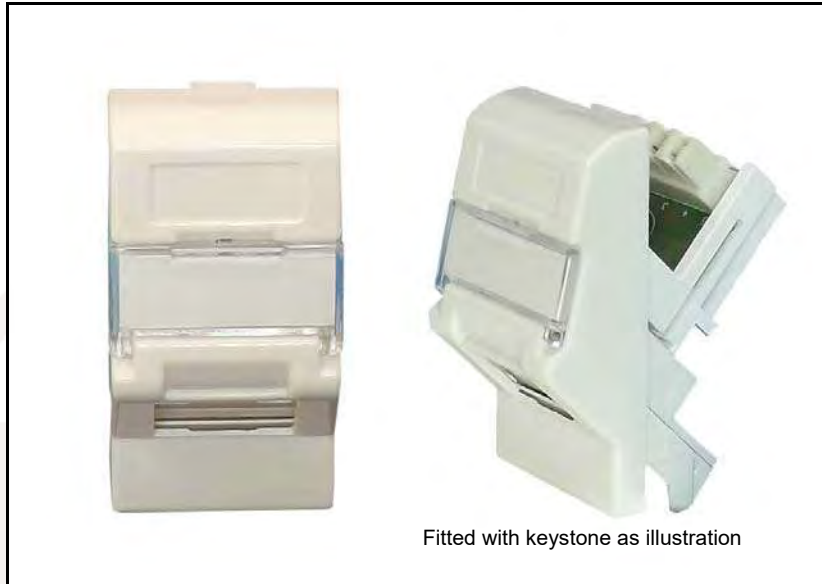
Specifications

- Colour: White (available to order in black)
- Material: ABS UL94-V0
- Dimensions: 23 x 25 x 48mm (Depth x W x H) approx. Protrudes about 16mm in front of mounting plate and 11mm behind
- Weight: 6g approx
- Packaging: in individual polythene bag then in packs of 20

ROHS Compliant



25 x 50 Keystone Angled Faceplate Adaptor



Keystone angled faceplate adaptor 25 x 50 (KA45mc)

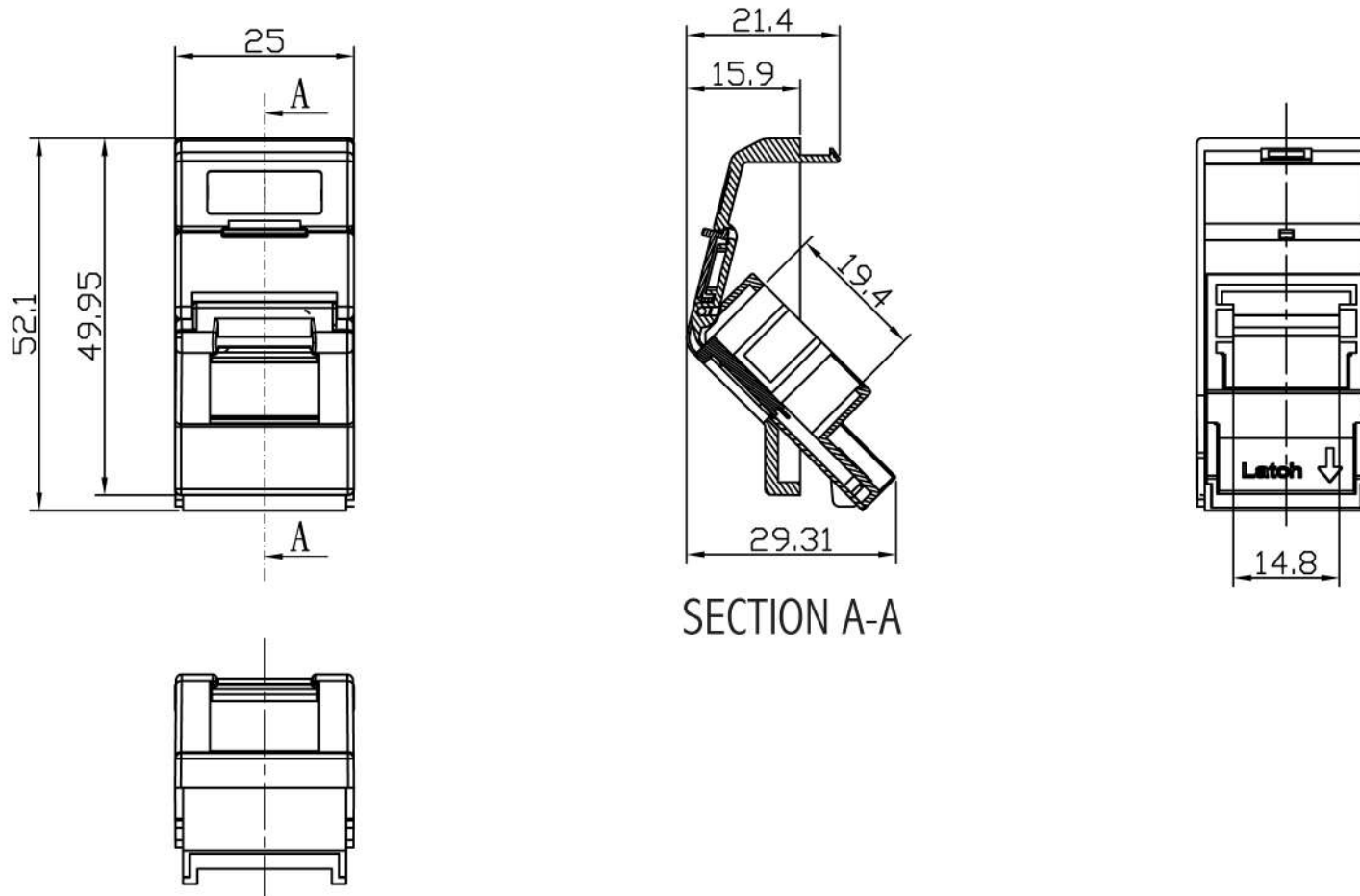
These 25 x 50 angled adaptors have been designed for use with “Euro” 25 x 50 faceplates

Features

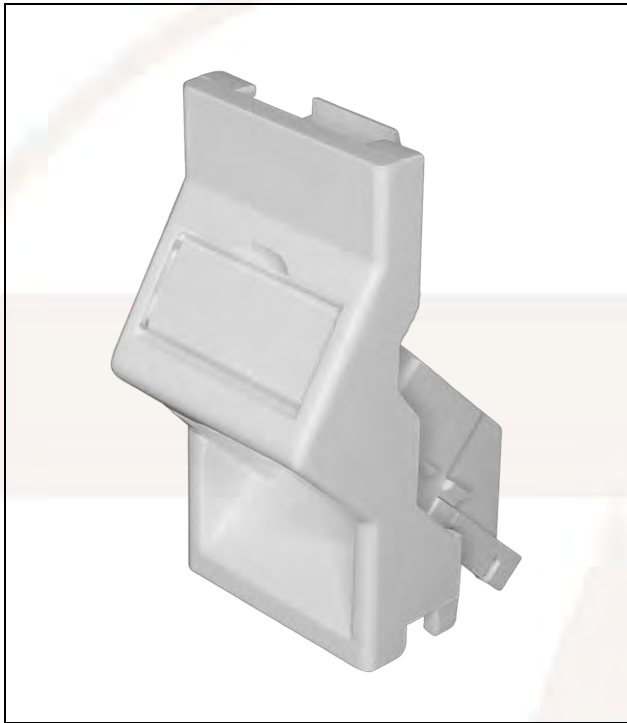
- Angled modules minimize issues with bend radius and are suitable for use with shallow backboxes or larger keystones
- Available in bright white (for faceplates and trunking)
- Sprung shutter
- Window and paper labelling facility
- Suitable of Category 5e, 6 and 6A connectors and others, such as UK voice (shown above)

Specifications

- Colour: White
- Material: ABS UL94-V0
- Dimensions: 52.1 x 25 x 29.31mm (L x W x D)
- Weight: 6g approx
- Packaging: in individual polythene bag then in packs of 20



Keystone adaptor 25x50mm, angled entry faceplate adapter



Keystone adaptor 25x50mm, angled entry, faceplate adapter (KA45whje)

These 25 x 50 angled adaptors have been designed for use with "Euro" 25 x 50 faceplates and have a built in sprung, sliding dustcover

Features:

- Angled modules minimize issues with bend radius and are suitable for use with shallow backboxes or larger keystones
- Window and paper labelling facility
- Not suitable for keystones which protrude beyond the faceplate, such as fibre, 'F' type, speaker and HDMI connectors
- Fitted with a sprung, sliding shutter, which minimizes the effect of dust

Specifications:

- Net weight (including primary packaging): 8 g #20: 168g
- Dimensions: (including primary packaging) 25x50x40mm #20: 240x170x30mm
- Colour: White
- Materials: ABS UL 94-HB

Packaging: individually poly bagged then bagged in 20's

Commodity code: 85444920

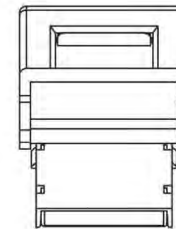
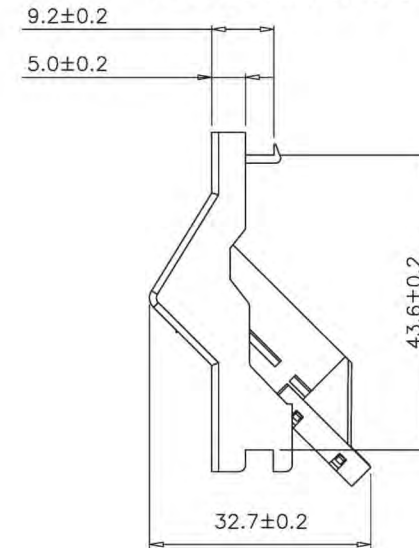
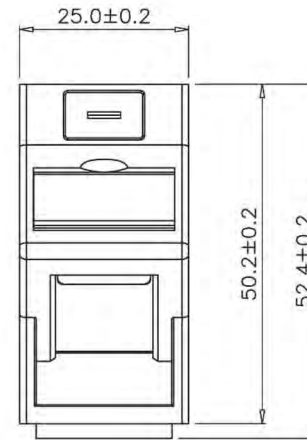
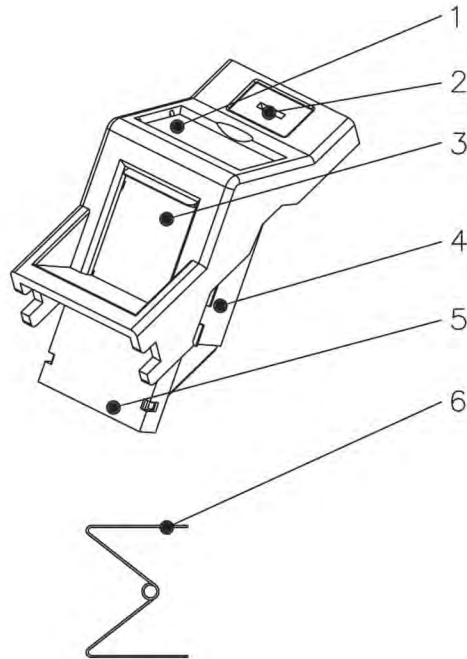
EAN: 5055386507402

Country of Origin: China

Illustrative image

ROHS Compliant

Code: KA45whje



Specification :

Material :

1. Identification :
 - 1-1. I.D. Plate : PC, UL 94V-2
 - 1-2. Paper.
2. ABS, UL 94-HB, with white color.
3. ABS, UL 94-HB.
4. ABS, UL 94-HB.
5. ABS, UL 94-HB.
6. Stainless steel.

GENERAL
TOLERANCE
OF DIMENSIONS

X.XXX ±0.005
X.XX ±0.05
X.X ±0.1

Unit: mm

25 x 38 '6C' Keystone Angled Adaptors



Keystone angled faceplate adaptor 25 x 38 (KA6-45su)

These 25 x 38 angled adaptors have been designed for use with "6C" 25x38 faceplates and POD/GOP boxes

Features

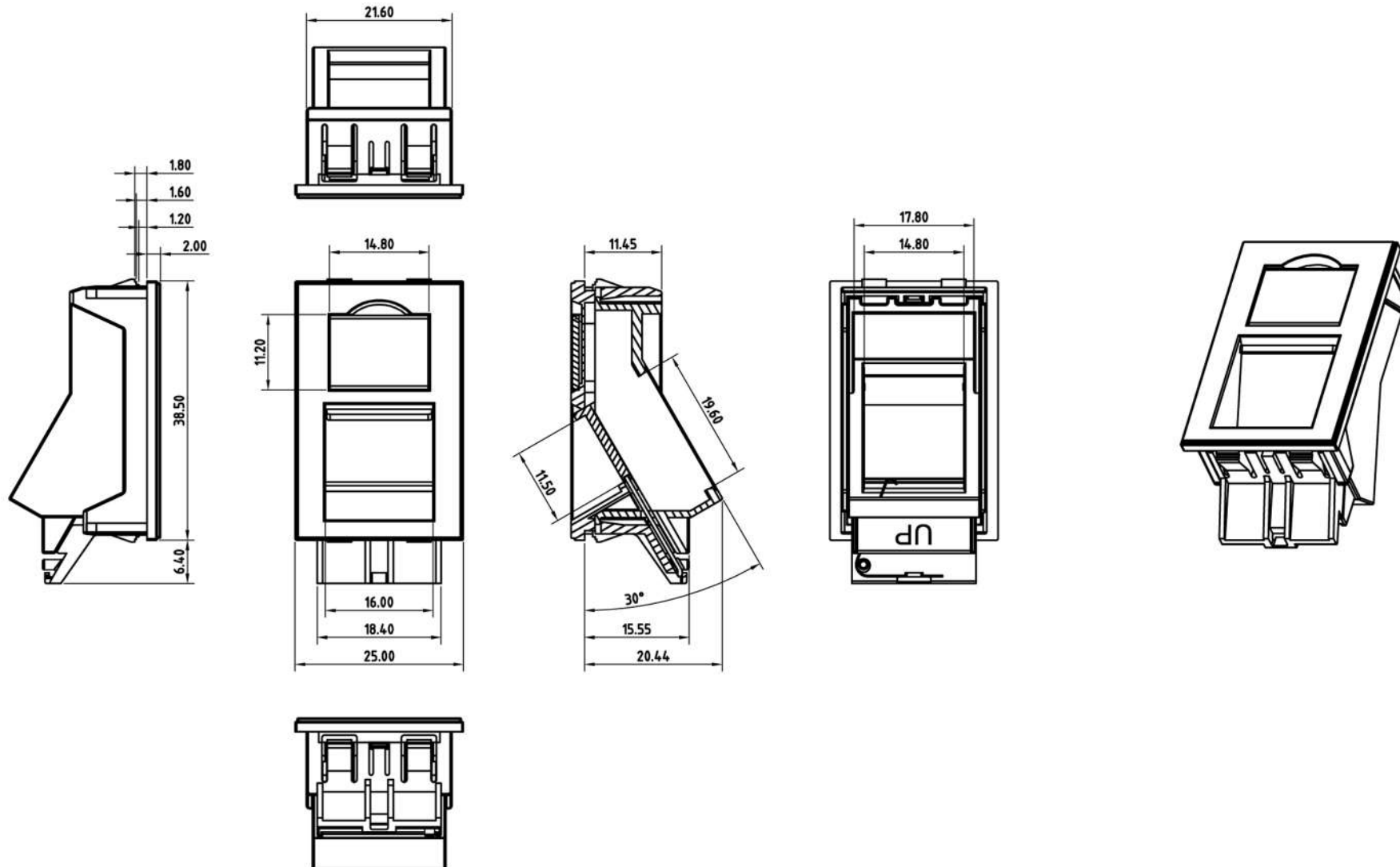
- Angled modules minimize issues with bend radius and are suitable for use with shallow backboxes or larger keystones
- Sprung shutter
- Window and paper labelling facility
- Accommodate most keystone jacks

Specifications

- Colour: White (available to order in black)
- Material: ABS UL94-V0
- Dimensions: 25 x 38 x 22.3mm (L x W x H)
- Weight: 5g approx.

ROHS Compliant

Code: KA6-45su



Keystone Faceplate Adaptor



Keystone faceplate adaptor (KA90y)

These straight through adaptors have been designed for use in standard “Euro” 25 x 50 faceplates which easily connect into industry standard trunking, wall or floor box installations.

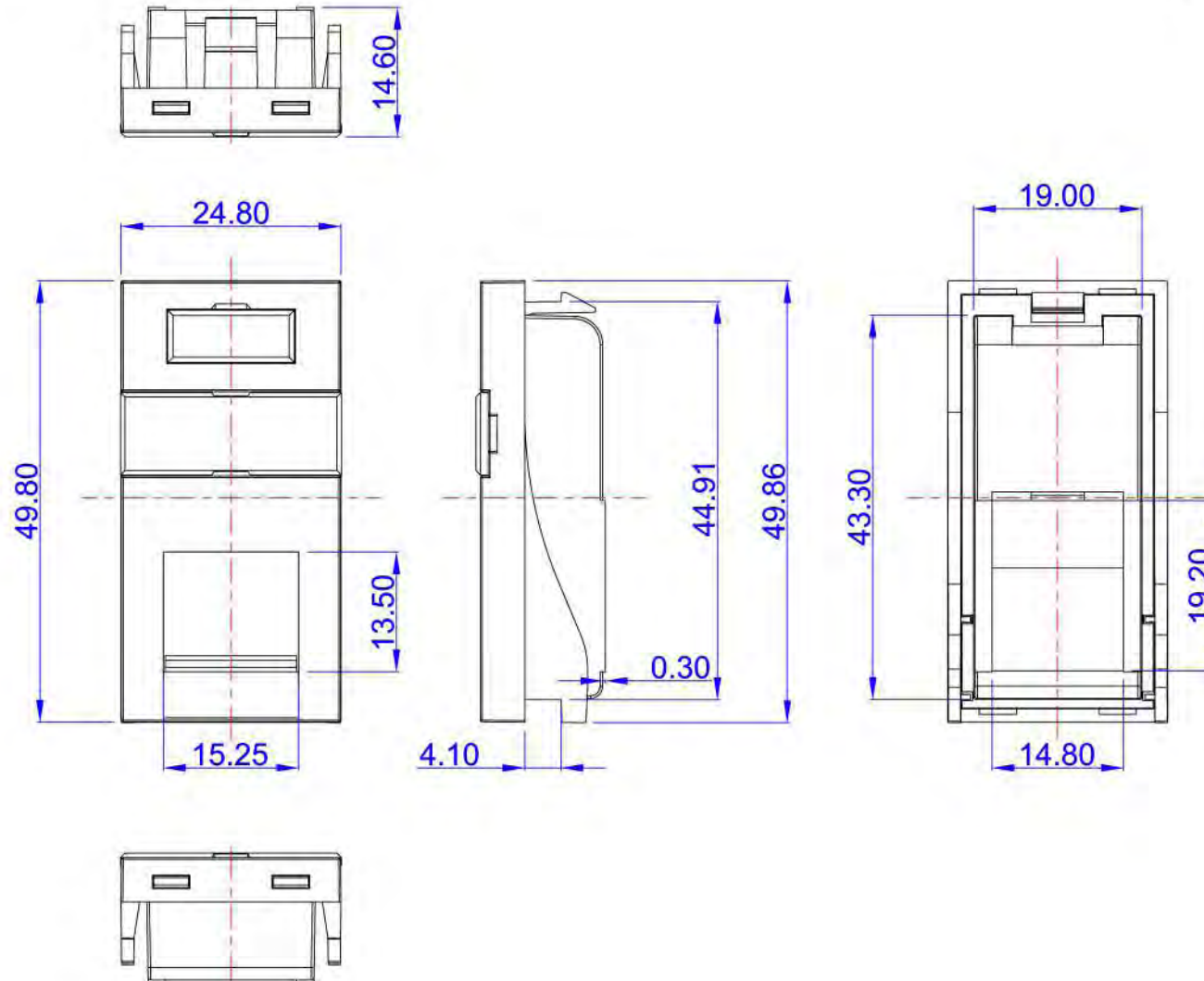
Features

- Sprung shutter
- Window and paper labelling facility
- Accommodate most keystone jacks

Specifications

- Colour: White (available to order in black)
- Material: ABS UL94-V0
- Dimensions: 24.8 x 49.8 x 14.6mm (W x H x D)
- Weight: 8g approx
- Packaging: in individual polythene bag then in packs of 20

ROHS Compliant

Code: KA90y

Keystone Faceplate Adaptor



Keystone faceplate adaptor (KA90cav)

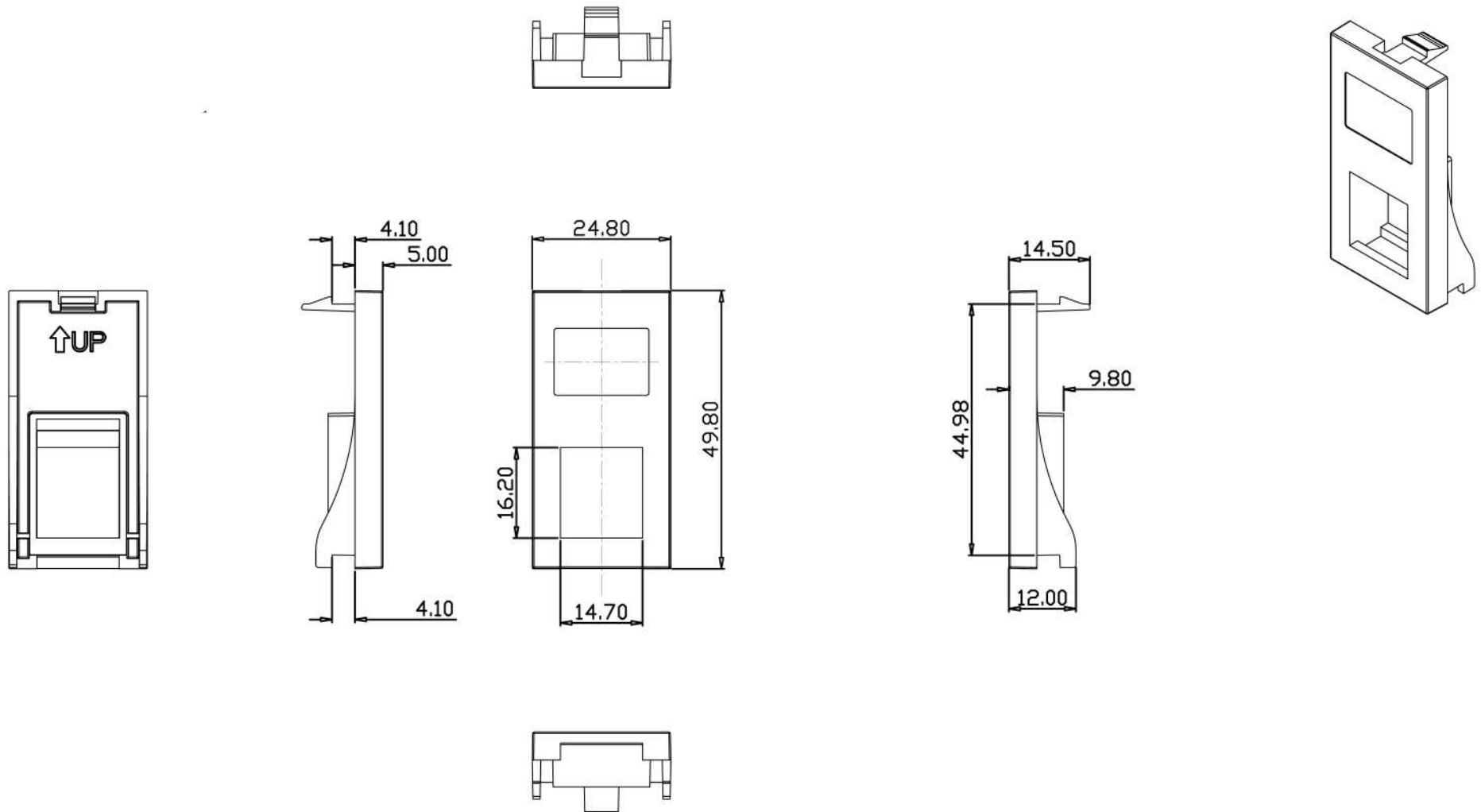
These straight through adaptors have been designed for use in standard “Euro” 25 x 50 faceplates which easily connect into industry standard trunking, wall or floor box installations.

Features

- Labelling facility
- Accommodate most keystone jacks including those which protrude beyond the faceplate, such as fibre, ‘F’ type and speaker connectors
- Suitable for HDMI connectors

Specifications

- Colour: White (available to order in black)
- Material: ABS UL94-V0
- Dimensions: 24.8 x 49.8 x 14.5mm (W x H x D)
- Weight: 4g approx
- Packaging: in individual polythene bag then in packs of 20



Packaging: Individually poly bagged and then bagged in 20s

Commodity code: 84733020

EAN Numbers:

KA645Whpt – 5055386510228

KA645Bkpt – 5055386510235

Country of Origin: China



27/09/2022