

Product Overview



Features

-
-
-
-
-
-
-
-
-
-

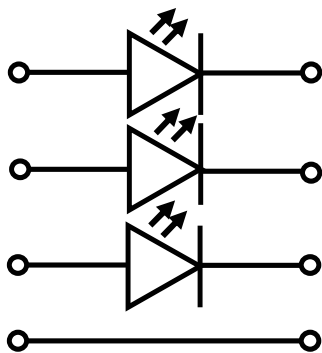
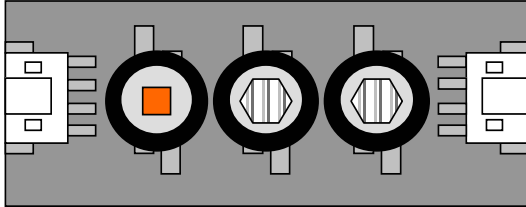


Typical Applications

-
-
-
-
-
-
-
-
-
-

Specifications

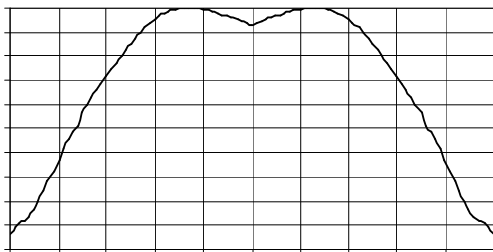
Mechanical



Electrical

Environmental

Notes



-
-
-

