

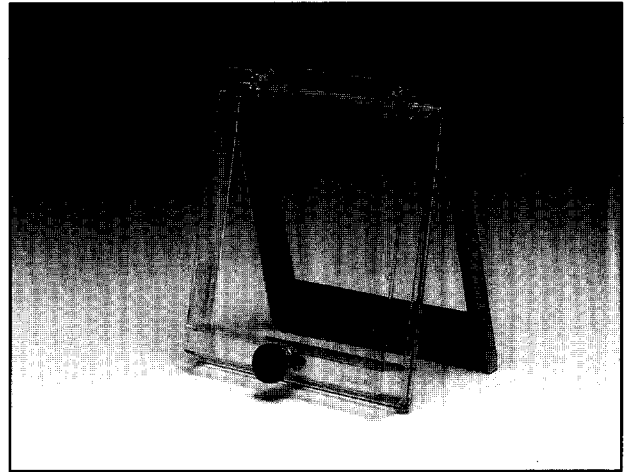
Watertight Cover

Y92A-__N

Ideal for Food Processing Machines or Other Applications that Require Watertightness

Four sizes (96 x 96, 72 x 72, 48 x 96, 48 x 48) are available.

Conforms to IP66 or NEMA4 (indoors).



Ordering Information

Model	Y92A-96N	Y92A-72N	Y92A-49N	Y92A-48N
Size	96 x 96 mm	72 x 72 mm	48 x 96 mm	48 x 48 mm

Materials

Front cover	94V-2 polycarbonate
Packing	Chloroprene rubber
Panel	SUS304

Applicable OMRON Products

Temperature Controller

ES100, E5-X, E5-W, E5-S, E5-J, E5C2

Timer

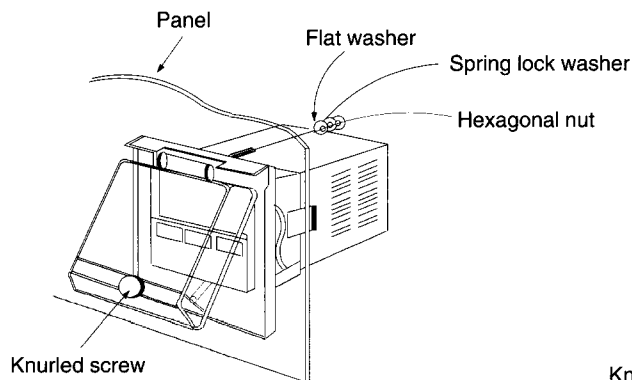
H3CR, H3B, H3CA, H5CR, H2C, H5CL, H5CN, H5BR

Counter

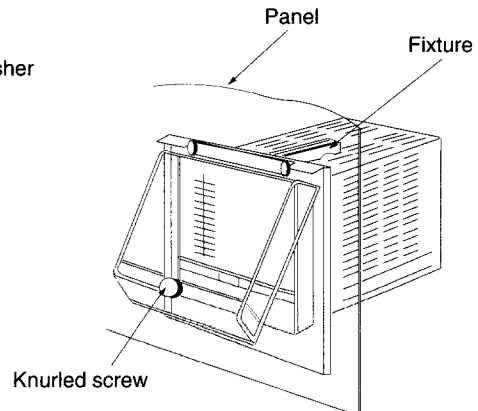
H8CA-S, H7CR, H8PS, H7BR, H7CL, H7AN, H7CN

Nomenclature

48 x 48 mm



96 x 96/72 x 72/48 x 96 mm

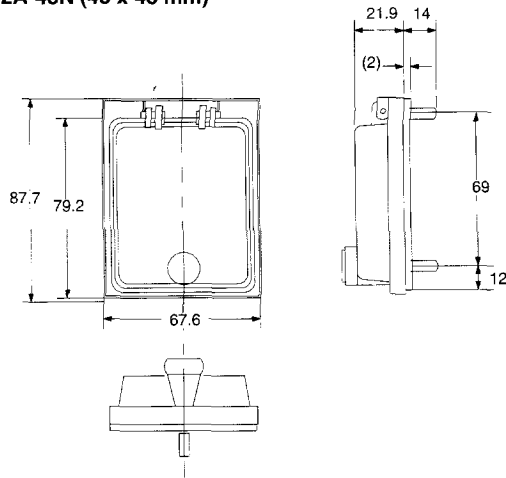


Note: Tighten the knurled screw to a torque of 0.03 N ■ m (3 kgf ■ cm) and the hexagonal nut to a torque of 0.05 N ■ m (5 kgf ■ cm).

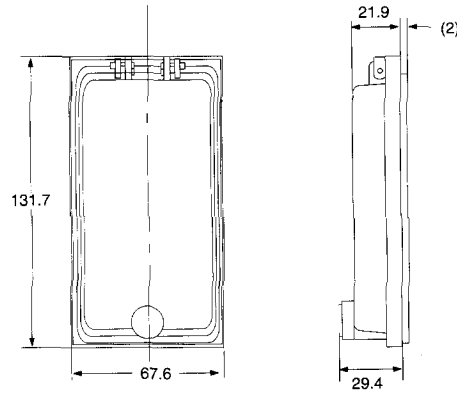
Dimensions

Note: All units are in millimetres unless otherwise indicated.

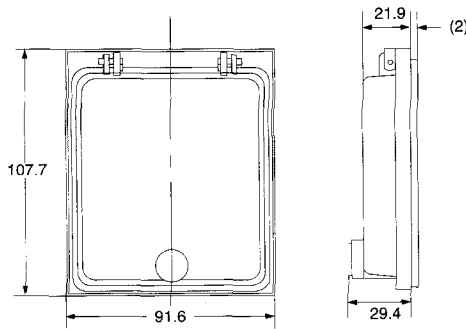
Y92A-48N (48 x 48 mm)



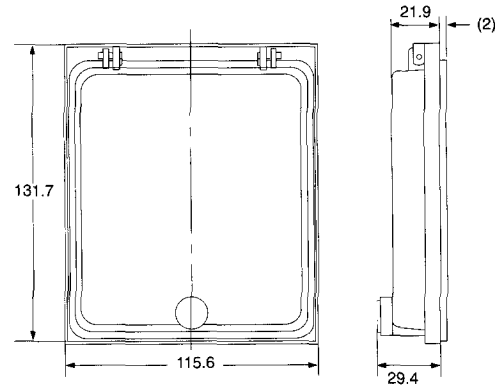
Y92A-49N (48 x 96 mm)



Y92A-72N (72 x 72 mm)

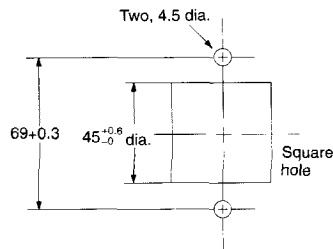


Y92A-96N (96 x 96 mm)



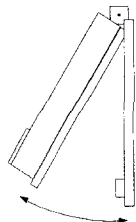
Panel Cutout

Y92A-48N (48 x 48 mm)



Precautions

It is possible to open or close the front cover by loosening or tightening the knurled screw.



Regularly check the packing, the quality of which will deteriorate over the process of time.

The front cover can be mounted in any direction.

Be sure to take the space required for the opening and closing of the front cover into consideration when installing the Watertight Cover.

The front cover is made of polycarbonate, which can be cleaned using water, methanol, or ethanol.

