

Docu.No. : DS01946 E

1/4

Mitutoyo

K-12

Product Outline (Illustration etc)

File: 12-4-10

1. Product concept

Easy operation with three large button specifications and further expansion of the display to improve the visibility.

The simple calculation function was installed, so that the measurement function was strengthened.

2. Features

- (1) The equipped absolute sensor eliminates the requirement of cumbersome origin point alignment every time at power-on.
- (2) Improvement of operativeness and visibility.
 - Easy operation with three large button specifications.
 - Further expansion of the display to improve the visibility (area for character is expanded approx. 1.5 times)
- (3) New Function
 - The simple calculation function (f(x)=Ax) was installed, so that the measurement function was strengthened.
 - The function lock prevents mis-operation.
 - The data hold and data output function was added, so that the data control function was strengthened.
 - The resolution is selectable.
- (4) Expanded lifting function improves
 - Dial indicator of type-S and a common lifting lever (option) achieve smooth operation.
 - Option setting of lifting knob.
- (5) Inspection certificate is attached

Code No. list

prod.start	code No.	Model No.	Mass Net(g) (w/Case(g))	Bar code Registered No.	Remark
'08-8	543-390	ID-C112X	170g (280g)	4946368586465	Replacement for 543-250,543-290
	543-390B	ID-C112XB		4946368586472	Replacement for 543-250B,543-290B
	543-391	ID-C112MX		4946368586489	Replacement for 543-251,543-291
	543-391B	ID-C112MXB		4946368586496	Replacement for 543-251B,543-291B
	543-392	ID-C112EX		4946368586502	Replacement for 543-252,543-293,543-292
	543-392B	ID-C112EXB		4946368586519	Replacement for 543-252B,543-293B,543-292B

Rev.	Date	Contents of change	Sign	HQ PCD Recognition Date	Sign
△					
△					

Features

Export Control (Listed) : Yes / (No)		Control Screening Sheet STCD No.					Export Control type : A B C (D)		
Nakatsugawa Plant	HQ STCD	HQ PCD	prod. start	code No. Parts No.	Model No.	Mass Net(g) (w/Case(g))	Bar code Registered No.	Remark	
福井 古石 古田 福井 古石 古田	MSCS-0056	HQ PCD					4946368		
Issued '08. 5. 15	Issued '08. 5. 27	Issued '08. 5. 27					4946368		
							4946368		
							4946368		

<p>Product Specification</p> <p>Revision No. <u>ST-1680 (1/4)</u></p>	<p>Product Name</p> <p><u>Digimatic Indicator ID-C112X</u></p>	<p>Ignited Dangerous articles: Yes (No)</p> <p>Country of Origin: <u>Japan</u></p> <p>Parts list issued: <u>'08/8</u></p>
--	---	---

3. Specifications

Code No. ※1	543-390	543-390B	543-391	543-391B	543-392	543-392B
Model name	ID-C112X	ID-C112XB	ID-C112MX	ID-C112MXB	ID-C112EX	ID-C112EXB
Measuring range	12.7mm = .5"					
Resolution	0.001mm / 0.01mm (selectable)		.00005" / .0001" / .0005" 0.001mm / 0.01mm (selectable)			
Overall(20℃)※2	0.003mm		±.00010" / 0.003mm			
Hysteresis(20℃)※2	0.002mm		.00010" / 0.002mm			
Repeatability(20℃)※2	0.002mm		.00010" / 0.002mm			
Stem-Contact point type	ISO/JIS type				AGD type	
Stem diameter	φ8mm				φ9.52mm=.375"DIA	
Contact point	Carbide(M2.5x0.45)				Carbide(No.4-48UNF)	
Common Specification						
Protection class ※3	Equivalent to IP-42					
Measuring force	15N or less					
Useful plunger direction	in all directions					
Power supply	Silver oxide cell(SR44) 1pc.					
Battery life	Approx. 7,000hours in continuous service					
Detection method	Capacitance-type Absolute-linear-encoder					
Quantizing error	±1count					
Operating temperature	0℃~40℃					
Storage temperature	-10℃~60℃					
Net weight	170g					
One piece box weight (gross)	280g					
One piece box size WxDxH	189x105.5x72					
Interface						
L.C.D.	7segments 6digits decimal numeric with minus sign, in/mm · Tolerance judge indication Reverse indication, Presel indication,					
Operation keys	MODE : I Press short I Switching the unit between inch and mm (only for inch spec) I Press and hold I Parameters setting mode SET : Switching the measurement system(ABS*INC). In setting mode, decision switch. DATA-ON/OFF : DATA output, Display value HOLD, Power ON/OFF					
Alarms	Battery down, Over flow, Limit set error, Arithmetic coefficients set error, Sensor solid error.					
Output	Digimatic code-out					

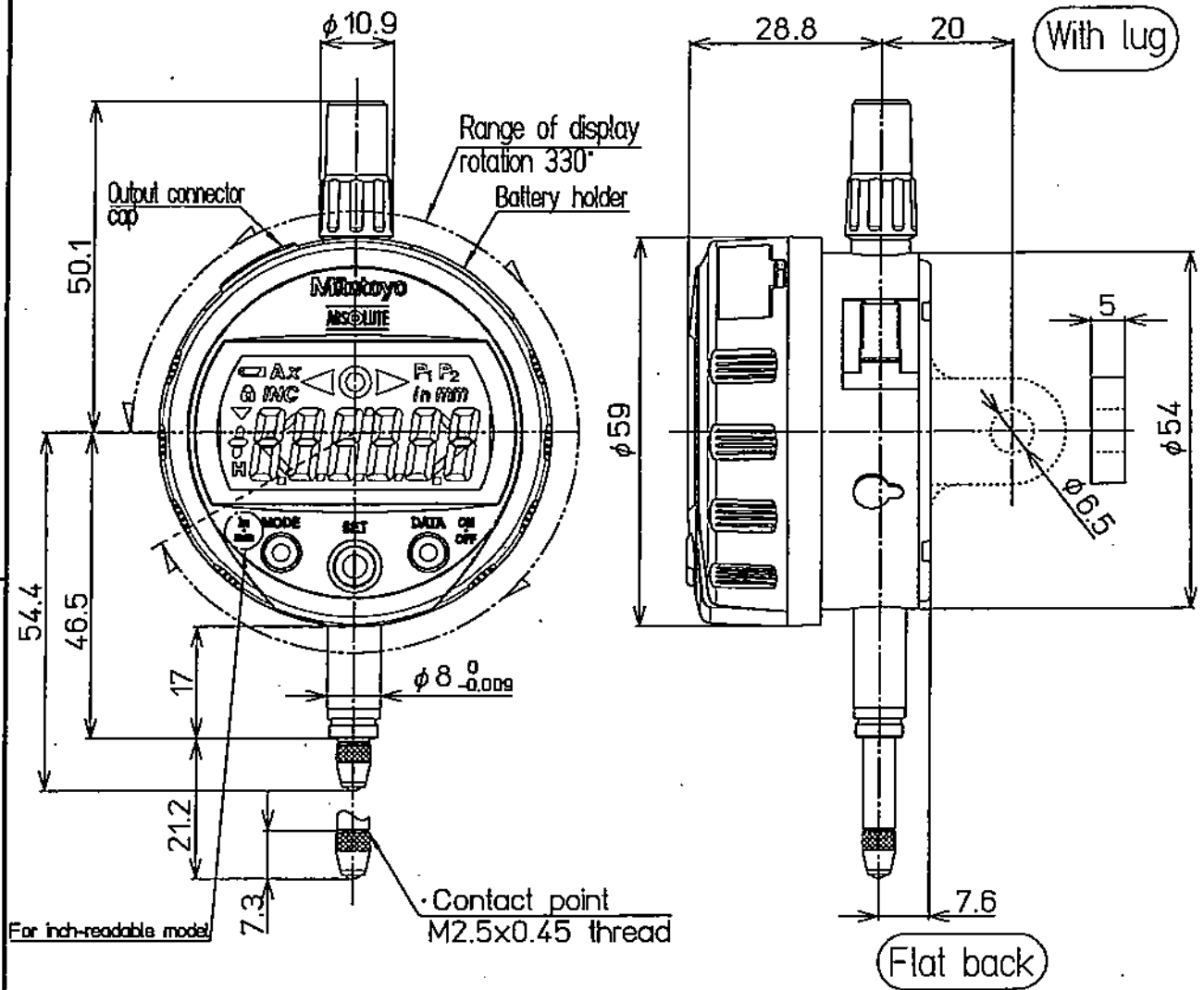
※1. The flat back models have a suffix 'B' to the Order Numbers. Or with-center-lug back model have not one.
 ※2. Not including the quantizing error.(when not setting the calculation function.)
 ※3. A protection class indication (IP=International Protection) is based on the IEC 60529/DIN40050 part 1/JIS D0207
 C0920. The level indicated is valid only if the output connector cap is installed.
 ※4. When data processors not Connection

Standard accessories	Optional accessories	Data processors
User's Manual: No.99MAH025B	Lifting lever(mm) : No.21EZA198	264-504 DP-1VR : Digimatic mini-processor
Quick Reference Manual: No.99MAH028B	Lifting lever(inch) : No.21EZA199	264-002 MUX-10F : Multiplexer
SR-44(1pc.) : No.938882	Lifting cable : No.540774	542-007 EC-101D : Display unit
Certificate of inspection	Lifting knob(mm) : No.21EZA105	264-012-10 IT-012U : Input tool(USB)
	Lifting knob(inch) : No.21EZA150	264-005 IT-005D : Input tool(PS/2)
	Connecting cable(1m) : No.905338	264-007 IT-007R : Input tool(RS-232C)
	Connecting cable(2m) : No.905409	

△							
△							
Rev.	Date	Contents of change			Sign	ISO PCD Recognition Date	Sign

Product Specification	Product Name
Revision No. <u>ST-1680 (2/4)</u>	<u>Digimatic Indicator ID-C112X</u>

ISO/JIS Type



For inch-readable model

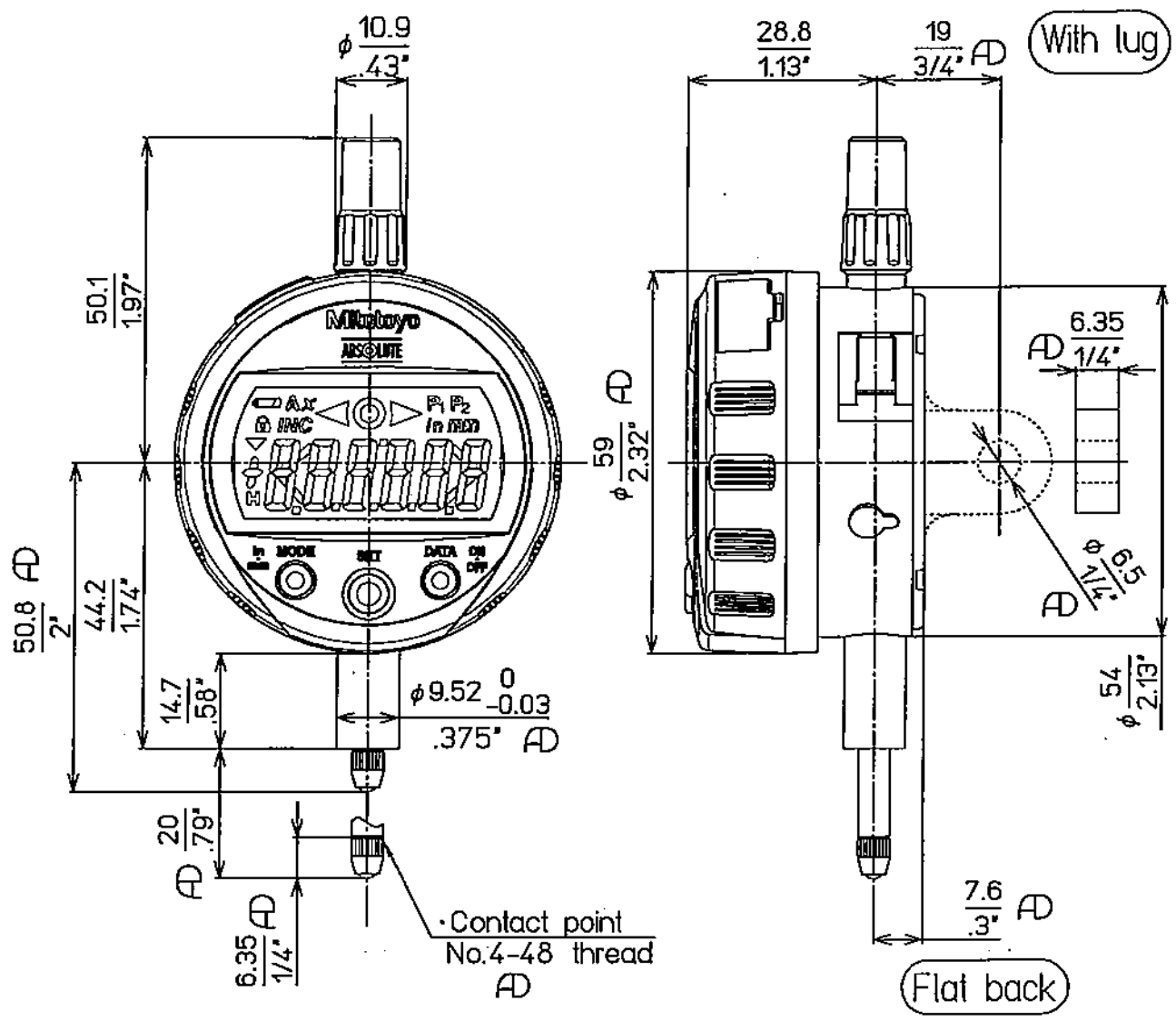
▲					
▲					
Rev.	Date	Contents of change	Sign	HQ PCD Recognition Date	Sign

New Product Specification
 Revision No. ST-1680 (3/4)

Product Name
Digimatic Indicator ID-C112X

Docu.No. : DS01946 E	4/4	Mitutoyo	K-10
No.	Product Outline(illustration,Features,etc)		File: 10-4-10

AGD Type



* AD is the symbol American Gage Design (AGD).
 It meaning of conformance to appropriate dimensions of
 Dial Indicators in ASME/AGD 2, and it have interchangeability.
 Only applicable to model with suffix E.

△					
△					
Rev.	Date	Contents of change	Sign	HO PCO Recognition Date	Sign

New Revision No. <u>ST-1620 (4/4)</u>	Product Specification	Product Name
		Digimatic Indicator ID-C112X