

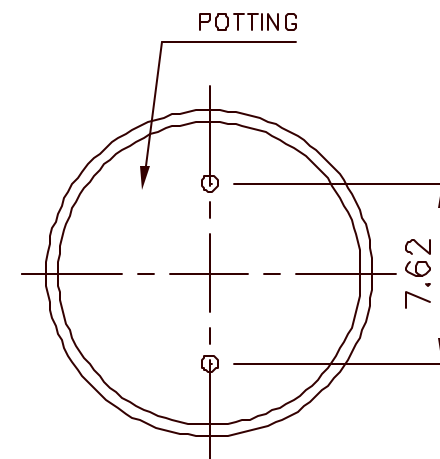
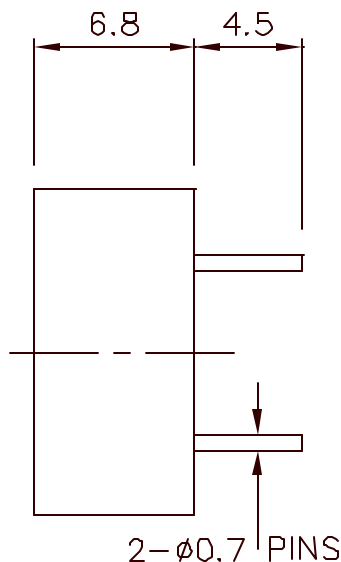
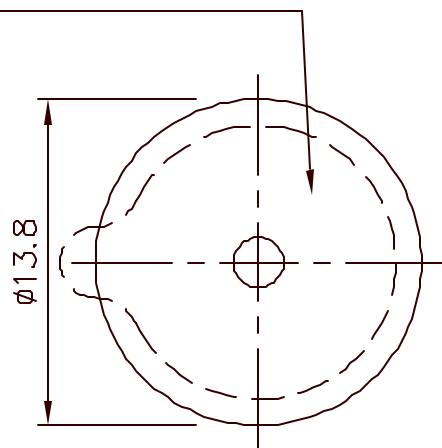
SPECIFICATIONS

PARAMETERS	VALUES	UNITS
Rated Voltage (Square Wave)	5	Vp-p
Operating Voltage	1 ~ 20	Vp-p
Rated Current (max.)	1	mA
Typical Sound Pressure Level @ 10 cm.	85	dBA
Resonant Frequency	3800	Hz
Capacitance	13,000±30%	pF
Operating Temperature Range	-20 ~ +60	°C
Storage Temperature Range	-30 ~ +70	°C
Housing Material	Noryl SEI Gray	
Weight	1	g

REVISIONS

LTR	DESCRIPTION	DATE	APPROVED
-	RELEASED FROM ENGINEERING	6/23/99	
A	ADDED ELECTRICAL SPECIFICATION	06/17/02	S. J.

REMOVABLE TAB FOR  
WAVE SOLDERING  
AND WASHING



NOTES:

1. ALL DIMENSIONS ARE IN MILLIMETERS.
2. SPECIFICATION SUBJECT TO CHANGE OR WITHDRAWAL WITHOUT NOTICE.

DRAWING NAME  
AT17

UNLESS OTHERWISE SPECIFIED  
DIMENSIONS ARE IN MILLIMETERS  
TOLERANCES ARE:  
FRACTIONS DECIMALS ANGLES  
± .XX ± 0.5 ±  
XXX ±

APPROVALS	DATE
DRAWN TMM	6/99
CHECKED	
APPROVED S. J.	06/23/99
DO NOT SCALE DRAWING	



projects®  
unlimited

Dayton, Ohio

SUB-MINIATURE PIEZO  
CERAMIC AUDIO TRANSDUCER  
AT-17

SIZE	MATERIAL	DRAWING NO.
A		AT17.DWG
NOT TO SCALE	MAX. WT.	SHEET 1 OF 1