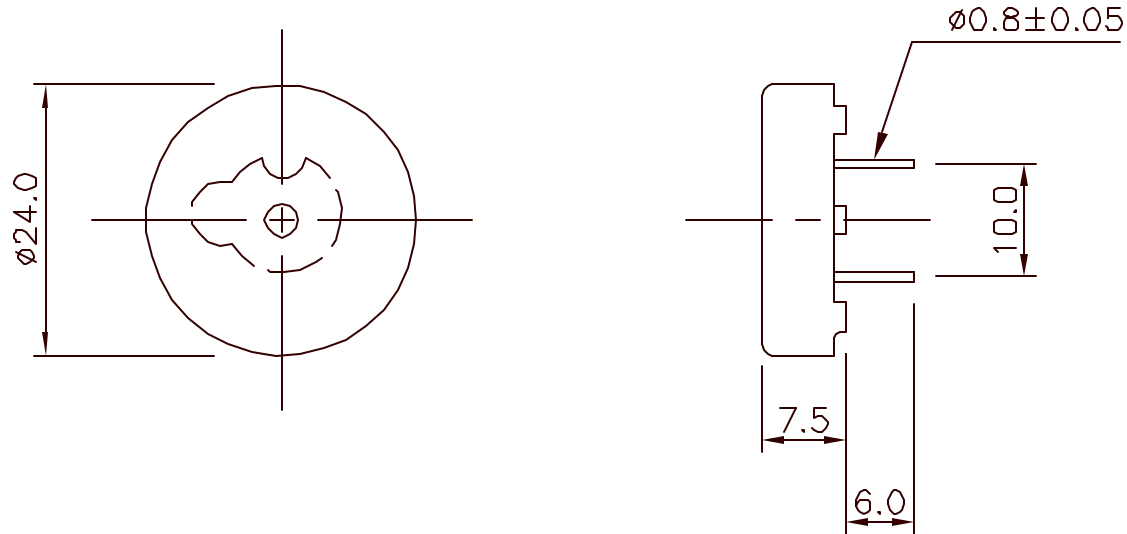


SPECIFICATIONS

PARAMETERS	VALUES	UNITS
Rated Voltage (Sine Wave)	3	V _{p-p}
Operating Voltage Range	1 ~ 30	V _{p-p}
Rated Current (max.)	1	mA
Typical Sound Pressure Level @ 10 cm	85	dBA
Resonant Frequency	4000	Hz
Capacitance	21,000±30%	pF
Operating Temperature Range	-20 ~ +60	°C
Storage Temperature Range	-30 ~ +70	°C
Housing Material	ABS Black	
Terminal	Tin-Plated Brass Pins	
Weight	3.2	g

REVISIONS			
LTR	DESCRIPTION	DATE	APPROVED
-	RELEASED FROM ENGINEERING	2/14/00	RABL
A	REMOVED "K" IN PART NUMBER; ADDED HOUSING & PIN MATERIAL	3/04/02	S.J.



NOTES:

1. ALL DIMENSIONS ARE IN MILLIMETERS.
2. SPECIFICATION SUBJECT TO CHANGE OR WITHDRAWAL WITHOUT NOTICE.

DRAWING NAME
AT20

<small>UNLESS OTHERWISE SPECIFIED DIMENSIONS ARE IN MILLIMETERS TOLERANCES ARE: FRACTIONS DECIMALS ANGLES ± .XX ± 0.3 ± XXX ±</small>		projects[®] unlimited		Dayton, Ohio
APPROVALS DRAWN <i>TMM</i> 2/14/00 CHECKED <i>RABL</i> 2/16/00 APPROVED		PIEZO CERAMIC AUDIO TRANSDUCER AT-20		
DATE		SIZE A	MATERIAL	DRAWING NO. AT20.DWG
DO NOT SCALE DRAWING		SCALE N/A	MAX. WT.	SHEET 1 OF 1