

ISG Series



- Regulated Single Output
- SMD Package
- Industry Standard Pinout
- 1000 VDC Isolation
- Short Circuit Protection
- MTBF >3.5 Mhrs
- 3 Year Warranty

Specification

Input

- Input Voltage Range • Nominal $\pm 5\%$
- Input Reverse Voltage Protection • None

Output

- Output Voltage • See table
- Minimum Load • 10%
- Line Regulation • $\pm 0.25\%$
- Load Regulation • $\pm 1\%$, 10-100% load change
- Setpoint Accuracy • $\pm 3\%$ at 100% load
- Ripple & Noise • 100 mV pk-pk 20 MHz bandwidth
- Temperature Coefficient • $0.03\%/^{\circ}\text{C}$
- Short Circuit Protection • Continuous

General

- Efficiency • See table
- Isolation Voltage • 1000 VDC
- Isolation Resistance • $10^9 \Omega$
- Switching Frequency • 100 kHz typical at nominal input, full load
- MTBF • >3.5 Mhrs to MIL-HDBK-217F at 25 °C, GB

Environmental

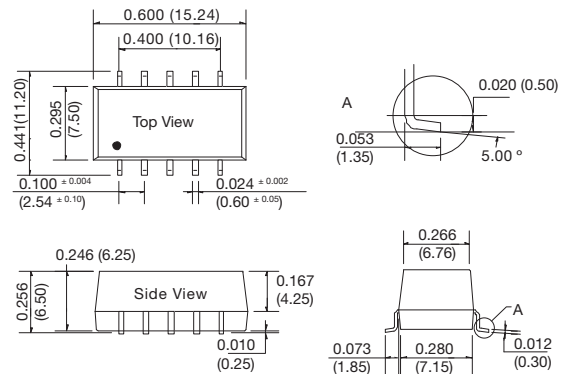
- Operating Temperature • -40°C to $+85^{\circ}\text{C}$, derate from 100% load at 70°C to 60% load at 85°C
- Storage Temperature • -55°C to $+125^{\circ}\text{C}$
- Case Temperature • 100°C max
- Cooling • Convection-cooled
- Lead Temperature • 260°C , 0.06 in (1.5 mm) from case, 10 s

Input Voltage	Output Voltage	Output Current	Efficiency (typ)	Model Number ⁽¹⁾
5 VDC	5 V	150 mA	68%	ISG0505A
	12 V	83 mA	69%	ISG0512A
	15 V	67 mA	69%	ISG0515A
12 VDC	5 V	150 mA	68%	ISG1205A
	12 V	83 mA	69%	ISG1212A
	15 V	67 mA	70%	ISG1215A

1. For optional '-X' pin configuration, add suffix '-X' to part number.

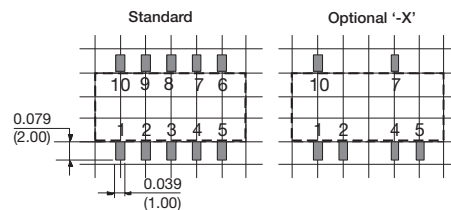
Mechanical Details

Weight: 0.003 lbs (1.7 g)



Recommended footprint

Top view grid: 0.1 x 0.1 in (2.54 x 2.54 mm)



Pin	Standard	'-X' Version
1	GND	GND
2	Vin	Vin
4	0 V	0 V
5	+Vo	+Vo
3,6,7	N.C.	No Pin
8	N.C.	N.C.

N.C. Not connected

Notes

Dimensions in inches (mm)
Tolerance: ± 0.010 (± 0.25)

Pin tolerance: ± 0.004 (± 0.10 mm)