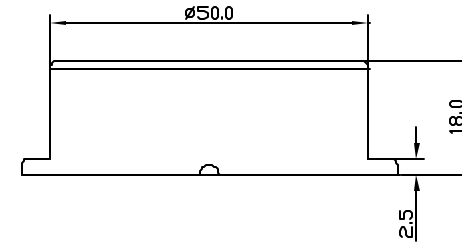
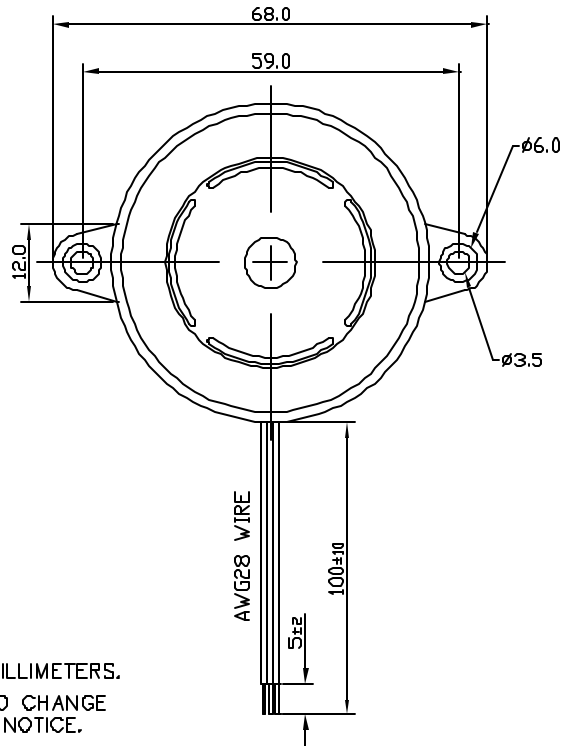


THIS DOCUMENT CONTAINS DATA PROPRIETARY TO PROJECTS UNLIMITED, INC. ANY REPRODUCTION IN ANY FORM WITHOUT PRIOR WRITTEN PERMISSION OF PROJECTS UNLIMITED, INC IS PROHIBITED.

### SPECIFICATIONS

PARAMETERS	VALUES	UNITS
Rated Voltage	12	Vdc
Operating Voltage	3 ~ 15	Vdc
Rated Current (max. at 12Vdc)	150	mA
Sound Pressure Level (min.) @ 10 cm. Peak	125	dBA
Operating Frequency	2000 ~ 4000 Sweep	Hz
Tone	Siren	
Operating Temperature Range	-20 ~ +60	°C
Storage Temperature Range	-30 ~ +70	°C
Housing Material	ABS	
Terminal	Lead Wires	
Weight (Max.)	34	g

REVISIONS			
LTR	DESCRIPTION	DATE	APPROVED
-	RELEASED FROM ENGINEERING	1/27/03	



NOTES:

1. ALL DIMENSIONS ARE IN MILLIMETERS.
2. SPECIFICATION SUBJECT TO CHANGE OR WITHDRAWAL WITHOUT NOTICE.
3. WIRE COLOR CODE: RED(+), BLACK(-) & WHITE(CONTROL- HI: OFF, LOW: ON)

FILE NAME  
XL-1700.DWG

<small>UNLESS OTHERWISE SPECIFIED DIMENSIONS ARE IN MILLIMETERS TOLERANCES ARE: FRACTIONS DECIMALS ANGLES ± .XX ± 0.5 ± .XXX ±</small>		projects® unlimited Dayton, Ohio	
APPROVALS _____ DATE _____ DRAWN <i>B.W.</i> 1/03 CHECKED _____ APPROVED <i>S.J.</i> 1/27/03		AUDIO INDICATOR XL-1700	
SIZE A	MATERIAL	DRAWING NO. XL-1700	
SCALE N/A	MAX. WT.	SHEET 1 OF 1	
<input checked="" type="checkbox"/> NOT SCALE DRAWING			