

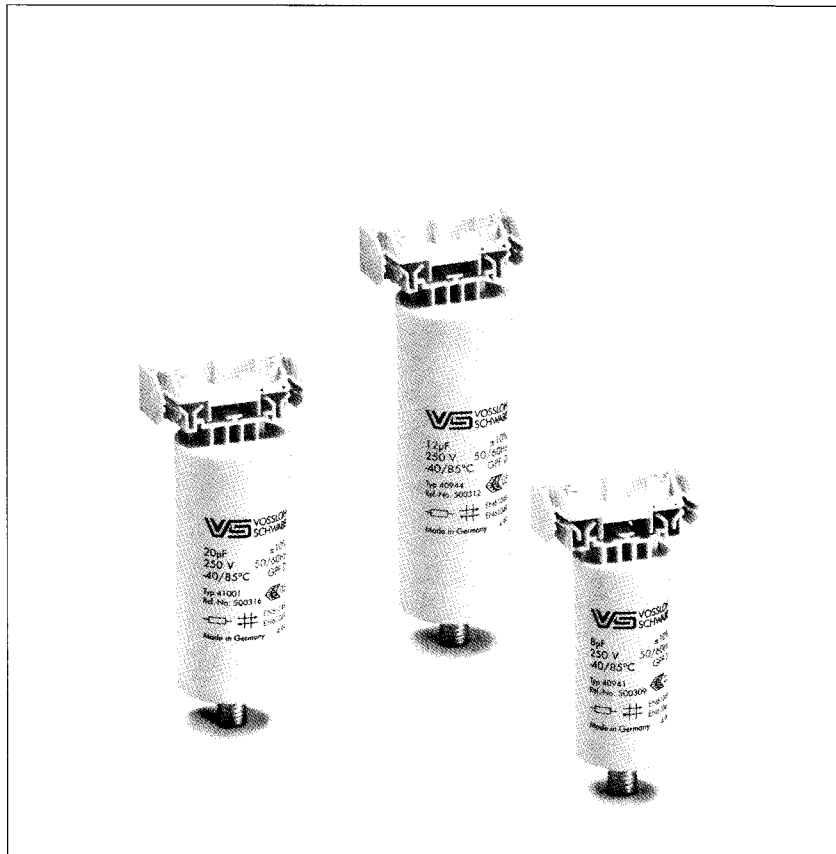
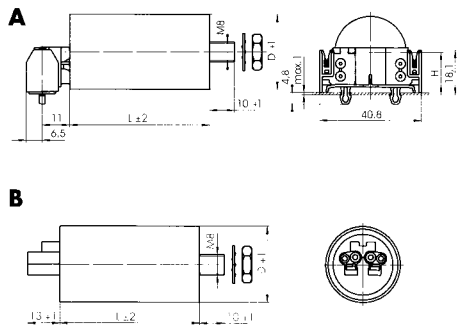
Capacitors for fluorescent lamps (T + TC)

Plastic casing, white
 Fastening: Male nipple
 Nut and washer included
 Discharge resistor
 Push-in twin terminals 0.5–1 mm²
 IDC terminals for automatic wiring with the ALF system for for leads HO5V-U 0.5 (up to 16 µF) with split pins
 Distance: 20 mm

Optional:
 Thermal cut-out
 Europe wide patented



UL-approval applied



Plastic casing

Type	Ref. No.	Capacity µF	Mains voltage Volt	Frequency Hz	Drawing	Dia. (D) mm	Length (L) mm	Terminal height (H) mm	Male nipple/length	Unit per pallet cartons/pcs.
40930	500296	2.0	100–250	50/60	A	25	57	14.7	M8/10 mm	98/ 14,700
40931	500299	2.5	100–250	50/60	A	25	57	14.7	M8/10 mm	98/ 14,700
40932	500300	3.0	100–250	50/60	A	25	57	14.7	M8/10 mm	98/ 14,700
40933	500301	3.5	100–250	50/60	A	25	57	14.7	M8/10 mm	98/ 14,700
40934	500302	4.0	100–250	50/60	A	25	70	14.7	M8/10 mm	98/ 12,740
40935	500303	4.5	100–250	50/60	A	25	70	14.7	M8/10 mm	98/ 12,740
40936	500304	5.0	100–250	50/60	A	25	70	14.7	M8/10 mm	98/ 12,740
40937	500305	6.0	100–250	50/60	A	25	70	14.7	M8/10 mm	98/ 12,740
40938	500306	6.5	100–250	50/60	A	30	70	17.2	M8/10 mm	72/ 9,360
40939	500307	7.0	100–250	50/60	A	30	70	17.2	M8/10 mm	72/ 9,360
40940	500308	7.5	100–250	50/60	A	30	70	17.2	M8/10 mm	72/ 9,360
40941	500309	8.0	100–250	50/60	A	30	70	17.2	M8/10 mm	72/ 9,360
40942	500310	9.0	100–250	50/60	A	30	70	17.2	M8/10 mm	72/ 9,360
40943	500311	10.0	100–250	50/60	A	30	70	17.2	M8/10 mm	72/ 9,360
40944	500312	12.0	100–250	50/60	A	30	94	17.2	M8/10 mm	72/ 9,360
40945	500313	15.0	100–250	50/60	A	30	94	17.2	M8/10 mm	72/ 9,360
40946	500314	16.0	100–250	50/60	A	30	94	17.2	M8/10 mm	72/ 9,360
41000	500315	18.0	100–250	50/60	B	35	94	–	M8/10 mm	50/ 5,500
41001	500316	20.0	100–250	50/60	B	35	94	–	M8/10 mm	50/ 5,500
41002	500317	25.0	100–250	50/60	B	40	94	–	M8/10 mm	36/ 3,960
41003	500318	30.0	100–250	50/60	B	40	94	–	M8/10 mm	36/ 3,960