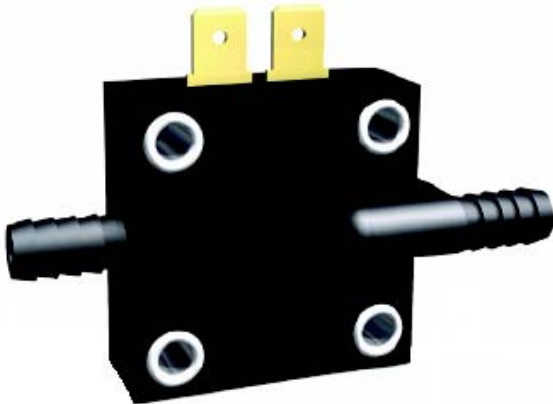


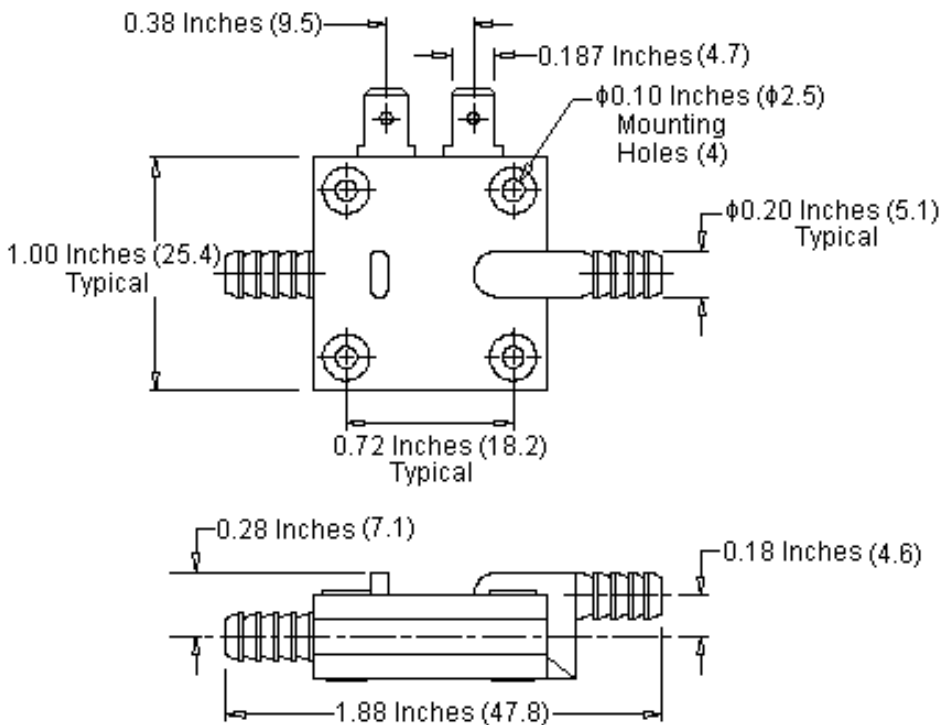
Pressure Switch

Miniature



Features:

- Patented shock and vibration resistance.
- Miniature size, lightweight, low cost.
- Quick response time.
- Dependable long life (20+ million cycles).
- Gold contact points (dual).
- Rugged military standards (MIL-SPEC).



Dimensions: Inches (Millimetres)

Description:

The rugged yet ultra-sensitive PSF100A pressure switch incorporates a patented dual diaphragm/dual contact design offering protection against false actuation due to shock and vibration.

Pressure Switch

Miniature



Specifications:

Mechanical:

Standard tolerance : $\pm 20\%$ (tighter tolerances available).
 Switch type : SPST normally open, double-make/double-break.
 Switching medium : Air, compatible fluids on "High" side.
 Mechanical life : More than 20 million cycles.
 Proof pressure : 8psi : for units where set point is 3.0 inches H₂O or less.
 15psi : for units where set point is greater than 3.0 inches H₂O.
 8psi : for units with Teflon[®] diaphragm.

Shock and vibration : At zero pressure, will not make at 50G's shock, will not make at 10G's, 50 to 2000Hz vibration.
 Operating temperature : +40°F to +150°F (standard), -46°F to +205°F (contact us).

Physical:

Case material : Polycarbonate (other materials available).
 Porting options : Two 200 inches diameter barbed ports (low/high) for use with 1/8 inches to 3/16 inches ID tubing.
 Diaphragm material : Polyurethane (Teflon[®] optional).
 Contact points : Gold (dual).
 Electrical connections : Terminals - 0.187 inches x 0.020 inches tab-type, for use with quick disconnects (reference AMP 2-520182-2 or equivalent).

Mounting : Eyeleted for #2 screws; mounting clip or bracket available.

Weight : Less than 10grams.

Electrical:

Current rating : 40mA resistive for life in excess of 20 million cycles.
 Operating voltage : 30V ac/dc or less with resistive load; 120V ac neon lamp load.

Note: For high load capabilities contact design flex for our SRF solid state relay.

Specification Table

Description	In. H ₂ O	mbar	psi	Part Number
Pressure switch, 0.004-0.018psi	0.1 to 0.5	0.25 to 1.25	0.004 to 0.018	PSF100A-0.5
Pressure switch, 0.054psi	1.5	3.73	0.054	PSF100A-1.5
Pressure switch, 0.108psi	3.0	7.46	0.108	PSF100A-3.0
Pressure switch, 0.217psi	6.0	14.92	0.217	PSF100A-6.0
Pressure switch, 0.361psi	10.0	24.86	0.361	PSF100A-10.0
Pressure switch, 0.541psi	15.0	37.30	0.541	PSF100A-15.0
Pressure switch, 1.804psi	50.0	124.32	1.804	PSF100A-50.0

Disclaimer This data sheet and its contents (the "Information") belong to the Premier Farnell Group (the "Group") or are licensed to it. No licence is granted for the use of it other than for information purposes in connection with the products to which it relates. No licence of any intellectual property rights is granted. The Information is subject to change without notice and replaces all data sheets previously supplied. The Information supplied is believed to be accurate but the Group assumes no responsibility for its accuracy or completeness, any error in or omission from it or for any use made of it. Users of this data sheet should check for themselves the Information and the suitability of the products for their purpose and not make any assumptions based on information included or omitted. Liability for loss or damage resulting from any reliance on the Information or use of it (including liability resulting from negligence or where the Group was aware of the possibility of such loss or damage arising) is excluded. This will not operate to limit or restrict the Group's liability for death or personal injury resulting from its negligence. SPC Multicomp is the registered trademark of the Group. © Premier Farnell plc 2009.

<http://www.farnell.com>
<http://www.newark.com>
<http://www.cpc.co.uk>

