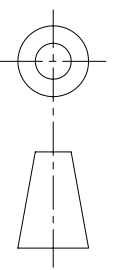


REMARKS :) * ----- REFER TO COVER PAGE

** ----- X.XX = 2.54 (FOR PIN LENGTH ≥ 3.20 & ≤ 10.00mm.)
** ----- X.XX = 1.75 (FOR PIN LENGTH > 10.00 & ≤ 19.50mm.)

VARTTRONIX LTD.

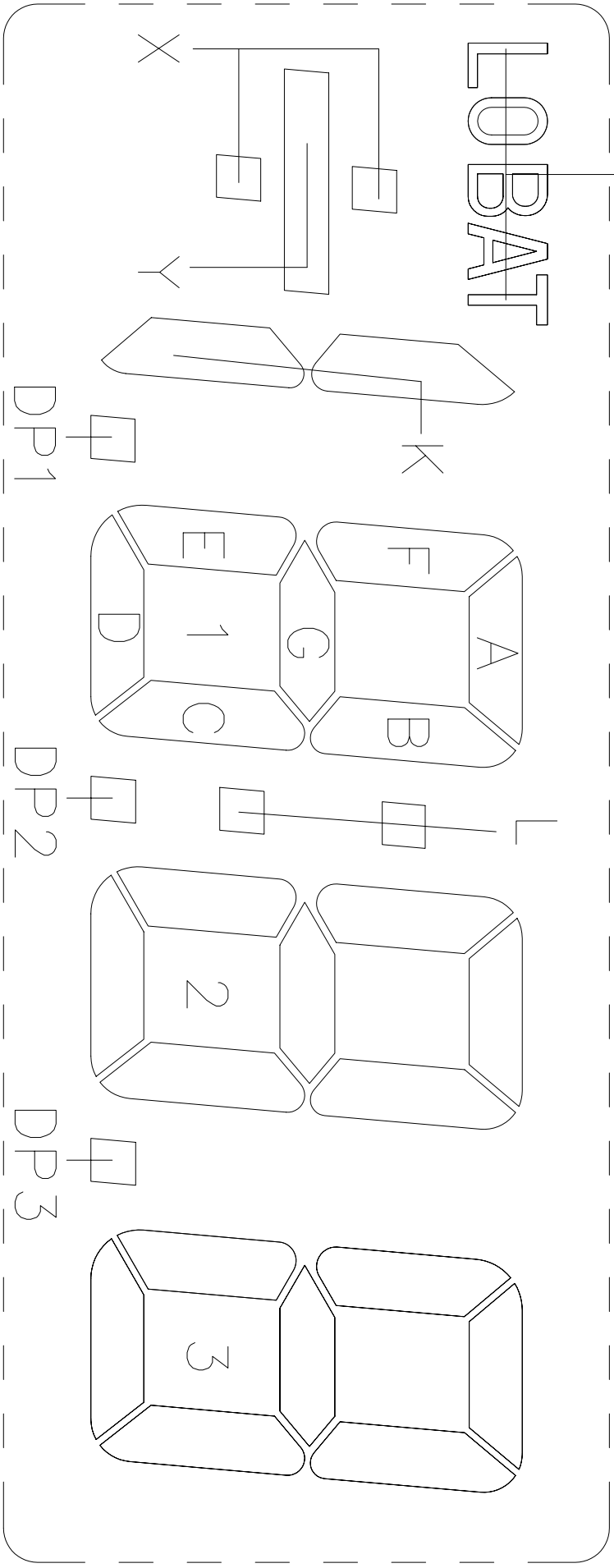
DWG. NO. : VI-302-1	REV : 0	Dimension : mm	TOL : ±0.15 IF NOT SPECIFY	DO NOT SCALE DRAWING	3 rd ANGLE PROJECTION
Drawn by : YAN	Checked by :	Date : 98/10/23	Date :		



PIN40

DWG.NO.: VI-302-1 (REV.0)

PIN21



PIN1

PIN20

DWG. NO.: VI-302-1 (REV.0)

LOBAT

0.315

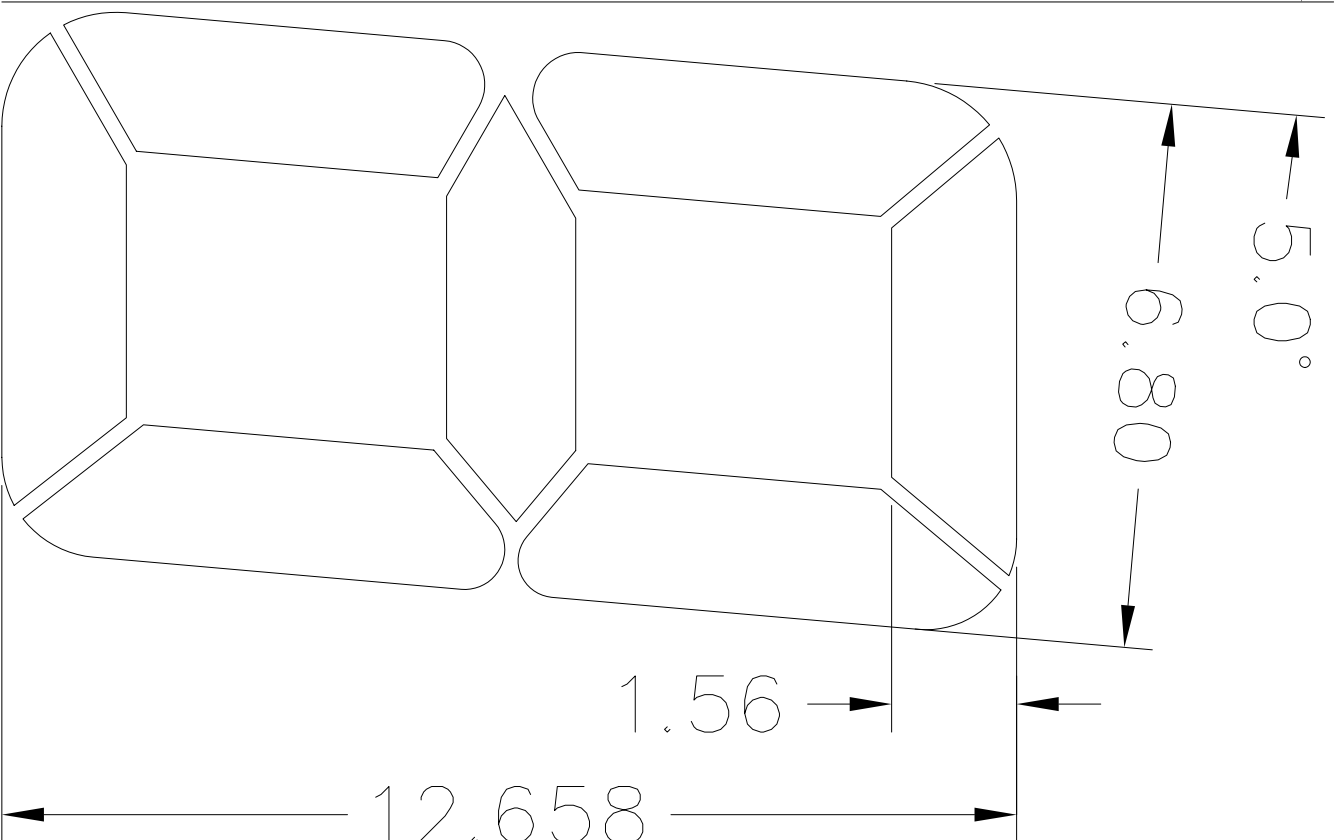
2.33

5.0°

6.80

1.56

12.658



DWG.NO.: VI-302-1 (REV.0)

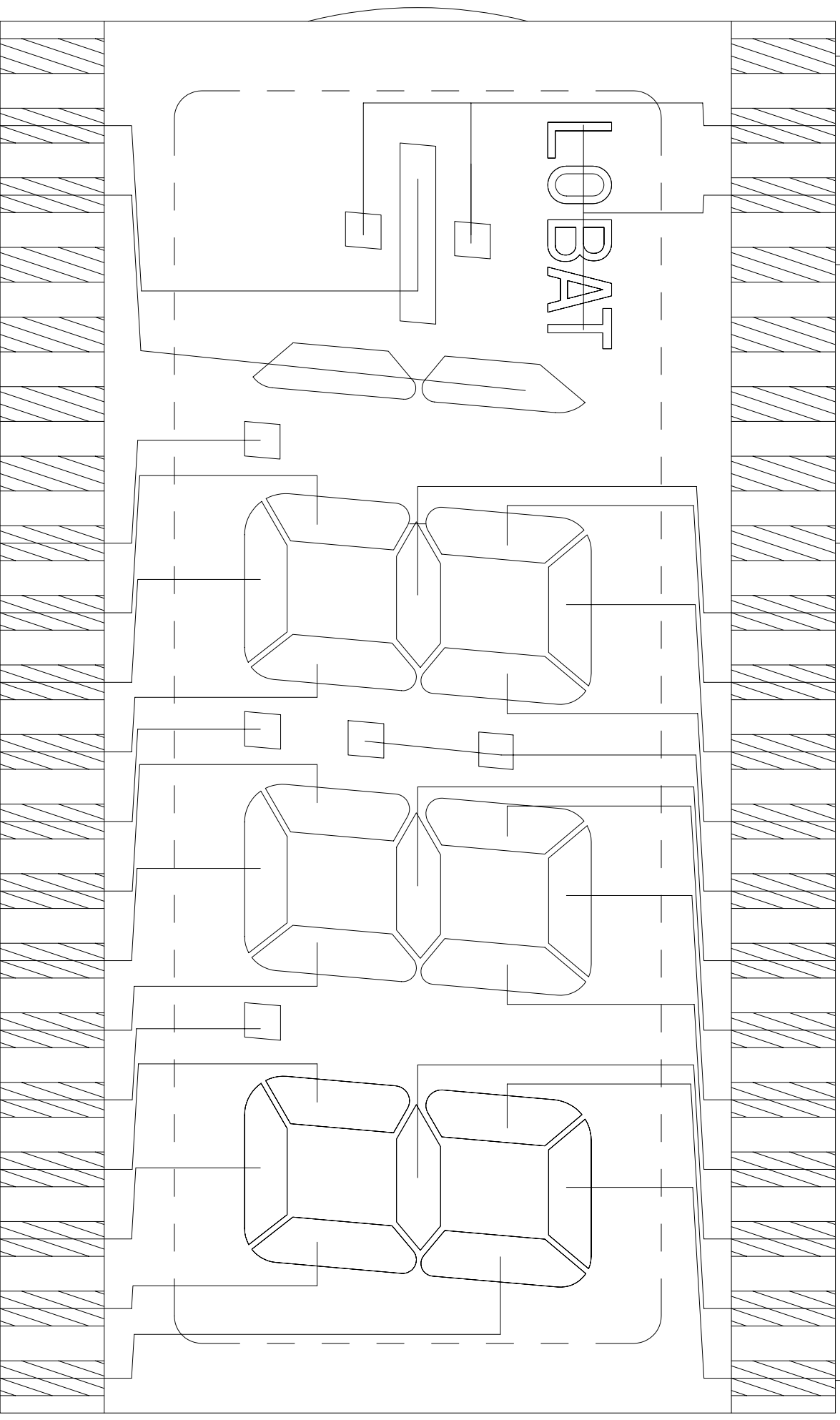
SEGMENT TRACKING

PIN40

N.C.

PIN21

LOBAT

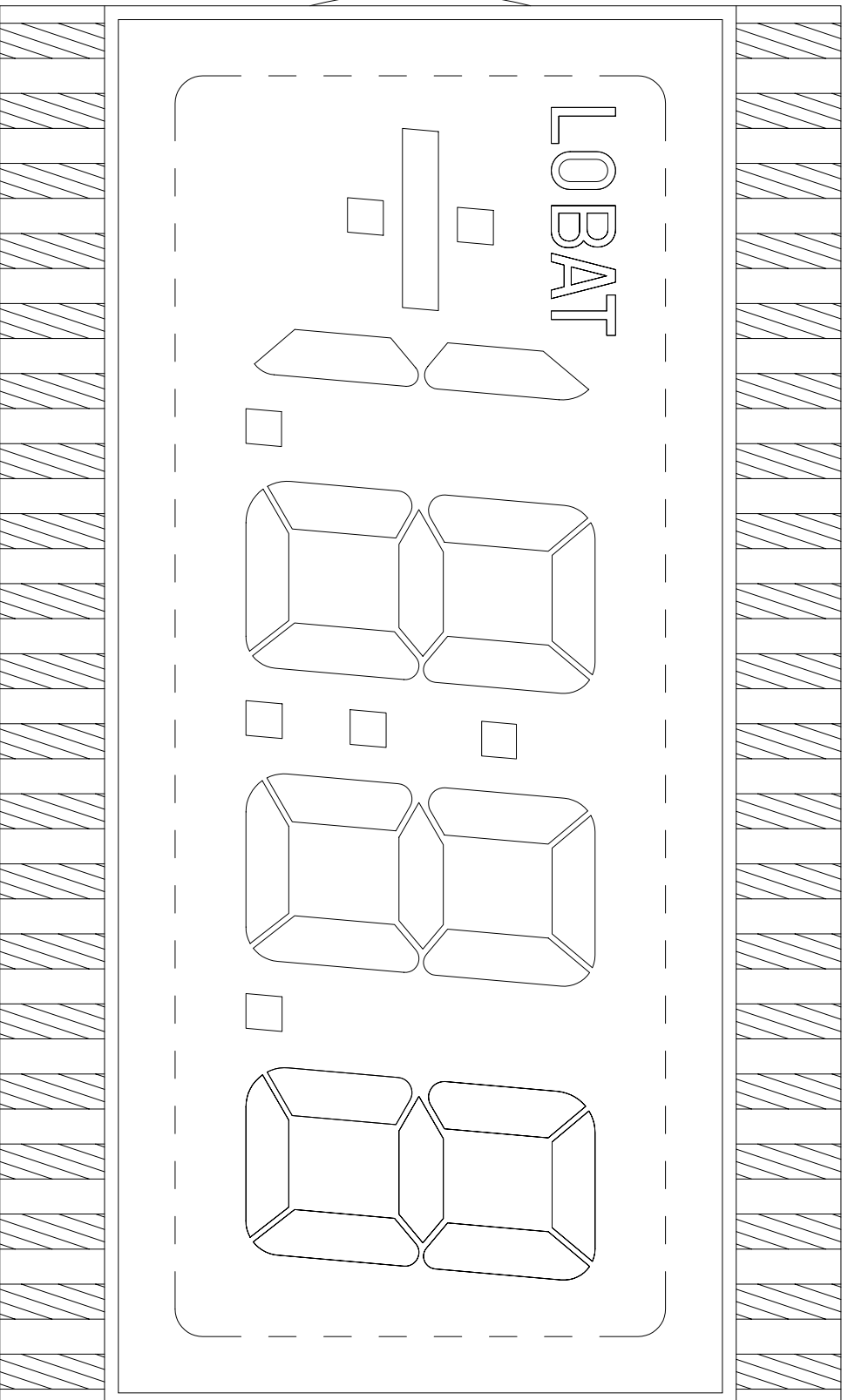


PIN1

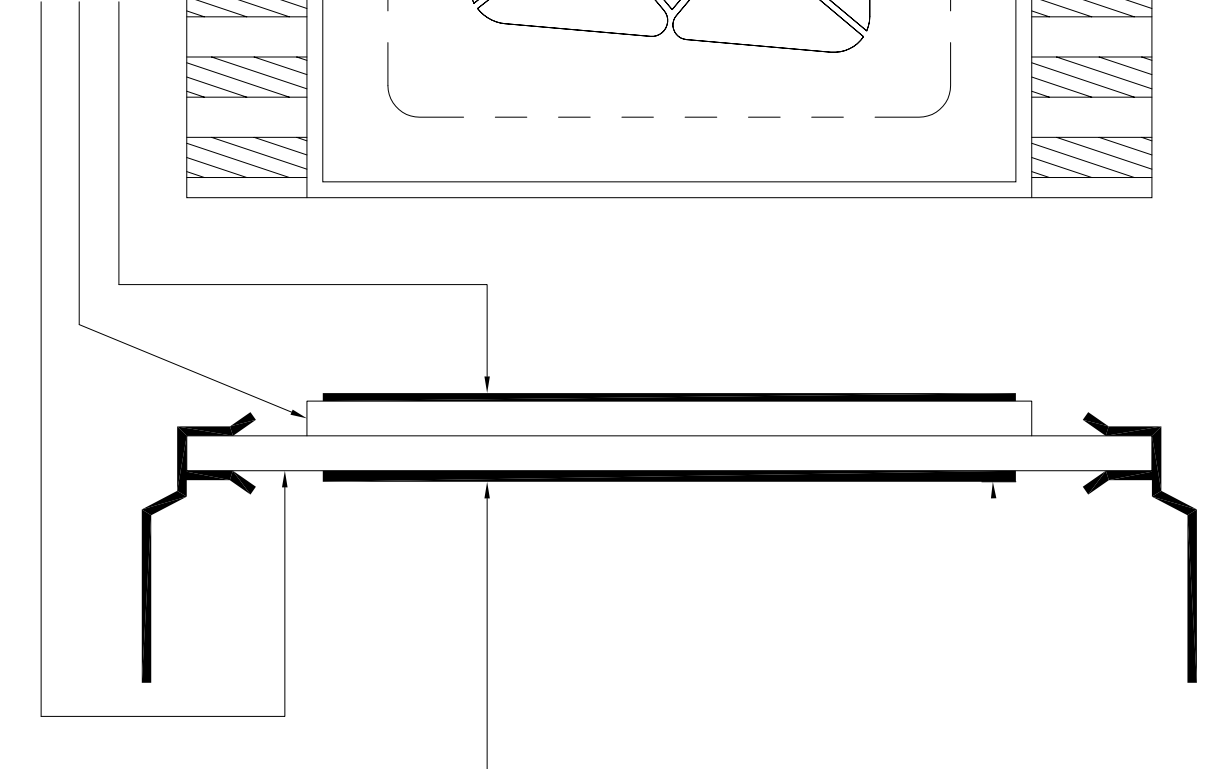
N.C.

PIN20

DWG. NO.: VI-302-1 (REV.0)



FRONT POLARIZER
FRONT GLASS
BACK GLASS
BACK POLARIZER



DWG. NO. : VI-302-1 (REV.0)

PIN	COM
1	COM
2	Y
3	K
4	N.C
5	N.C.
6	N.C.
7	N.C.
8	DP1
9	1E
10	1D
11	1C
12	DP2
13	2E
14	2D
15	2C
16	DP3
17	3E
18	3D
19	3C
20	3B

PIN	COM
21	3A
22	3F
23	3G
24	2B
25	2A
26	2F
27	2G
28	L
29	1B
30	1A
31	1F
32	1G
33	N.C.
34	N.C.
35	N.C.
36	N.C.
37	N.C.
38	Z
39	X
40	COM

REMARKS : N.C. = NO CONNECTION

P.C.B. LINKAGE : PIN1 & PIN40