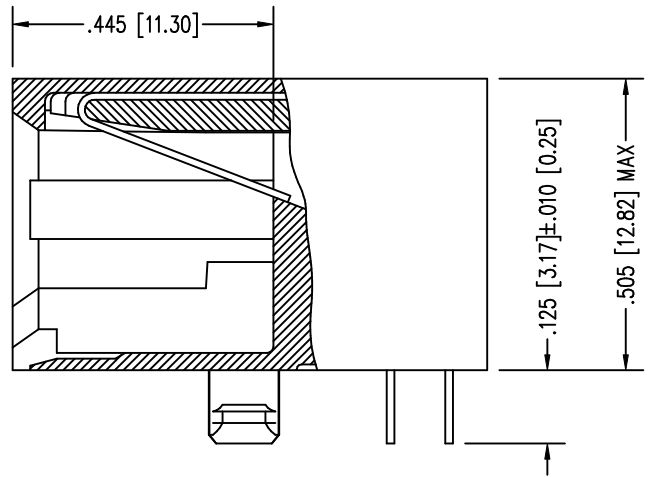
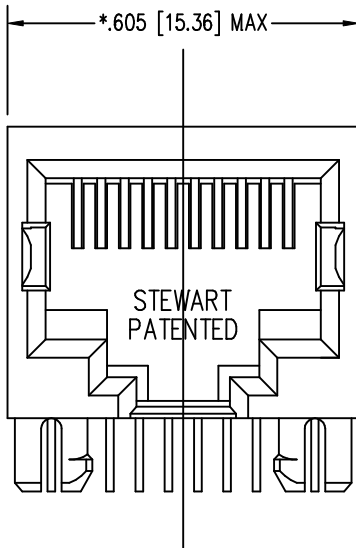


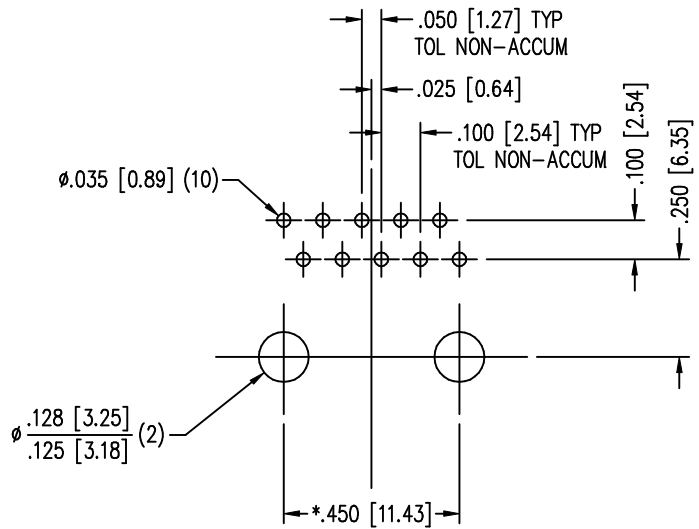
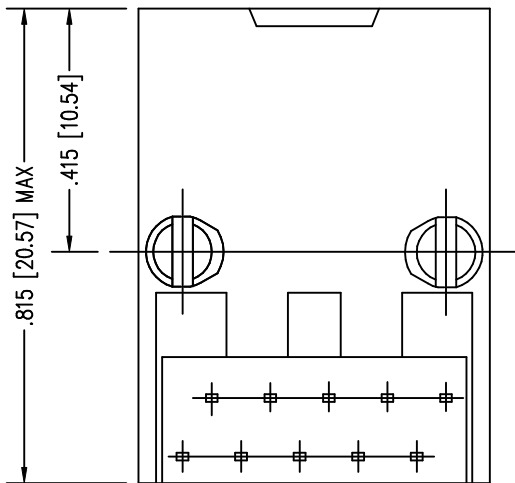
STEWART
CONNECTOR
SYSTEMS, INC.

R.D. 2, BOX 2020 GLEN ROCK, PENNSYLVANIA 17327

PART NO. SS-641010-NF
TEN CONTACT, TEN POSITION, JACK
"-NF" NON-FLANGE



For Reference Only



NOTE:

- TOLERANCE COMPLY WITH F.C.C. DIMENSION REQUIREMENTS ALL OTHERS $\pm .005 [0.13]$ UNLESS OTHERWISE SPECIFIED.
- DIMENSIONS SHOWN WITH "*" TO BE CENTRAL ABOUT CENTER LINE

AVAILABLE WITH:

- 30 & 50, MICRO-INCH SELECTIVE GOLD PLATING
- LOADED 1 - 10 CONTACTS

P.C.B. RECOMMENDED HOLE LAYOUT
SEEN FROM COMPONENT SIDE
TOLERANCE $\pm .003 [0.08]$ UNLESS OTHERWISE SPECIFIED