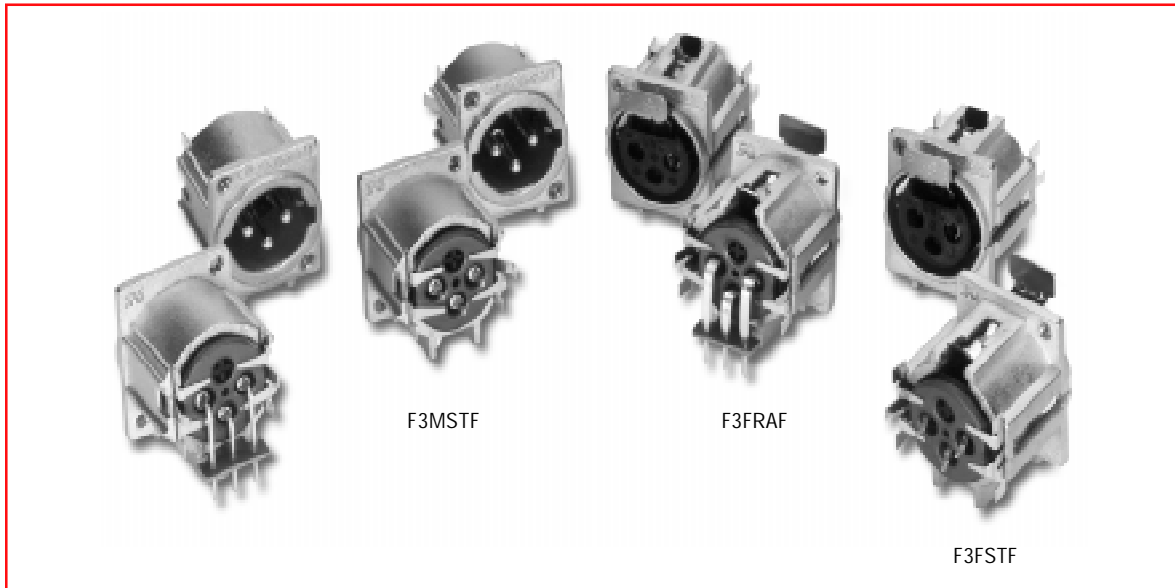


# Switchcraft®

## F SERIES RECEPTACLES WITH FERRITE

NEW  
PRODUCT  
BULLETIN

524



Switchcraft now offers the F Series. Available in male and female, the receptacles can be mounted from the rear of the panel. Features include an all metal housing with a ferrite disk for added EMI/RFI shielding. Both male and female connectors can be mounted vertical or horizontal to the PC board. All connectors have a PC-board retention feature to hold the connectors firmly to the PC board prior to soldering. See the chart below for part numbers.

### F SERIES FEATURES

- Replaces Cannon XLM-Series
- 3-pin contact; male and female types
- Both male and female fit in same panel cutout
- Locking receptacles
- Silver-plated contacts
- Rugged metal shells; satin nickel finishes
- Through-the-shell ground connection and all-metal shells for greater shielding effectiveness
- Compatible with Switchcraft Q-G®, QGP and other connectors with similar configurations
- Added EMI/RFI ferrite shield

### SPECIFICATIONS: ELECTRICAL

### QC® PART NUMBERING SYSTEM

Each character (or absence thereof) in the part numbers listed denotes one specific feature.

Character	Description
F	Series designator
3	3 pins or contacts
*	M ⌀ male connector; F ⌀ female connector
RA	Right-angle PC terminals
ST	Straight PC terminals
F	Ferrite

### TERMINALS

Two terminations are available on F-Series receptacles:

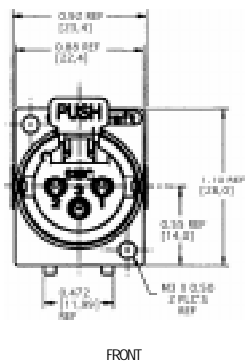
1. Straight PC-terminals – direct termination to PC-board. Housing

Part Number	Terminals	Contacts	Housing	Type
F3MSTF	Straight	Silver	Satin Nickel	M
F3FSTF				F
F3MRAF	Right Angle			M
F3FRAF				F

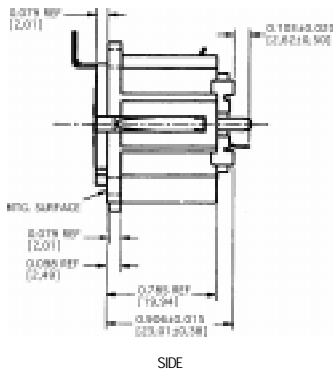
**Switchcraft®**

F SERIES RECEPTACLES WITH FERRITE DISKS

# F SERIES RECEPTACLES WITH FERRITE DISKS

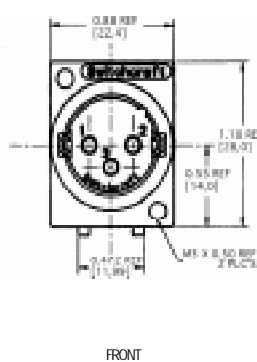


FRONT

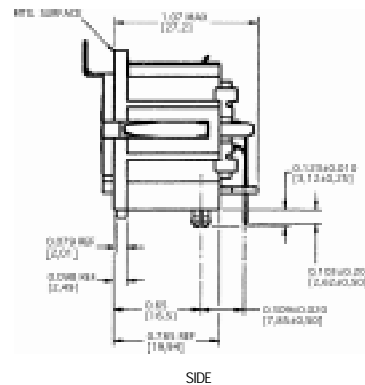


SIDE

F3FSTF

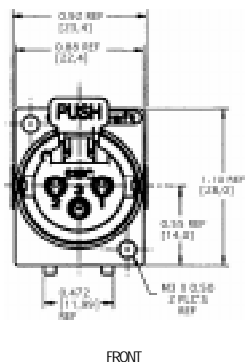


FRONT

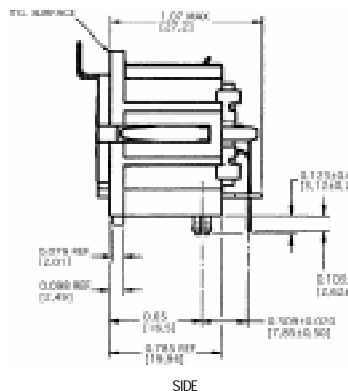


SIDE

F3MSTF

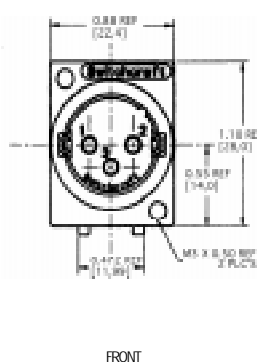


FRONT

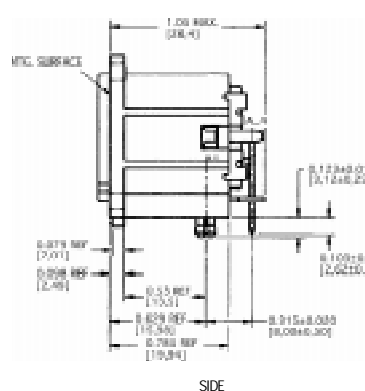


SIDE

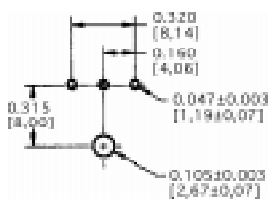
F3FRAF



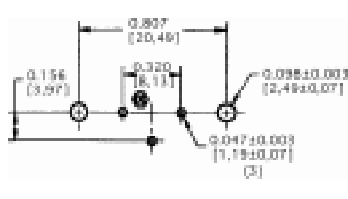
FRONT



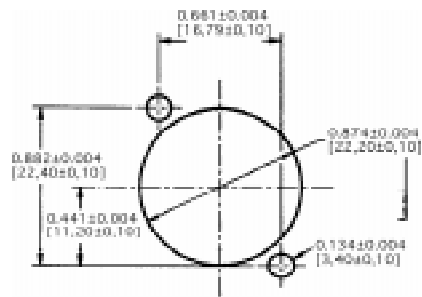
SIDE



Recommended P.C. Board layout for right angle PC terminals.



Recommended P.C. Board layout for straight PC terminals.



Recommended mounting panel layout

Switchcraft, Inc. is a major manufacturer of a broad line of electronic/electromechanical components for the audio/video, telecommunication, data communication, computer, medical, military, appliance, transportation and instrumentation markets.

# Switchcraft®

SWITCHCRAFT, INC.  
5555 NORTH ELSTON AVENUE  
CHICAGO, IL 60630  
(773) 792-2700 • FAX: (773) 792-2129



We reserve the right to change prices, specifications and/or part numbers contained herein when circumstances make it necessary.