

**Electric Vacuum Switches**

- Quick, easy installation
- Converts vacuum signal into electrical output
- Robust construction
- Very compact size


**Technical Data**

Medium:

Vacuum

Operation:

M/58024/VB Normally open

M/58024/VF Normally closed

Adjustment:

-0,2 to -1 bar

Repeatability:

±0,1 bar

Differential Reset Pressure:

Up to 0,2 bar

Operating Temperature:

-20°C to +80°C

Switching Voltage:

250 V d.c./ a.c.

Switching Current:

2 A maximum

Protection Rating:

IP 55 (DIN 40050)

Switching Frequency:

200/min

Weight:

0,09 kg

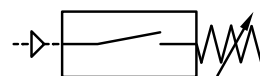
Materials:

Zinc plated steel body, silicone diaphragm

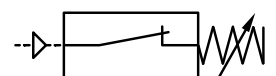
**Ordering Information**

To order an electric vacuum switch (normally open)  
quote: M/58024/VB

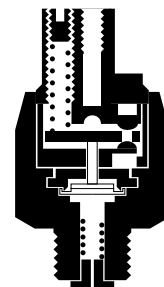
To order an electric vacuum switch (normally closed)  
quote: M/58024/VF



M/58024/VB

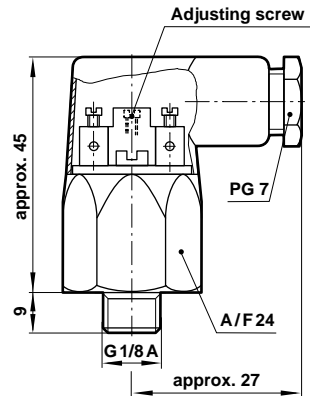


M/58024/VF





## Basic Dimensions



## Warning

These products are intended for use in industrial control systems only. Do not use these products where voltage, current and temperatures can exceed those listed under 'Technical Data'.

Before using these products for non-industrial applications, life-support systems, or other applications not within published specifications, consult NORGREN.

Through misuse, age, or malfunction, components used in control systems can fail in various modes.

The system designer is warned to consider the failure modes of all component parts used in control systems and to provide adequate safeguards to prevent personal injury or damage to equipment in the event of such failure.

**System designers must prodade a warning to end users in the system instructional manual if protection against a failure mode cannot be adequately prodaded.**

System designers and end users are cautioned to review specific warnings found in instruction sheets packed and shipped with these products.