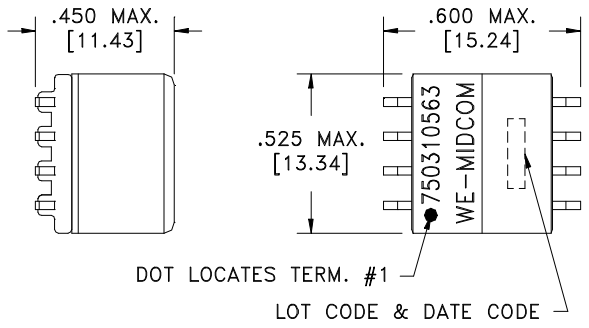
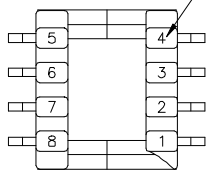


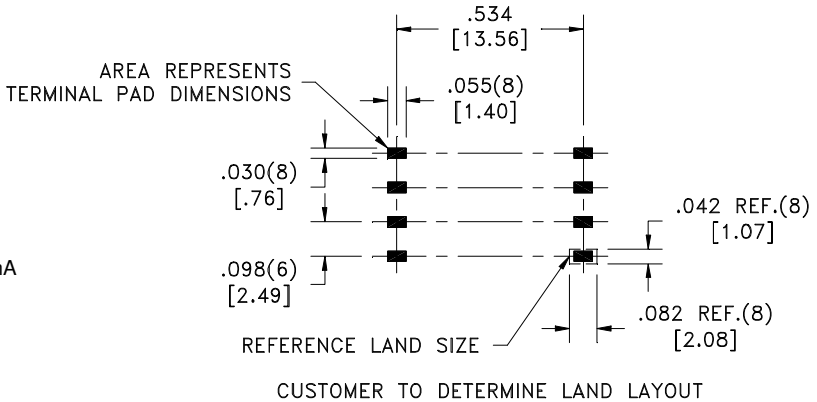
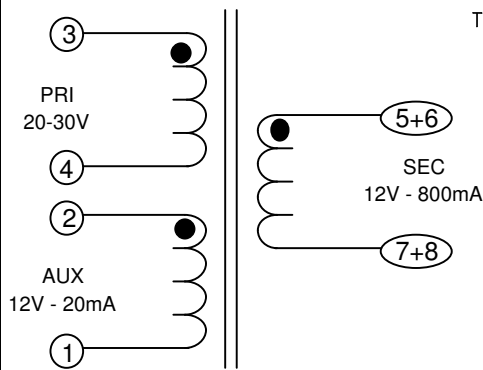
CUSTOMER TERMINAL	RoHS	LEAD(Pb)-FREE
Sn96%, Ag4%	Yes	Yes



TERM. NO.'s FOR REF. ONLY



DOT LOCATES TERM. #1
LOT CODE & DATE CODE



ELECTRICAL SPECIFICATIONS @ 25°C unless otherwise noted:

- D.C. RESISTANCE (@20°C):
 1-2 , 0.275 Ohms ±10%.
 3-4 , 0.060 Ohms ±20%.
 5-8 (5+6, 7+8), 0.060 Ohms ±20%.
- DIELECTRIC RATING:
 500VDC, 1 minute tested by applying 625VDC for 1 second between pins 1-4.
 1500VAC, 1 minute tested by applying 1875VAC for 1 second between pins 1-5.
 1500VAC, 1 minute tested by applying 1875VAC for 1 second between pins 1-8.
 1500VAC, 1 minute tested by applying 1875VAC for 1 second between pins 4-5.
 1500VAC, 1 minute tested by applying 1875VAC for 1 second between pins 4-8.
- INDUCTANCE:
 25.0µH ±10%, 10kHz, 100mVAC, 0mADC, 3-4, Ls.
- LEAKAGE INDUCTANCE:
 500nH max., 100kHz, 50mVAC, 3-4(tie 1+2, 5+6+7+8), Ls.
- TURNS RATIO:
 (3-4):(2-1), (2):(1), ±1%.
 (3-4):(6-8), (1):(1), ±1%.
 (3-4):(5-7), (1):(1), ±1%.

T_0_2720

Inc. Watertown, SD USA Toll Free: 800-643-2661 Fax: 605-886-4486	Unless otherwise specified, tolerances are as follows: Angles: ±1° Fractions: ±1/64 Decimals: ±.005 (.127mm)		WE-Midcom, Inc.	
	Drawing Title <h1>Transformer</h1>		Drawing Number <h2>750310563</h2>	Rev. 01
Revisions: See Sheet 1		Scale ----	Sheet 2 of 5	
Engineer:APS			07/11/2008	

This drawing is dual dimensioned.
Dimensions in brackets are in millimeters