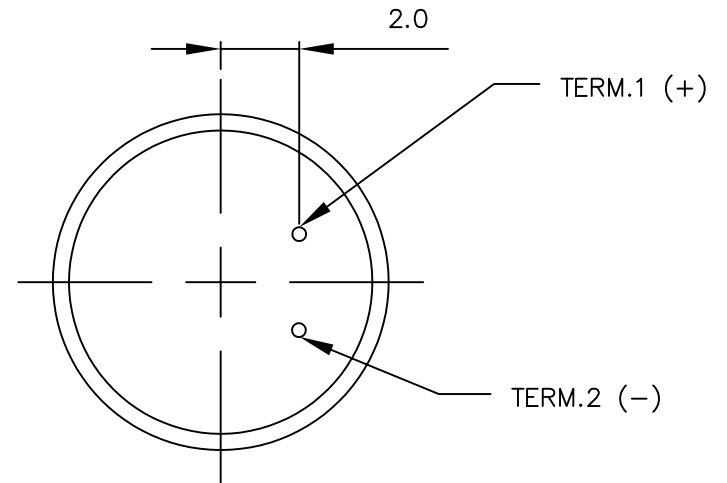
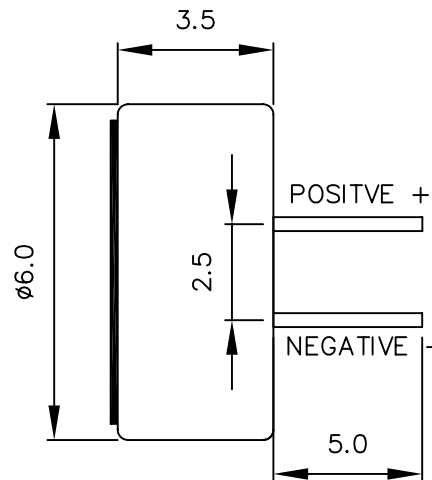
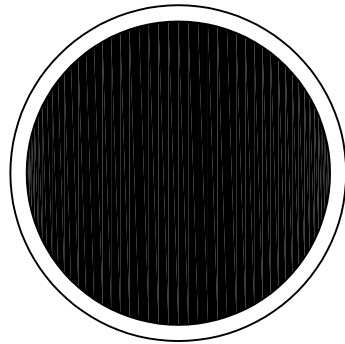


THIS DOCUMENT CONTAINS DATA PROPRIETARY TO PROJECTS UNLIMITED, INC. ANY USE OR REPRODUCTION, IN ANY FORM, WITHOUT PRIOR WRITTEN PERMISSION OF PROJECTS UNLIMITED, INC. IS PROHIBITED.

### SPECIFICATIONS

PARAMETERS	VALUES	UNITS
DIRECTIVITY	OMNI	-
SENSITIVITY	-44±3	dB
STANDARD OPERATING VOLTAGE	2	Vdc
MAX OPERATING VOLTAGE	10	Vdc
CURRENT CONSUMPTION (MAX)	0.5	mA
IMPEDANCE	2,200	K Ohm
SIGNAL TO NOISE RATIO	60	dB
TERMINAL	PIN	-

REVISIONS			
LTR	DESCRIPTION	DATE	APPROVED
-	RELEASED FROM ENGINEERING	11/13/03	



NOTES:

1. ALL DIMENSIONS ARE IN MILLIMETERS.
2. SPECIFICATION SUBJECT TO CHANGE OR WITHDRAWAL WITHOUT NOTICE.

FILE NAME  
POM-3544P.DWG

UNLESS OTHERWISE SPECIFIED:  
DIMENSIONS ARE IN MILLIMETERS,  
TOLERANCES ARE ±0.5 AND ANGLES ARE  
±3°.



projects®  
unlimited

Dayton, Ohio

MICROPHONE  
POM-3544P

APPROVALS	DATE
DRAWN <i>R.A.C.</i>	11/03
APPROVED <i>R.W.</i>	11/03

SIZE  
A

DRAWING NO.  
POM-3544P

DO NOT SCALE DRAWING

SCALE: N.T.S.

SHEET 1 OF 1