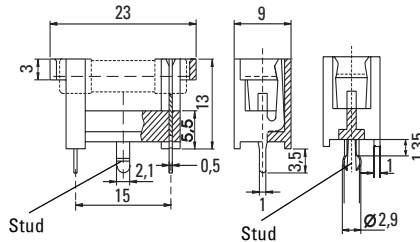
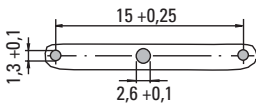
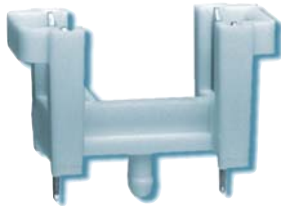


Holder / No. 649

PC Mount, 5x20mm Fuses, leadfree



PCB-Thickness: 1.6mm ± 0.14mm

Specifications

Standard
IEC 60127-6
UL 512

Packaging
100: Bulk (500 pcs.)
103: Bulk (4x3000 pcs.)

Approvals



Mounting
Solder pins 0.5 x 1.0mm and plastic stud

Materials
Holder: White Thermoplastic, UL94 V-0
Polybutylenterephthalat PBTP
Metal parts: Copper alloy
Solderable, tinned

Protection Class & Category
PC1 (IEC 60127-6)

Electrical Data (23°C)
Rated Voltage: 250V
Max. Current/Power: 6.3A/1.6W

Minimum Cross Section
Conducting path - 0.2mm²

Operating Temperature
-25°C to +70°C (consider de-rating)

Stock Conditions
+10°C to +60°C
relative humidity ≤ 75% yearly average,
without dew, maximum value for 30 days - 95%

Contact Resistance
≤ 5mΩ

Isolation Resistance
10¹²MΩ

Solderability
235°C, 2 sec. (soldering bath; IEC 60068-2-20)

Soldering Heat Resistance
260°C, 10 sec. (soldering bath; IEC 60068-2-20)

Marking
Approvals

Unit Weight
1.2g

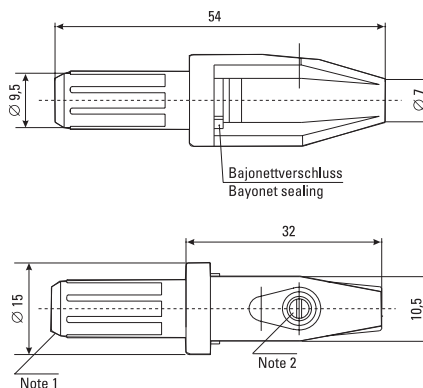
Order Info	Qty.	Order-Number	Series	Packaging
			649	0000

Specifications are subject to change without notice

Holder / No. 271.1101

formerly 510

In-Line Type, 5x20mm Fuses leadfree



Packaging
000: Bulk (100 pcs.)

Mounting
In-line, for use with customer-provided cables

Terminals
Crimp-type with ferrule (Note 1)
Screw-type (Note 2)

Materials
Holder: Black Thermoplastic
Metal Parts: Copper alloy, corrosion-protected

Electrical Data (23°C)
Rated Voltage: 250V
Maximum Current: 6.3A

Minimum Cross Section
Conductor - 2.5mm²

Unit Weight
6.0g

Order Info	Qty.	Order-Number	Series	Packaging
			271	1101

Specifications are subject to change without notice

Note: 1.00 means the number one with two decimal places. 1,000 means the number one thousand.