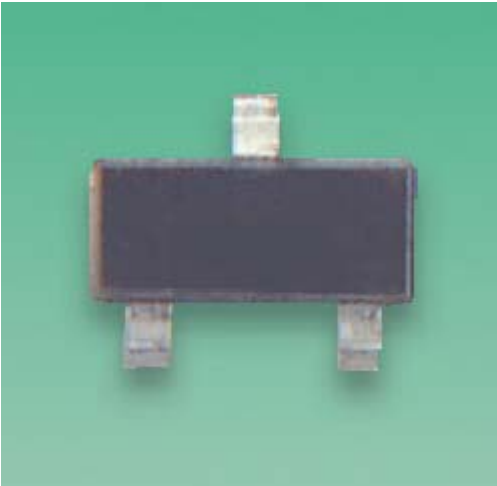


BC847B



General Purpose SMD NPN Transistors

SOT-23

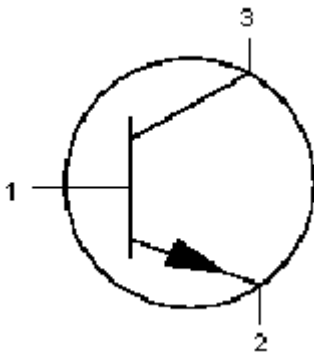


Features:

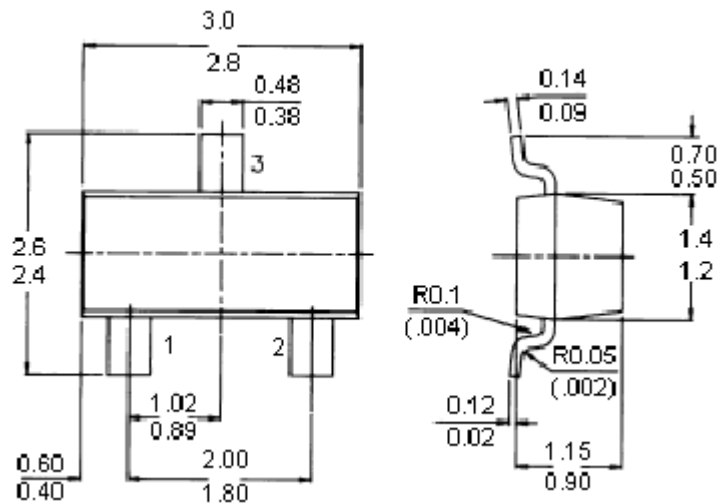
- Silicon planar epitaxial transistors.
- General purpose NPN transistors.

Pin Configuration:

1. Base
2. Emitter
3. Collector



Package Outline Details



Dimensions : Millimetres

Absolute Maximum Ratings

	Symbol		BC847B	Units
Collector-Emitter Voltage ($V_{BE} = 0$)	V_{CES}	Maximum	50	V
Collector-Emitter Voltage (Open Base)	V_{CEO}		45	
Collector Current (Peak Value)	I_{CM}		200	mA
Total Power Dissipation up to $T_{amb} = 25^{\circ}C$	P_{tot}		250	mW
Junction Temperature	T_j		150	$^{\circ}C$



BC847B



General Purpose SMD NPN Transistors

Absolute Maximum Ratings

	Symbol		BC847B	Units
Small-Signal Current Gain $I_C = 2\text{mA}; V_{CE} = 5\text{V}; f = 1\text{kHz}$	h_{fe}	Minimum	125	-
Transition Frequency at $f = 100\text{MHz}$ $I_C = 10\text{mA}; V_{CE} = 5\text{V}$	f_T		>100	MHz
Noise Figure at $R_S = 2\text{k}\Omega$ $I_C = 200\text{mA}; V_{CE} = 5\text{V}$ $f = 1\text{kHz}; B = 200\text{Hz}$	F	Typical	2	dB

Ratings (at $T_A = 25^\circ\text{C}$ unless otherwise specified)

	Symbol		BC847B	Units
Collector-Base Voltage (Open Emitter)	V_{CBO}	Maximum	50	V
Collector-Emitter Voltage ($V_{BE} = 0$)	V_{CES}			
Collector-Emitter Voltage (Open Base)	V_{CEO}			
Emitter-Base Voltage (Open Collector)	V_{EBO}			
Collector Current (DC)	I_C	Maximum	100	mA
Collector Current (Peak Value)	I_{CM}			
Emitter Current (Peak Value)	$-I_{EM}$			
Base Current (Peak Value)	I_{BM}			
Total Power Dissipation upto $T_{amb}: 25^\circ\text{C}$	P_{tot}		250	mW
Storage Temperature	T_{stg}	-	-55 to +150	$^\circ\text{C}$
Junction Temperature	T_j	Maximum	150	
Thermal Resistance				
From Junction to Ambient	$R_{th(j-a)}$	=	500	K/W

Characteristics ($T_j = 25^\circ\text{C}$ unless otherwise specified)

Collector Cut off Current $I_E = 0; V_{CB} = 30\text{V}$ $I_E = 0; V_{CB} = 30\text{V}; T_j = 150^\circ\text{C}$	I_{CBO}	<	15 5	nA μA
Base-Emitter Voltage $I_C = 2\text{mA}; V_{CE} = 5\text{V}$	V_{BE}	Typical	660	mV
$I_C = 10\text{mA}; V_{CE} = 5\text{V}$	V_{BE}	<	580 to 700 770	
Saturation Voltage	$V_{CE(sat)}$	Typical	90	
$I_C = 10\text{mA}; I_B = 0.5\text{mA}$	$V_{BE(sat)}$	<	250	
$I_C = 100\text{mA}; I_B = 5\text{mA}$	$V_{CE(sat)}$	Typical	700	
	$V_{CE(sat)}$	Typical	200	
	$V_{BE(sat)}$	<	600	
	$V_{BE(sat)}$	Typical	900	



BC847B



General Purpose SMD NPN Transistors

Ratings (at $T_A = 25^\circ\text{C}$ unless otherwise specified)

	Symbol		BC847B	Unit
Collector Capacitance at $f = 1\text{MHz}$ $I_E = I_e = 0; V_{CB} = 10\text{V}$	C_C	Typical	2.5	pF
Transition Frequency at $f = 100\text{MHz}$ $I_C = 10\text{mA}; V_{CE} = 5\text{V}$	f_T	>	100	MHz
Noise Figure at $R_S = 2\text{KW}$ $I_C = 200\mu\text{A}; V_{CE} = 5\text{V};$ $f = 1\text{kHz}; B = 200\text{Hz}$	F	Typical Maximum	2 10	dB
DC Current Gain $I_C = 10\text{mA}; V_{CE} = 5\text{V}$ $I_C = 2\text{mA}; V_{CE} = 5\text{V}$	h_{FE}	Typical > Typical <	150 200 290 450	-
Small Signal Current Gain at $f = 1\text{kHz}$ $I_C = 2\text{mA}; V_{CE} = 5\text{V}$	h_{fe}	Minimum Maximum	125 900	-

Specifications

V_{CEO} (V)	I_C (mA) Maximum	F (dB) Maximum	P_{tot} (mW)	Device Marking	Part Number
45	100	10	250	IF	BC847B



BC847B



General Purpose SMD NPN Transistors

Notes:

International Sales Offices:

 AUSTRALIA - Farnell Tel No: ++61 1300 361 005 Fax No: ++61 1300 361 225	 FINLAND - Farnell Tel No: ++ 358 9 560 7780 Fax No: ++ 358 9 345 5411	 ITALY - Farnell Tel No: ++ 39 02 93 995 200 Fax No: ++ 39 02 93 995 300	 SPAIN - Farnell Tel No: 901 20 20 80 Fax No: 901 20 20 90
 AUSTRIA - Farnell Tel No: ++ 43 662 2180 680 Fax No: ++ 43 662 2180 670	 FRANCE - Farnell Tel No: ++ 33 474 68 99 99 Fax No: ++ 33 474 68 99 90	 MALAYSIA - Farnell-Newark Tel No: ++ 60 3 7873 8000 Fax No: ++ 60 3 7873 7000	 SWEDEN - Farnell Tel No: ++ 46 8 730 50 00 Fax No: ++ 46 8 83 52 62
 BELGIUM - Farnell Tel No: ++ 32 3 475 2810 Fax No: ++ 32 3 227 3648	 GERMANY - Farnell Tel No: ++ 49 89 61 39 39 39 Fax No: ++ 49 89 613 59 01	 NETHERLANDS - Farnell Tel No: ++ 31 30 241 7373 Fax No: ++ 31 30 241 7333	 SWITZERLAND - Farnell Tel No: ++ 44 204 64 64 Fax No: ++ 44 204 64 54
 BRAZIL - Farnell-Newark Tel No: ++ 55 11 4066 9400 Fax No: ++ 55 11 4066 9410	 HONG KONG - Farnell-Newark Tel No: ++ 852 2268 9888 Fax No: ++ 852 2268 9899	 NEW ZEALAND - Farnell Tel No: 0800 90 80 80 Fax No: 0800 90 80 81	 UK - Farnell Tel No: ++ 44 8701 200 200 Fax No: ++ 44 8701 200 201
 CHINA - Farnell-Newark Tel No: ++86 10 6238 5152 Fax No: ++86 10 6238 5022	 HUNGARY - Farnell Tel No: ++ 44 870 1200 208 Fax No: ++ 44 870 1200 209	 NORWAY - Farnell Tel No: 800 146 70 Fax No: 800 146 76	 UK - CPC ++ 44 8701 202 530 ++ 44 8701 202 531
 CZECH REPUBLIC - Farnell Tel No: ++ 44 870 1200 208 Fax No: ++ 44 870 1200 209	 INDIA - Farnell Tel No: ++ 44 870 1200 208 Fax No: ++ 44 870 1200 209	 PORTUGAL - Farnell Tel No: ++ 34 93 475 8804 Fax No: ++ 34 93 474 5288	 USA - Newark Tel No: 800 463 9275
 DENMARK - Farnell Tel No: ++ 45 44 53 66 44 Fax No: ++ 45 44 53 66 06	 IRELAND - Farnell Tel No: ++ 353 1 830 9277 Fax No: ++ 353 1 830 9016	 RUSSIA - Farnell Tel No: ++ 44 870 1200 208 Fax No: ++ 44 870 1200 209	 EXPORT - Farnell Tel No: ++ 44 8701 200 208 Fax No: ++ 44 8701 200 209 For enquiries from all other markets
 ESTONIA - Farnell Tel No: ++ 358 9 560 7780 Fax No: ++ 358 9 345 5411	 ISRAEL - Farnell Tel No: ++ 180 937 0015 Fax No: ++ 180 937 0014	 SINGAPORE - Farnell-Newark Tel No: ++ 65 6788 0200 Fax No: ++ 65 6788 0300	http://www.farnell.com http://www.newark.com http://www.cpc.co.uk

Disclaimer This data sheet and its contents (the "Information") belong to the Premier Farnell Group (the "Group") or are licensed to it. No licence is granted for the use of it other than for information purposes in connection with the products to which it relates. No licence of any intellectual property rights is granted. The Information is subject to change without notice and replaces all data sheets previously supplied. The Information supplied is believed to be accurate but the Group assumes no responsibility for its accuracy or completeness, any error in or omission from it or for any use made of it. Users of this data sheet should check for themselves the Information and the suitability of the products for their purpose and not make any assumptions based on information included or omitted. Liability for loss or damage resulting from any reliance on the Information or use of it (including liability resulting from negligence or where the Group was aware of the possibility of such loss or damage arising) is excluded. This will not operate to limit or restrict the Group's liability for death or personal injury resulting from its negligence. SPC Multicomp is the registered trademark of the Group. © Premier Farnell plc 2008.

