

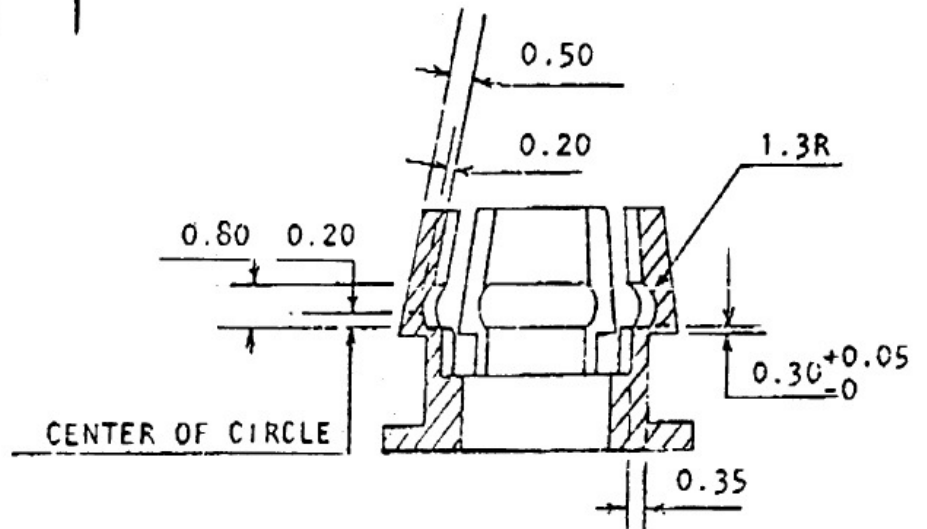
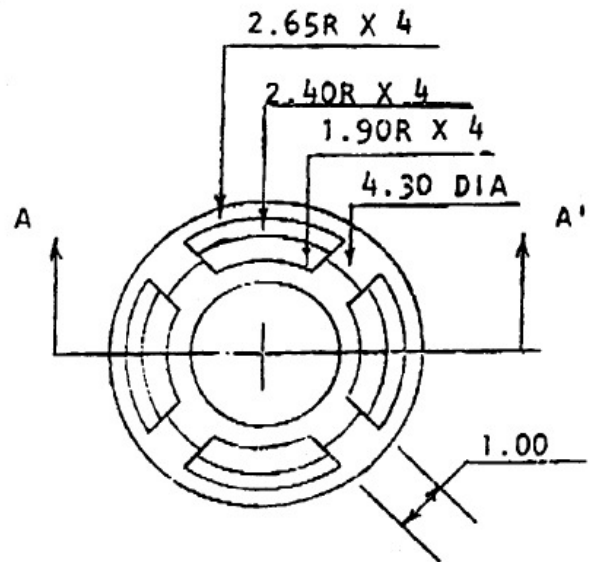
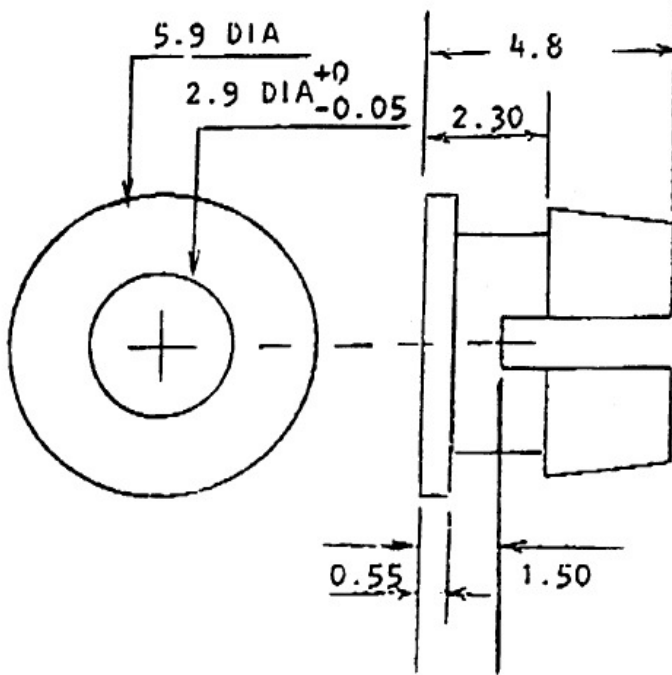
# LED TECHNOLOGY

A DIVISION OF THE FIBRE-DATA GROUP



## LED Holder

Part Number FDC003  
 Colour Black  
 For Use With: 3mm / T-1 LEDs



SECTION A-A'

TOL. IS .X  $\pm 0.1$   
 .XX  $\pm 0.05$