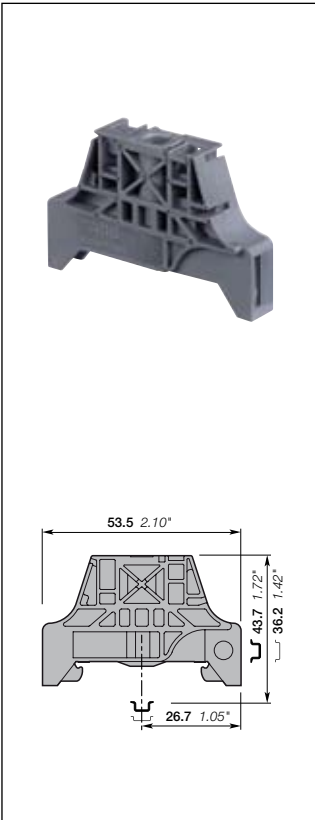




## BAM3 Screw End Stops

### Terminal Blocks Accessories



#### Features and Benefits

- Give efficient support to the SNK terminal blocks assemblies thanks to the BAM3 double gripping rail contact,
- Ease the assemblies identification with the BAM3 marking location compatible with all SNK markers and labels.

#### Mounting Instructions

Rail	Tool	Torque
DIN3-TH35	Flat screwdriver Ø 5.5 mm Ø 0.217 in	1.3 Nm ± 0.1 11.44 lb.in ± 0.88

Material Specifications	Insulating material	Polyamide	
	Flammability	V0	
	NF F 16 101	I2F2	
Ambient temperature min/max	Service IEC 60068-2-1	-55 +110 °C	-67 +230 F
	Storage	-55 +110 °C	-67 +230 F
	Installing	-5 +40 °C	-23 +104 F

#### Ordering Details

##### BAM3 End Stops

Description	Type	Order Code	Pack <sup>(ng)</sup> pieces	Weight g (1 pce)
10 mm 0.394 in spacing	Dark Grey ■	<b>BAM3</b>	50	13.80

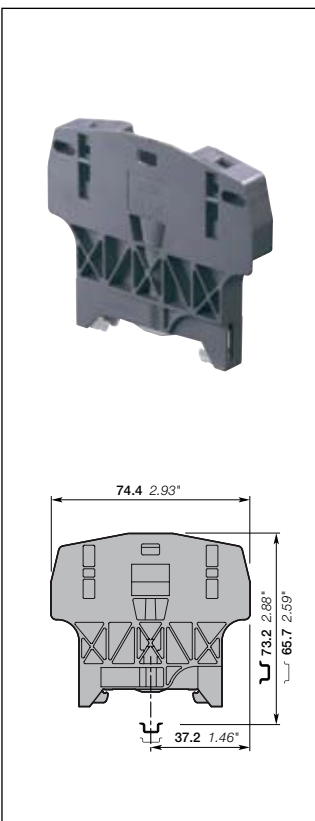
##### BAM3 Accessories

	Type	Order Code	Pack <sup>(ng)</sup> pieces	Weight g (1 pce)
1 Label Holder	Dark Grey ■	<b>LH</b>	50	0.60
	Dark Grey ■	<b>LH-R1</b>	50	1.08
Blank card	White □	<b>MC812</b>	22	0.09
Universal wire markers holder	Grey □	<b>UMH</b>	10	0.20
Self adhesive strip	White □	<b>SAT8</b>	5	6.00



## BAZH1 Screw End Stops

### Terminal Blocks Accessories



#### Features and Benefits

- Give efficient support to the SNK double deck or power terminal blocks assemblies thanks to the BAZH1 double gripping rail contact,
- Ease the assemblies identification with label holders.

#### Mounting Instructions

Rail	Tool	Torque
DIN3-TH35	Flat screwdriver Ø 5.5 mm Ø 0.217 in	1.3 Nm ± 0.1 11.44 lb.in ± 0.88

Material Specifications	Insulating material	Polyamide	
	Flammability	V0	
	NF F 16 101	I2F2	
Ambient temperature min/max	Service IEC 60068-2-1	-55 +110 °C	-67 +230 F
	Storage	-55 +110 °C	-67 +230 F
	Installing	-5 +40 °C	-23 +104 F

#### Ordering Details

##### BAZH1 End Stops

Description	Type	Order Code	Pack <sup>(ng)</sup> pieces	Weight g (1 pce)
10 mm 0.394 in spacing	Dark Grey ■	<b>BAZH1</b>	20	23.90

##### BAZH1 Accessories

	Type	Order Code	Pack <sup>(ng)</sup> pieces	Weight g (1 pce)
1 Label Holder	Dark Grey ■	<b>LH</b>	50	0.60
	Dark Grey ■	<b>LH-R1</b>	50	1.08