

omniconnect

P.C.B. connectors

Spacing 5.08 mm

Body : UL94 V0



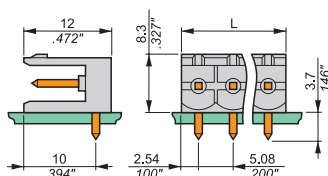
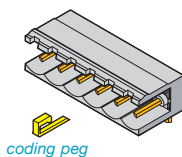
Plug shape
TILE

L 255 300

Horizontal socket open

Spacing 5.08 mm .200"

Pin 1 x 1 x 3.7 mm
.039" x .039" x .145"



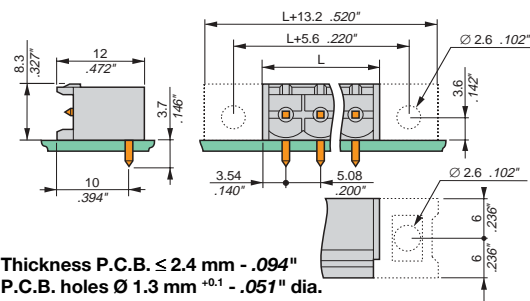
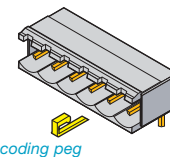
Thickness P.C.B. ≤ 2.4 mm - .094"
P.C.B. holes Ø 1.3 mm ^{+0.1} - .051" dia.

L 255 300 1

Horizontal socket closed

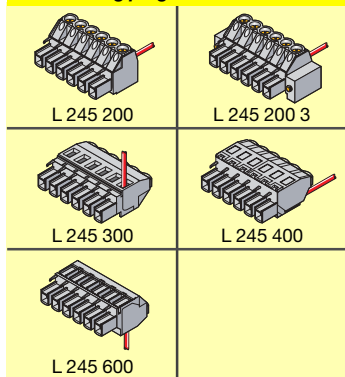
Spacing 5.08 mm .200"

Pin 1 x 1 x 3.7 mm
.039" x .039" x .145"



Thickness P.C.B. ≤ 2.4 mm - .094"
P.C.B. holes Ø 1.3 mm ^{+0.1} - .051" dia.

Mating plugs for sockets



Part number

Spacing 5.08 mm		Grey body
N. Poles	L. mm	Part number
2	10.16	L 255 302 01 000
3	15.24	L 255 303 01 000
4	20.32	L 255 304 01 000
5	25.40	L 255 305 01 000
6	30.48	L 255 306 01 000
7	35.56	L 255 307 01 000
8	40.64	L 255 308 01 000
9	45.72	L 255 309 01 000
10	50.80	L 255 310 01 000
12	60.96	L 255 312 01 000
14	71.12	L 255 314 01 000
15	76.20	L 255 315 01 000
16	81.28	L 255 316 01 000
18	91.44	L 255 318 01 000

Other numbers of poles 19...30, consult us

Part number

Spacing 5.08 mm		Grey body
N. Poles	L. mm	Part number
2	12.16	L 255 302 11 000
3	17.24	L 255 303 11 000
4	22.32	L 255 304 11 000
5	27.40	L 255 305 11 000
6	32.48	L 255 306 11 000
7	37.56	L 255 307 11 000
8	42.64	L 255 308 11 000
9	47.72	L 255 309 11 000
10	52.80	L 255 310 11 000
12	62.96	L 255 312 11 000
14	73.12	L 255 314 11 000
15	78.20	L 255 315 11 000
16	83.28	L 255 316 11 000
18	93.44	L 255 318 11 000

Other numbers of poles 19...30, consult us

Characteristics

Wire size

	DIN-VDE	UL	CSA	NFC-UTE
Solid				
Stranded				

Voltage

V	250 Gr.C	300	300	250 Cat.C
~	250 Gr.C			250 Cat.C
=	250 Gr.C			250 Cat.C

Current at 20° C

A	12	10	10	12

Rated wire size

Other characteristics

Wire stripping length	Recomm. screwdriver	Recomm. torque	Protection

Max. working temperature : 85 °C
Contact resistance : ≤ 5 mΩ
Contact plating : gold plating on request

Approvals



Accessories

- Coding peg
- Flange assembly

Type	Part number	Type	Part number
	L 299 085 06 000		L 299 085 06 000
			L 299 063 00 000
R	See section on marking	Marking using adhesive strips 1...25	L 93 025 05 100