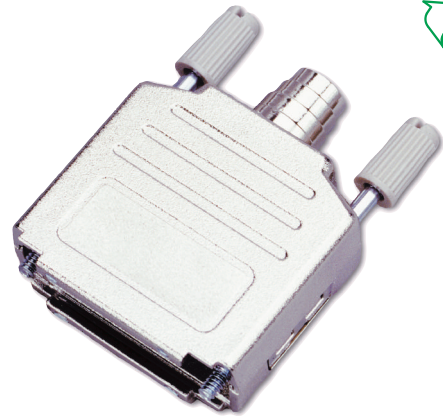
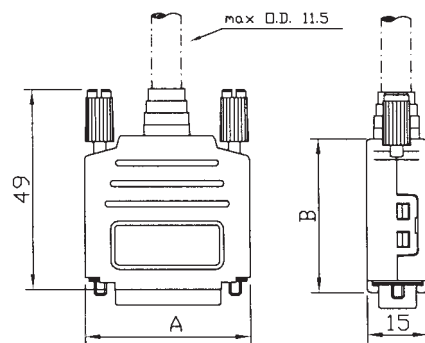
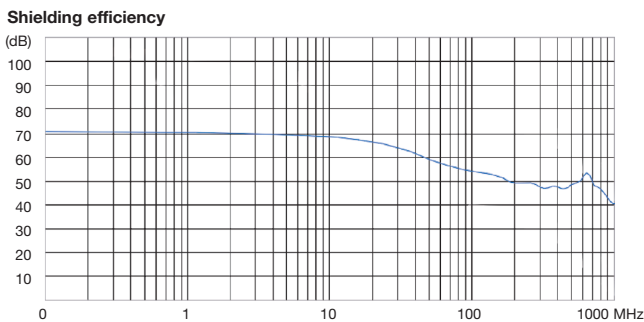


TECHNICAL SPECIFICATIONS

Material:	UL94 V-0 Plastic material
Operating Temperature:	-30°C to +90°C
Cable Entry:	Top
Thumbscrews:	UNC 4-40 (standard) M2,5 or M3,0 on request
Cable Diameter:	Up to 11,5 mm
Accessories:	See page 40-43
Screening Test:	SP Swedish National Testing and Research Institute



Shielding Effectiveness - MHDPPK-T/M-Series



Features:

- Available in sizes 9, 15, 25 and 37-way
- Suitable for any common D-sub connector
- Quick-Snap locking system
- Re-openable
- Company logo available upon request
- Also available in Unshielded version
- Recyclable

Size	Dim A	Dim B	Dim C
9-way	32,5	38,0	23,5
15-way	41,0	38,0	23,7
25-way	54,5	40,0	22,5
37-way	71,0	40,0	25,5

Ordering information:

Hoods in Single-Pack:

9-way	6260-0105-01
15-way	6260-0105-02
25-way	6260-0105-03
37-way	6260-0105-04

Hoods in Bulk-Pack:

9-way	6261-0105-01
15-way	6261-0105-02
25-way	6261-0105-03
37-way	6261-0105-04

