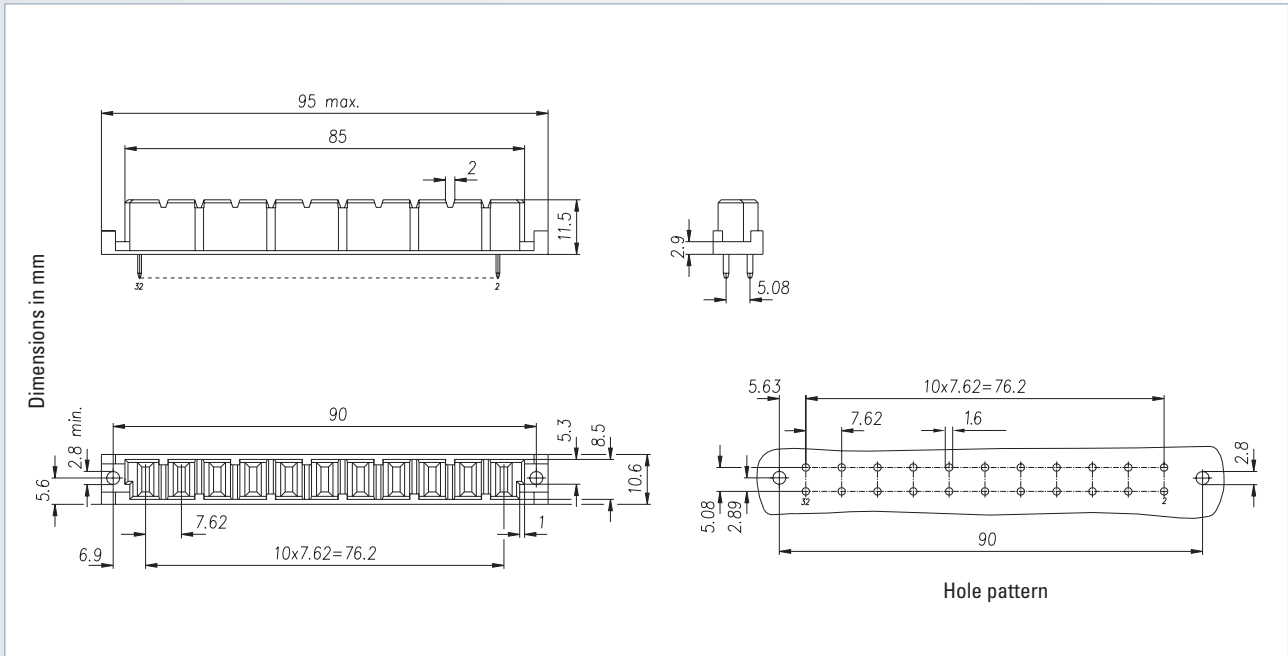


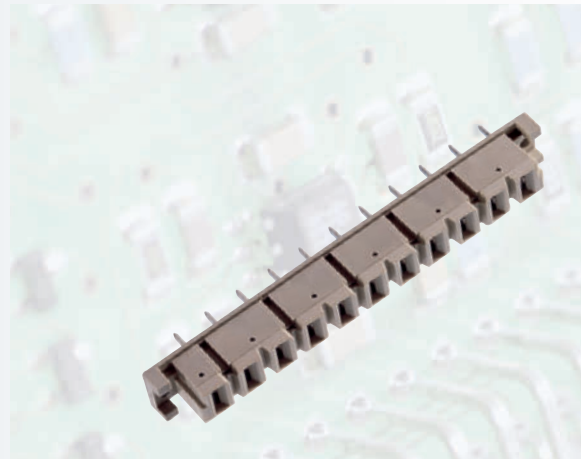
# Connectors according to DIN 41612 / IEC 60603-2

## Type H11 low profile

Female connector



No. of contacts	Contact arrangement	Solder technology – Performance level II	
		Termination length	
		Part number	
11		114-40050	



### Accessories

– Coding accessories (see page 160)