

Miniature pulse counter W 15



- 5 digit miniature pulse counter, adding with manual reset
- Power consumption min. 130 mW
- Suitable for battery operation
- long operating life (50 Mio. pulses)
- Available for all DC and AC voltages
- DIN housing 24 x 48 available

Applications

- Self powered device, battery operation
- Vending machines, automatic message systems
- general counting systems

Technical data:

Electrical connection:	Standard:	Flying leads AWG 22, appr. 150 mm long
	Options:	Pins \varnothing 1.5 mm with push on connectors
Rated voltage:	type 05:	1.5/3/4.5/5/6/12 V DC +15 % -5 %
	type 0:	12/24/48/115/185 V DC \pm 10 %
	type a0:	12/24/48/115/230 V AC \pm 10 %
Cycle duration factor:	100 %	
Hight of figures	appr. 1.7 x 4 mm	
Colour of figures:	white on black	
Shafts:	stainless steel	
Ambient temperature:	-10 ... +50 °C	
Mounting position	any	
Operating life:	> 50 x 10 ⁶ pulses	
Colour of housing:	Panel model W 15.01, W15.21.56, W 15.91: light grey	
	Base mount model AW 15.01: black	
	Panel mount: W15.51	
Weight	AC 52 g, DC 62 g	

Options:

- Electrical Connection: instead of flying leads, pin \varnothing 1.5 mm with push on connectors
Art.-No.: 1.151.X1X.XXX
- with Flat pin 0.8 x 2.8 mm and flat push on connectors
Art.-No.: 1.159.X1X.XXX
- ...with flat pin 0.8 x 6.3
...Art.-No.: 1.155.XXX.XXX
- ...with screw terminal
... Art.-No.: 1.154.XXX.XXX
- different temperature range on request

Series:

Type	Description
W 15.01	Housing without front panel, rear screw mount
W 15.21	Panel mount with spring clip 31 x 20 mm
W 15.21.56	Built in counter with spring, dimension 31 x 20 mm
W 15.51	DIN housing 24 x 48, dimension 22 x 45 mm
W 15.91	Built in counter with spring, dimension 37.5 x 23.5 mm
AW 15.01	Base mount with two mounting holes

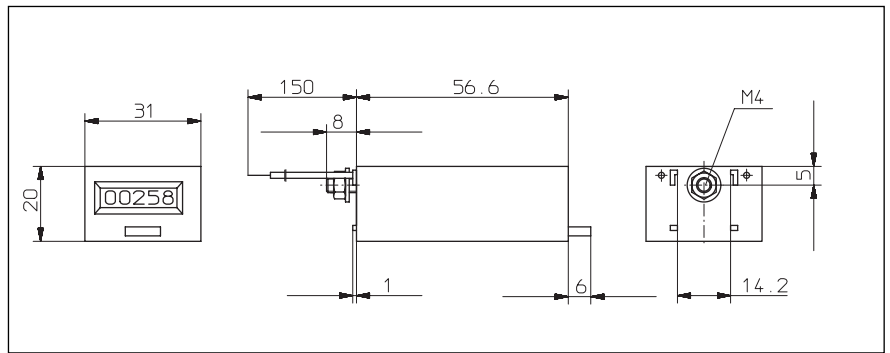
Counting mechanism:

Voltage	Model	Max. pulse speed	Pulse on time	Pulse interval min.	Power consupt. appr.	Residual ripple voltage max.
V DC	05	8	50 ms	75 ms	130 mW	5 %
	0	10	50 ms	50 ms	0.5 W (\leq 115 V) 1 W (185 V)	48 %
V AC	a0	10	50 ms	50 ms	0,75 VA (\leq 115 V) 1.5 VA (230 V)	

Ordering information

- Article number
- For special voltages, please give type, voltage, kind of voltage and series e.g. W 15.21, 4.5 V DC/0, black.

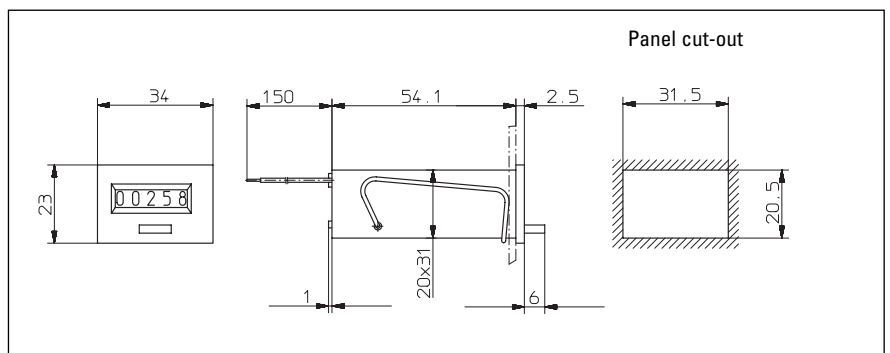
Type W 15.01



W 15.01 (5 digit)	12 V Art.-No.	24 V Art.-No.	115 V Art.-No.	230 V Art.-No.
DC (8 Imp/s)	1.150.010.049	1.150.010.050		
DC (10 Imp/s)	1.150.010.012	1.150.010.013		
AC (10 Imp/s)		1.150.010.051	1.150.010.054	1.150.010.056

Colour of housing black
Art.-No. 1.150.011.XXX

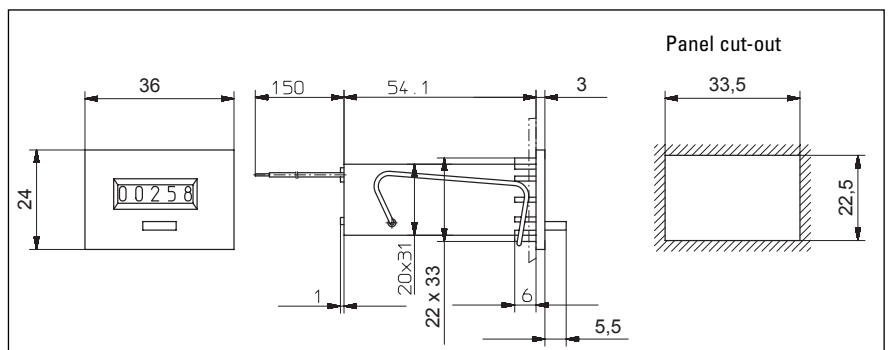
Type W 15.21



W 15.21 (5 digit)	12 V Art.-No.	24 V Art.-No.	115 V Art.-No.	230 V Art.-No.
DC (8 Imp/s)	1.150.210.049	1.150.210.050		
DC (10 Imp/s)	1.150.210.012	1.150.210.013		
AC (10 Imp/s)		1.150.210.051	1.150.210.054	1.150.210.056

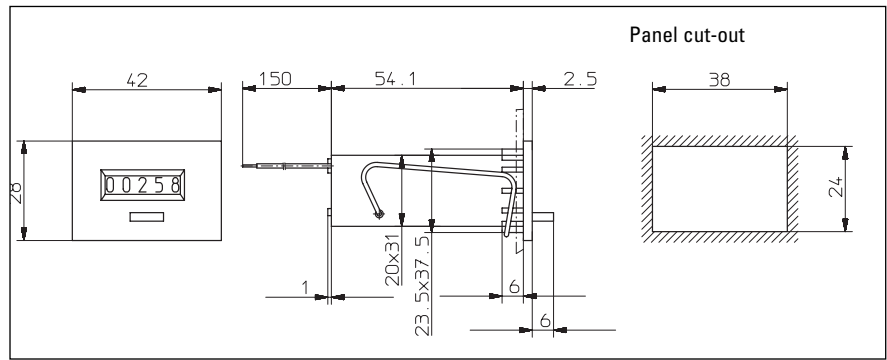
Colour of housing black:
Art.-No. 1.150.211.XXX

Type W 15.21.56



W 15.21.56 (5 digit)	12 V Art.-No.	24 V Art.-No.	115 V Art.-No.	230 V Art.-No.
DC (8 Imp/s)	1.150.210.049.056	1.150.210.050.056		
DC (10 Imp/s)	1.150.210.012.056	1.150.210.013.056		
AC (10 Imp/s)		1.150.210.051.056	1.150.210.054.056	1.150.210.056.056

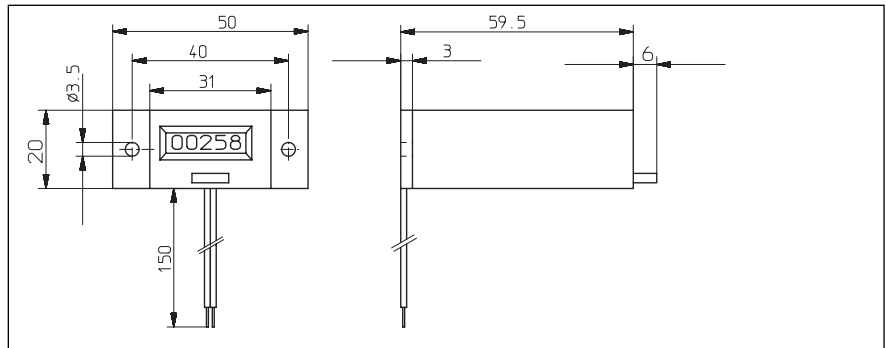
Type W 15.91



W 15.91 (5 digit)	12 V Art.-No.	24 V Art.-No.	115 V Art.-No.	230 V Art.-No.
DC (8 Imp/s)	1.150.910.049	1.150.910.050		
DC (10 Imp/s)	1.150.910.012	1.150.910.013		
AC (10 Imp/s)		1.150.910.051	1.150.910.054	1.150.910.056

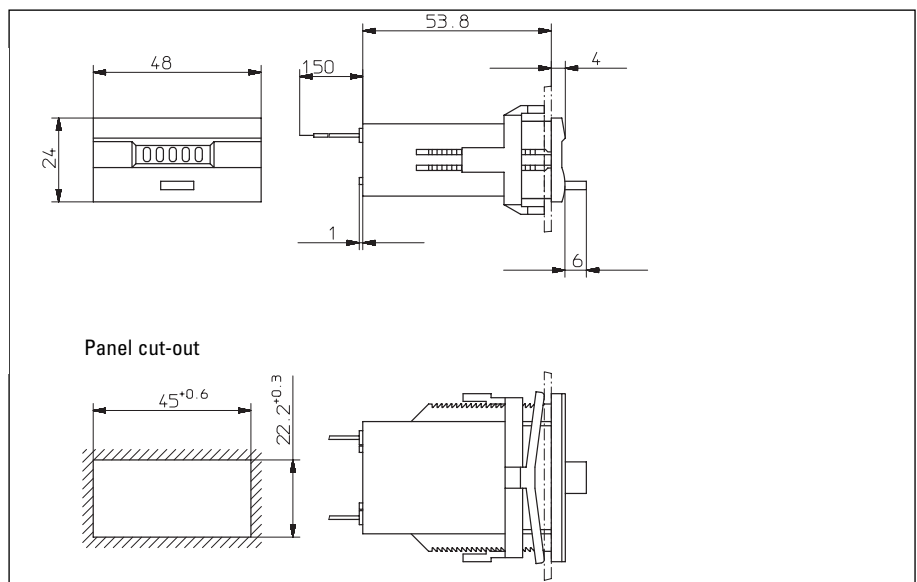
Colour of housing black:
Art.-No. 1.150.911.XXX

Type AW 15.01



AW 15.01 (5 digit)	12 V Art.-No.	24 V Art.-No.	115 V Art.-No.	230 V Art.-No.
DC (8 Imp/s)	1.152.011.049	1.152.011.050		
DC (10 Imp/s)	1.152.011.012	1.152.011.013		
AC (10 Imp/s)		1.152.011.051	1.152.011.054	1.152.011.056

Type W 15.51



W 15.51	12 V Art.-No.	24 V Art.-No.	115 V Art.-No.	230 V Art.-No.
DC (8 Imp/s)	1.150.510.049.550	1.150.510.050.550		
DC (10 Imp/s)	1.150.510.012.550	1.150.510.013.550		
AC (10 Imp/s)		1.150.510.051.550	1.150.510.054.550	1.150.510.056.550