

Micro Display counter K 46/K 47 shock resistant



- 6/7-digit micro adding counter
- low cost
- **high shock resistance**
- low power consumption; suitable for battery operation
- small dimensions
- magnified large figures
- different mounting solutions
- flush mount with integrated spring clip (snap in)
- PCB-mount versions

- solderable and wash proof
- protection to IP 66
- stores value also at power failure
- long service life (50 x 10⁶ impulses)

Applications

charge counting, kWh registration alarm systems, compact units, copiers, fuel dispensers, medical equipment, miniature pumps, dosing machines, gates, general event counting

Technical data:

Electrical Connection:	flush mount	flying leads AWG 22 app. 150 mm
	PCB mount:	solder pins \varnothing 0.64 mm
Power consumption:	up to 12 V DC:	appr. 70 mW
	at 24 V DC:	appr. 150 mW
Rated voltage:	1.5/3/4.5/5/6/12/24 V DC -10 % +20 %	
Counting frequency:	max. 10 Imp/s (type 0)	
Pulse duration	min. 50 ms	
Pulse interval:	min. 50 ms	
Cycle duration factor:	100 %	
Number of digits:	6 (K46), 7 (K47)	
Counting system	adding	
Height of figures	K 46: 4 x 1.7 mm, K 47: 4 x 1,25 optical	
Colour of figures:	white on black	
Reset:	no reset	
Ambient temperature:	-10 ... +60 °C	
Mounting position	any	
Operating life:	> 50 x 10 ⁶ impulses	

solderable and wash proof types: K 46.80, K 46.90, K 46.91, K 46.94, K 46.95
K 47.80, K 47.90, K 47.91

Protection: IP 65 (K 46.20, K 47.20: on frontside)

Housing: clear plastic

Weight: 12 ... 14 g

Options:

K46.20, K46.80; K47.20 K47.80: flat pin 0.8 x 2.8 mm and push on connectors

K 46.9x ... 71: types with spacer (high 6 mm Draw. 1)

K 47.9x ... 71:

further options:

- different voltages
- counting frequency > 10 Imp/s
- different colour of figures
- extended temperature range: -30 ... +85 °C or -20 ... +70 °C

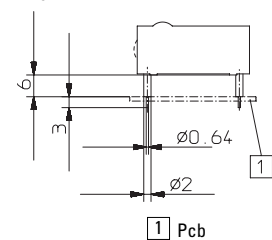
Series:

Type	Display	el. Connection	Description
K46.20, K47.20	Small side	Flying leads	Panel mount with latch
K46.80, K47.80	Small side	Solder pins	PCB mount wash proof
K46.90, K47.90,	Large side	Solder pins	PCB mount wash proof
K46.91, K47.91	Small side	Solder pins	PCB mount wash proof
K46.94	Large side	Solder pins	PCB mount wash proof
K46.95	Small side	Solder pins	PCB mount wash proof

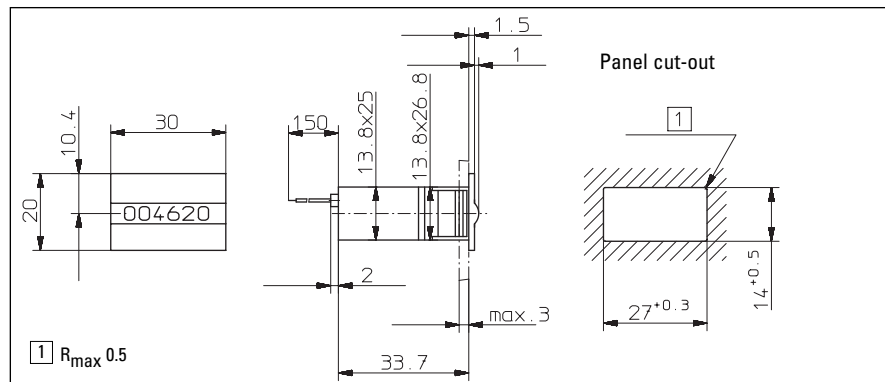
Ordering information

- Article number
- for options please give exact counter type, voltage and options e.g. 1.700.200.012 K 46.20, 12 V DC/0 temperature range -20 °C ... +70 °C

Draw 1

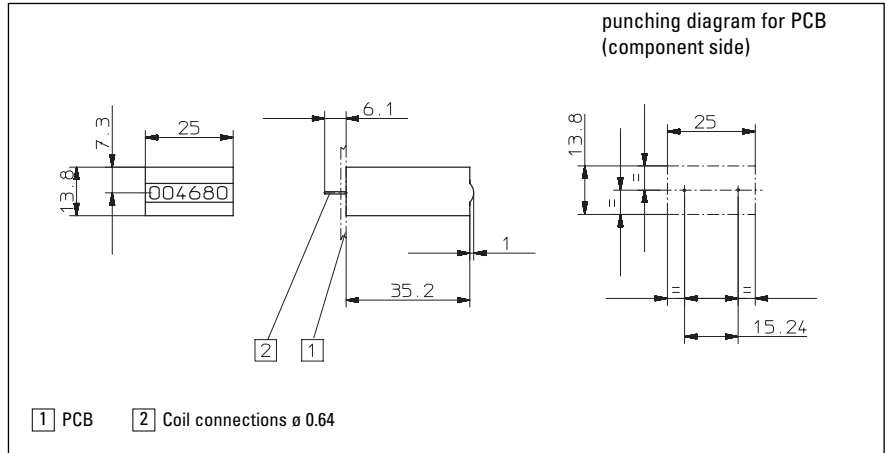


Type K 46.20/K47.20



	1.5 V	3 V	4.5 V	5 V	6 V	12 V	24 V
K 46.20	1.5 V	3 V	4.5 V	5 V	6 V	12 V	24 V
	Art.-No.	Art.-No.	Art.-No.	Art.-No.	Art.-No.	Art.-No.	Art.-No.
DC (10 Imp/s)	1.700.200.002	1.700.200.006	1.700.200.008	1.700.200.009	1.700.200.010	1.700.200.012	1.700.200.013
K 47.20	1.5 V	3 V	4.5 V	5 V	6 V	12 V	24 V
	Art.-No.	Art.-No.	Art.-No.	Art.-No.	Art.-No.	Art.-No.	Art.-No.
DC (10 Imp/s)	1.710.200.002	1.710.200.006	1.710.200.008	1.710.200.009	1.710.200.010	1.710.200.012	1.710.200.013

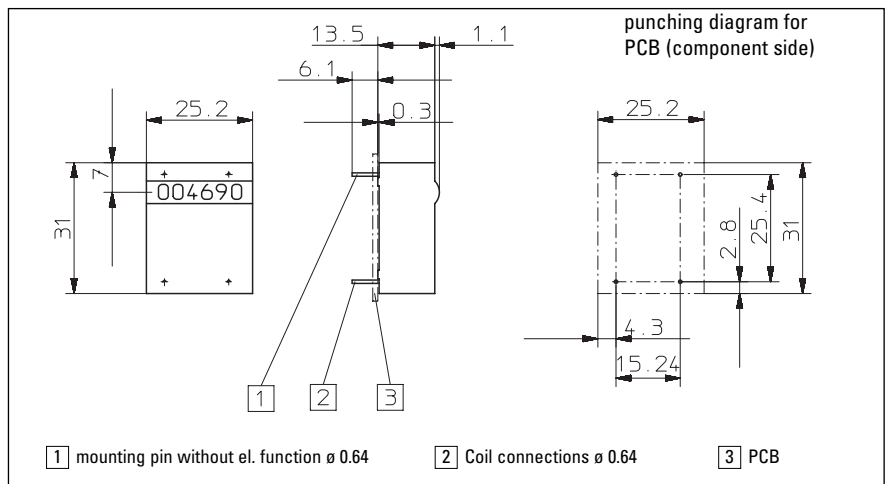
Type K 46.80/K 47.80



K 46.80	1.5 V Art.-No.	3 V Art.-No.	4.5 V Art.-No.	5 V Art.-No.	6 V Art.-No.	12 V Art.-No.	24 V Art.-No.
DC (10 imp/s)	1.700.800.002	1.700.800.006	1.700.800.008	1.700.800.009	1.700.800.010	1.700.800.012	1.700.800.013

K 47.80	1.5 V Art.-No.	3 V Art.-No.	4.5 V Art.-No.	5 V Art.-No.	6 V Art.-No.	12 V Art.-No.	24 V Art.-No.
DC (10 imp/s)	1.710.800.002	1.710.800.006	1.710.800.008	1.710.800.009	1.710.800.010	1.710.800.012	1.710.800.013

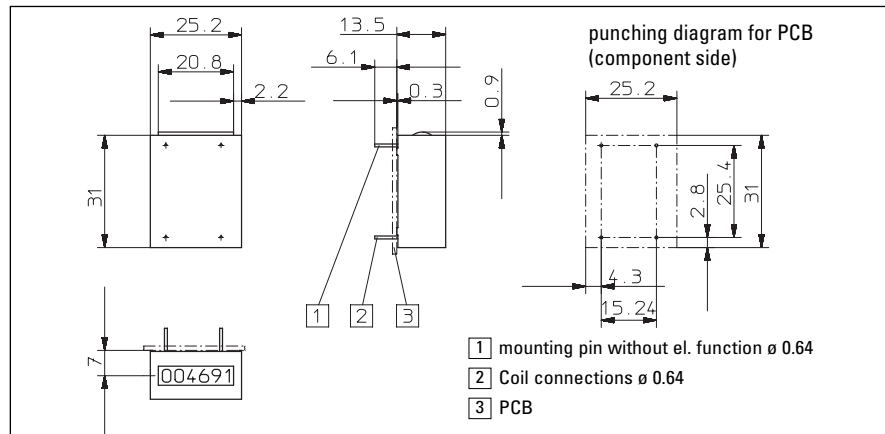
Type K 46.90/K 47.90



K 46.90	1.5 V Art.-No.	3 V Art.-No.	4.5 V Art.-No.	5 V Art.-No.	6 V Art.-No.	12 V Art.-No.	24 V Art.-No.
DC (10 imp/s)	1.700.900.002	1.700.900.006	1.700.900.008	1.700.900.009	1.700.900.010	1.700.900.012	1.700.900.013

K 47.90	1.5 V Art.-No.	3 V Art.-No.	4.5 V Art.-No.	5 V Art.-No.	6 V Art.-No.	12 V Art.-No.	24 V Art.-No.
DC (10 imp/s)	1.710.900.002	1.710.900.006	1.710.900.008	1.710.900.009	1.710.900.010	1.710.900.012	1.710.900.013

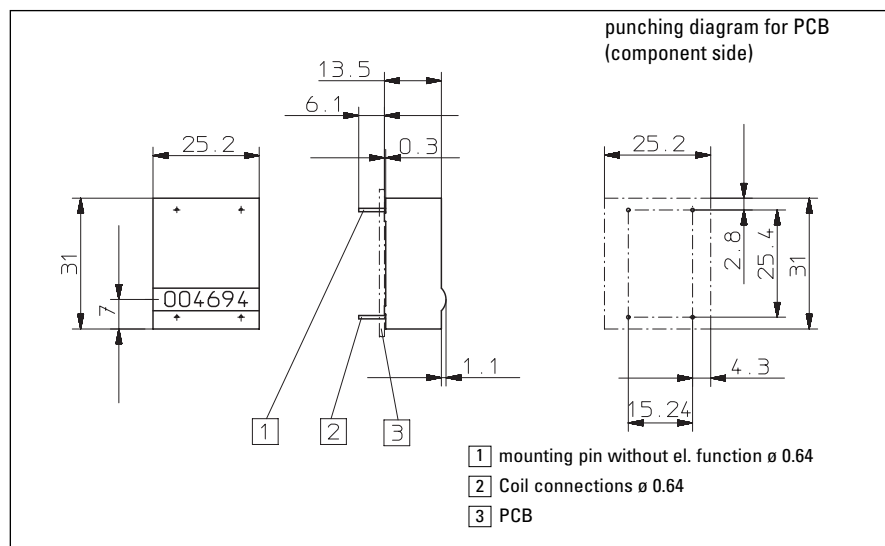
Type K 46.91/K 47.91



K 46.91	1.5 V Art.-No.	3 V Art.-No.	4.5 V Art.-No.	5 V Art.-No.	6 V Art.-No.	12 V Art.-No.	24 V Art.-No.
DC (10 imp/s)	1.700.910.002	1.700.910.006	1.700.910.008	1.700.910.009	1.700.910.010	1.700.910.012	1.700.910.013

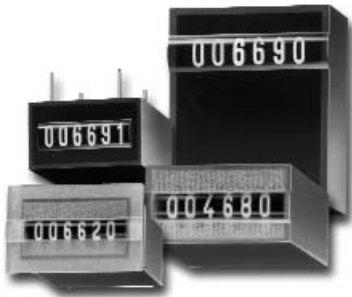
K 47.91	1.5 V Art.-No.	3 V Art.-No.	4.5 V Art.-No.	5 V Art.-No.	6 V Art.-No.	12 V Art.-No.	24 V Art.-No.
DC (10 imp/s)	1.710.910.002	1.710.910.006	1.710.910.008	1.710.910.009	1.710.910.010	1.710.910.012	1.710.910.013

Type K 46.94



K 46.94	1.5 V Art.-No.	3 V Art.-No.	4.5 V Art.-No.	5 V Art.-No.	6 V Art.-No.	12 V Art.-No.	24 V Art.-No.
DC (10 imp/s)	1.700.940.002	1.700.940.006	1.700.940.008	1.700.940.009	1.700.940.010	1.700.940.012	1.700.940.013

Micro Display counter K 66, K 67 shock- and magnetic field resistant



- 6/7-digit micro adding counter
- **not affected by magnetic fields as moving parts are made from plastic or non-ferrous metal (patented system).**
- **maximum shock resistance, as a counter-rotating movement is required for counting, ACR-system (patented).**
- Low power consumption; suitable for battery consumption
- small dimensions
- large optical figures
- Flush mount with integrated spring clip

- PCB-mount versions
- Solderable and wash proof
- Protection IP 65
- Stores value also at power failure
- Long service life

Applications

charge counting, kWh registration alarm systems, compact units, copiers, fuel dispensers, medical techniques, miniature pumps, dosing techniques, gates general event counting

Technical data:

Electrical Connection:	flush mount:	Flying leads AWG 22 appr. 150 mm
	PCB-mount:	solder pins \varnothing 0.64 mm
Power consumption: (at 20 °C)	up to 6 V DC:	appr. 70 mW
	at 12 V DC:	appr. 120 mW
	at 24 V DC:	appr. 500 mW
Rated voltage:	1.5/3/4.5/5/6/12/24 V DC -10% $+20\%$	
Counting frequency:	max. 10 Imp/s (type 0)	
Pulse duration:	min. 50 ms	
Pulse interval:	min. 50 ms	
Cycle duration factor:	100 %	
Number of digits:	6 (K 66), 7 (K 67)	
Counting system:	adding	
Hight of figures:	K 66: 4 x 1.7 mm K 67: 4 x 1,25 mm optical	
Colour of figures:	white on black	
Reset:	no reset	
Ambient temperature:	$-10 \dots +60$ °C	
Mounting position:	number wheel view horizontal	

Operating life:	$> 50 \times 10^6$ pulses
solderable and wash proof types	K 66.80, K 66.90, K 66.91, K 66.94, K 66.95 K 67.80, K 67.90, K 67.91
Protection:	IP 65 (K 66.20, K 67.20: only front side)
Housing:	clear plastic types with protection IP 65 are sealed
Weight	9 ... 11 g

Options

- K 66.20, K 66.80, K 67.20, K 67.80: flat pin 0.8 x 2,8 mm and push on connectors
 K 66.20, K 67.20: solder pins \varnothing 0.64 mm
 K 66.9x ... 71, K 67.9x ... 71: types with spacer (High 6 mm Draw.1)
 Further options:
 – different voltages
 – counting frequency > 10 Imp/s
 – different colour of figures
 – extended temperature range
 $-30 \dots +85$ °C or $-20 \dots +70$ °C

Series:

Type	Display	el. Connection	Description
K66.20, K 67.20	Small side	Flying leads	Panel mount with latch
K66.80, K 67.80	Small side	Solder pins	PCB mount wash proof
K66.90, K 67.90	Large side	Solder pins	PCB mount wash proof
K66.91, K 67.91	Small side	Solder pins	PCB mount wash proof
K66.94	Large side	Solder pins	PCB mount wash proof
K66.95	Small side	Solder pins	PCB mount wash proof

Type K 66.20/K 67.20



Order code see next page.

