

Micro Hour meter HK 07



- 7 digit micro hour meter
- **High shock resistance**
- Low power consumption allows battery operation
- Small size
- Magnified figures
- Built in counter
- PCB mount counter
- Solderable and wash proof version
- Protection IP 65
- Wide voltage range 4.5 ... 35 V DC

- Data retention if power is lost
- long life time service

Applications

general counting, service interval for measurement systems (respiratory ventilators, oxygen machines, dialysis machines), small appliances, UV lamps, display panels in cars.

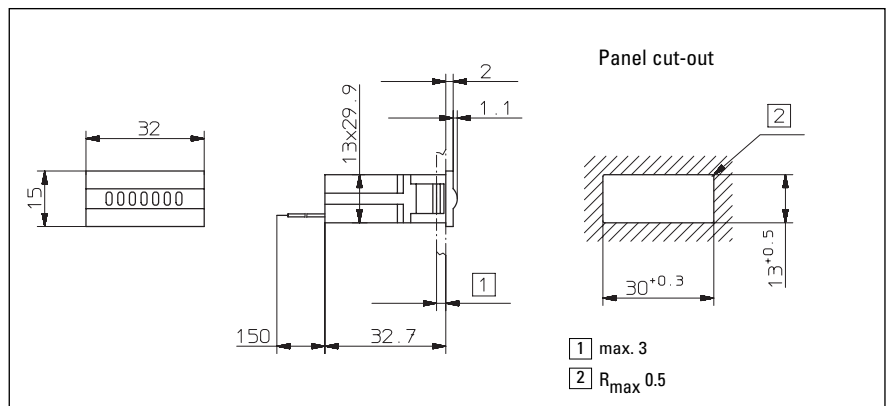
Technical data:

Electrical connection:	base mount models: Flying leads appr. 150 mm (red +, black -)	Height of figures:	1.35 x 2.8 mm
	PCB mount models: silver plated solder pins 0.4 x 1.2 mm	Colour of figures:	white and red on black
Typ. power consumption:	at $U_B = 5 \text{ V DC}$ appr. 82 mW	Reset:	no
	at $U_B = 12 \text{ V DC}$ appr. 135 mW	Ambient temperature:	-10 ... +60 °C
	at $U_B = 24 \text{ V DC}$ appr. 135 mW	Mounting position:	any
	max. 170 mW (every 36 s with a pulse length of 32 ms)	Solderable and wash proof versions:	HK 07.90, HK 07.91, HK 07.92,
Rated voltages:	4.5 ... 35 V DC	Protection:	up to IP 65 depending on kind of type
Residual ripple:	< 1 %	Conforms to ce:	EN 61000-6-2
Current consumption:	< 1.5 mA (average)	requirements acc. to:	EN 55011 class B
On time:	100 %	Housing:	Plastic
Display:	7 figures (99999.99 h)	Weight:	12 ... 14 g
Accuracy:	22.5 ppm at 20 °C	Options:	
Count mode:	adding	HK 07.20	Flat pins 0.3 mm x 2,8 mm
		Further options:	Temperature range -30 ... +85 °C, -20 ... +70 °C

Available types:

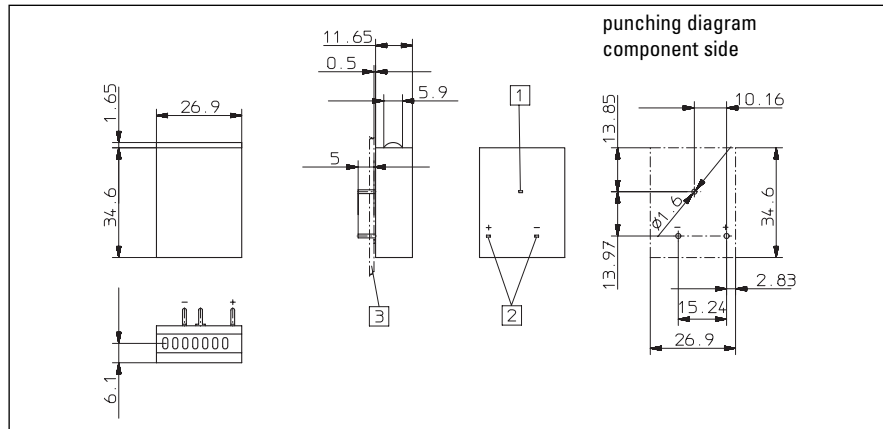
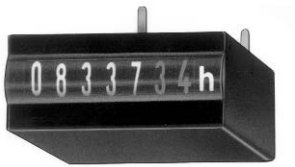
Type	Housing	Height of figures	display	Termination	Description
HK 07.20	Plastic	4 mm	On narrow side	Flying leads	Flush mount with click stop device
HK 07.40	Steel sheet	4 mm	On broad side	Solder pins	PCB-mount
HK 07.50	Steel sheet	4 mm	On narrow side	Solder pins	PCB-mount
HK 07.80	Plastic	4 mm	On narrow side	Solder pins	PCB-mount
HK 07.90	Plastic	4 mm	On broad side	Solder pins	PCB-mount wash proof
HK 07.91	Plastic	2,8 mm	On narrow side	Solder pins	PCB-mount wash proof
HK 07.92	Plastic	4 mm	On narrow side	Solder pins	PCB-mount wash proof
AHK 07.00	Plastic	4 mm	On narrow side	Flying leads	Base mount

Type HK 07.20



Order information:

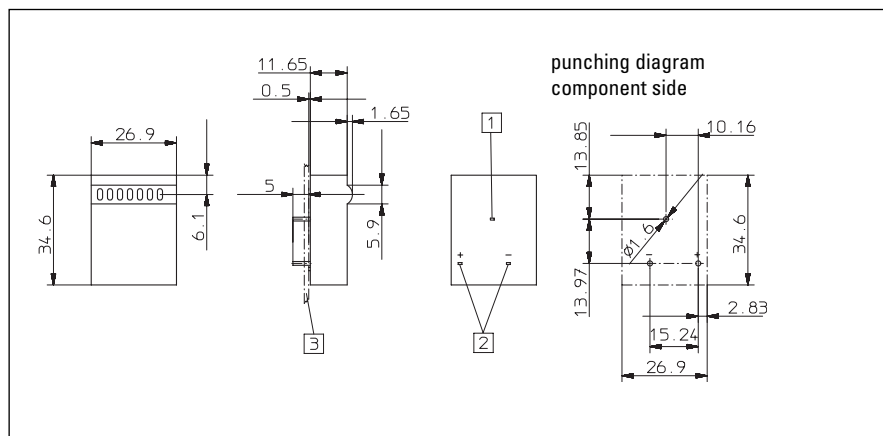
	4.5 ... 35 V
Art-No.	3.100.200.383



HK 07.50	4.5 ... 35 V DC	
Art-No.	3.100.501.383	

- 1 Potential free mounting pin 0.4 x 1.2
- 2 Coil connections 0.4 x 1.2
- 3 PCB

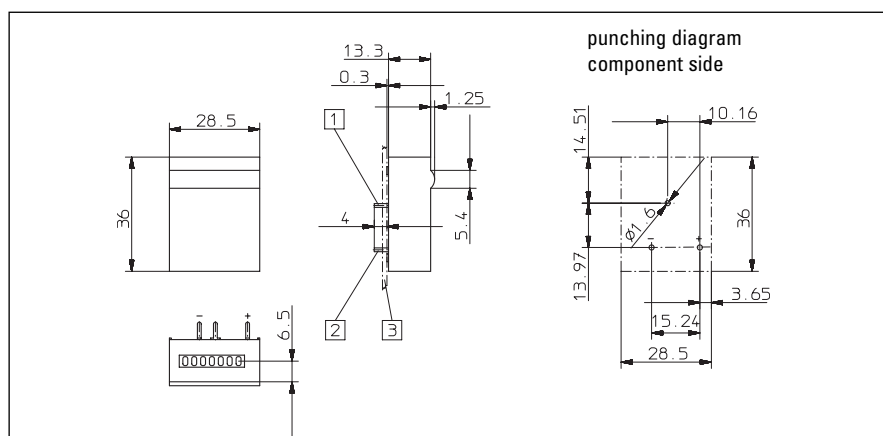
Type HK 07.40



HK 07.40	4.5 ... 35 V DC	
Art-No.	3.100.401.383	

- 1 Pins without el. function 0.4 x 1.2 mm
- 2 Coil connections 0.4 x 1.2 mm
- 3 PCB

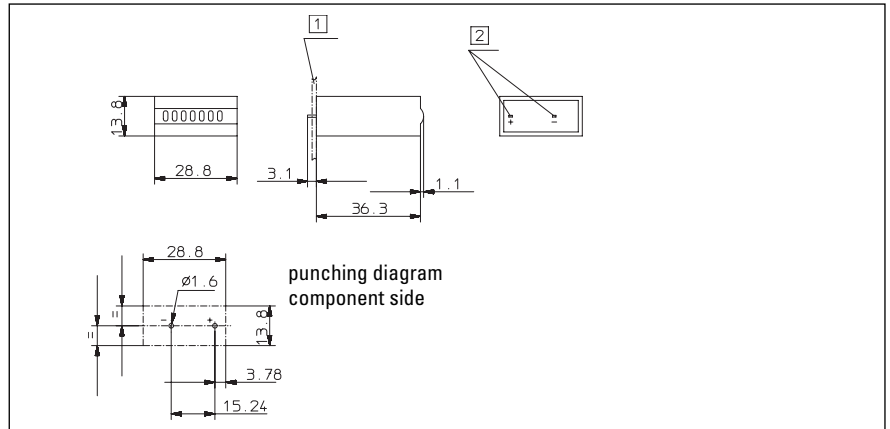
Type HK 07.91



HK 07.91	4.5 ... 35 V	
Art-No.	3.100.910.383	

- 1 Potential free mounting pin 0.4 x 1.2 mm
- 2 Coil connections \varnothing 0.64 0.4 x 1.2 mm
- 3 PCB

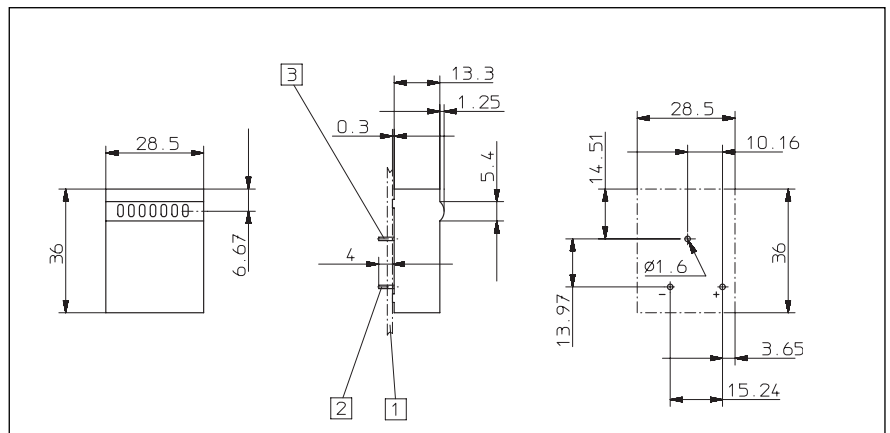
Type HK 07.92



HK 07.92	4.5 ... 35 V	
Art-No.	3.100.920.383	

- 1 Potential free mounting pin 0.4 x 1.2 mm
- 2 Coil connections 0.4 x 1.2 mm
- 3 PCB

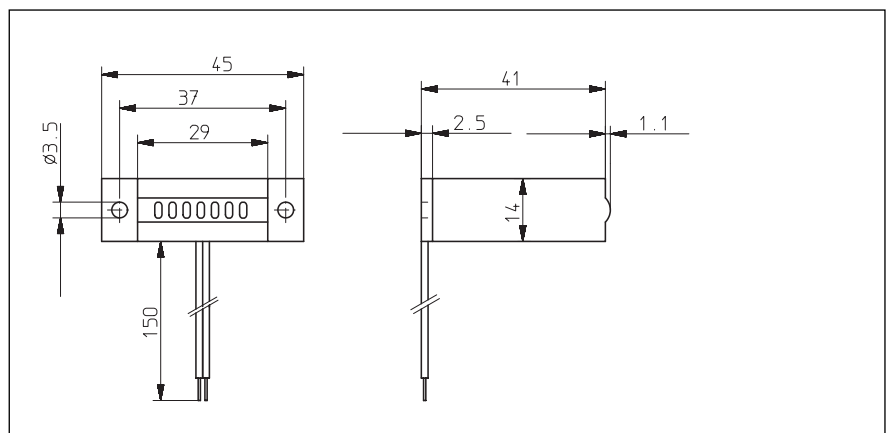
Type HK 07.90



HK 07.90	4.5 ... 35 V	
Art-No.	3.100.900.383	

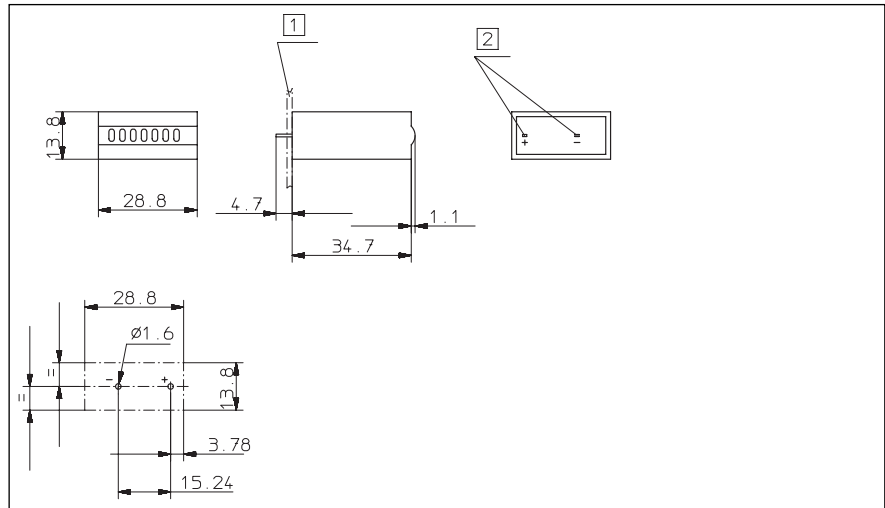
- 1 Potential free mounting pin 0.4 x 1.2 mm
- 2 Coil connections 0.4 x 1.2 mm
- 3 PCB

Type AHK 07.00



AHK 07.00	4.5 ... 35 V	
Art-No.	3.100.000.393	

Type HK 07.80



HK 07.80	4.5 ... 35 V	
Art-No.	3.100.800.383	

- 1 Potential free mounting pin 0.4 x 1.2 mm
- 2 Coil connections 0.4 x 1.2 mm