

Type series HC 77



- **Combination counter consists of time meter and adding counter in one**
- Without reset
- High shock resistance
- Magnified figures
- Protection IP 52 (front)
- Data retention if power is lost
- Long service life
- UL-approval

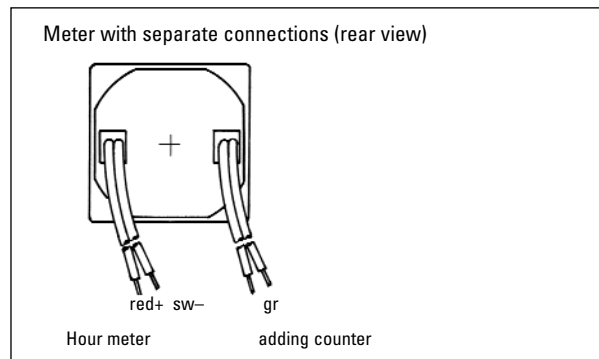
Applications

general counting, service interval for measurement systems (respiratory ventilators, oxygen machines, dialysis machines), small appliances, UV lamps, display panels in cars.

Technical data:

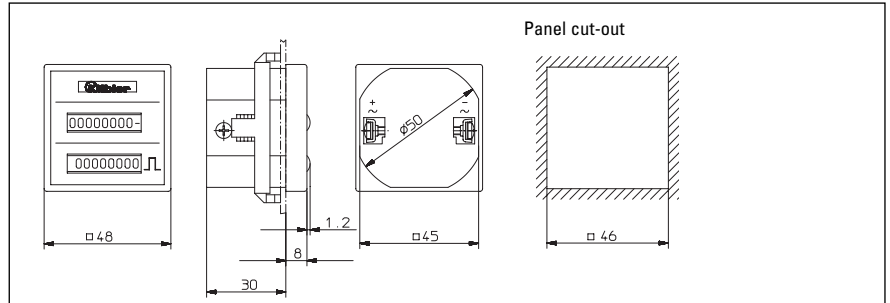
Electrical connection:	Flat pin 0,8 x 6,3 mm with screw terminal tightening torque max. 0,8 Nm
Power consumption:	10 ... 30 V DC: appr. 1 W 36 ... 80 V DC: appr. 1.65 W 100 ... 130 V DC: appr. 1.75 W 20 ... 30 V AC, 50 Hz: appr. 0.53 VA 42...48 V AC, 50 Hz: appr. 0.53 VA 100...130 V AC, 50 Hz: appr.1.43 VA 187...264 V AC, 50Hz: appr. 3.0 VA
Rated voltages:	20 ... 30/42 ... 48/100 ... 130/187 ... 264 V AC 50 or 60 Hz, 10 ... 30/36 ... 80/100 ... 130 V DC
On time:	100 %
Count mode:	adding
Height of figures:	4 x 1.7 mm
Colour of figures:	Hour: white on black Decimal: red on black
Operating indicator of the running time meter:	
AC:	Fast rotating wheel with red dashes: 99999.99 h
DC:	1/100 h display turns continuously by 1 digit in 36 s: 99999.99 h
Accuracy:	AC: Supply frequency + 30 ms DC: < 0.003 % (24 h)
Reset:	no
Ambient temperature:	-15 ... +50 °C
Mounting position:	any
Protection:	IP 65 (from front, when built in)
Colour of housing:	black
Weights:	
HC 77	65 g
Plug in frame 55	8 g

Plug in frame 72	13g
Options:	<ol style="list-style-type: none"> 1. Colour of housing: grey Art-No. 3.55X.400.XXX 2. Flat pin 0.8 x 6.3 mm Art-No.: 3.55X.40X.XXX.011 3. Separate connections for running time meter and adding counter. This model is available for AC or DC (not mixed) Adding counter max. 10Imp/s Electrical connections: 2 x cable 2 x 0.5 mm² NYFAZ, 0.5 m long (hour meter cable red/black, adding counter grey cable) Art-No. 3.55X.40X.XXX.060 4. Sealed window (IP 65 front) with: <ul style="list-style-type: none"> - Screw terminal: Art-No. 3.55X.40X.XXX.419 - Flat pin 0,8 x 6,3 mm Art-No. 3.55X.40X.XXX.062 - Separated connections (cable) Art-No. 3.55X.40X.XXX.061
Approvals:	UL for USA and Canada E128604
Order information:	Art-No. (for special voltages etc. indicate exact model, voltage and frequency e.g. HC 77, 120 V AC, 60 Hz)



Type series HC 77

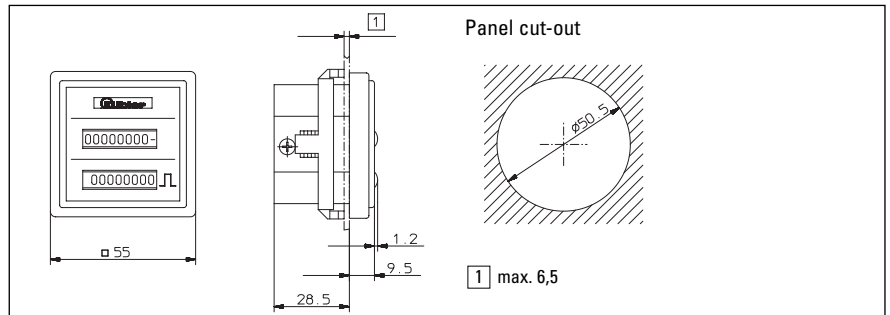
HC 77



Voltage	Art-No. (AC), 50 Hz	Art-No. (AC), 60 Hz	Art-No. (V DC)
10 ... 30			3.550.401.351
20 ... 30	3.550.401.071	3.550.401.081	
36 ... 80			3.550.401.353
42 ... 48	3.550.401.072	3.550.401.082	
100 ... 130	3.550.401.074	3.550.401.084	3.550.401.381
187 ... 264	3.550.401.075	3.550.401.085	

Colour of housing grey: Art.-No.3.550.400.XXX

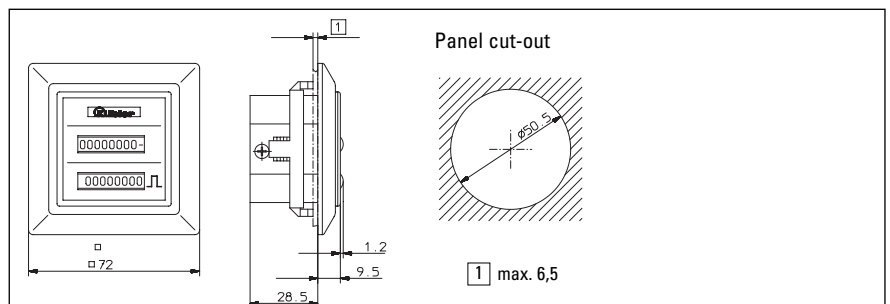
HC 77.55



Voltage	Art-No. (AC), 50 Hz	Art-No. (AC), 60 Hz	Art-No. (V DC)
10 ... 30			3.551.401.351
20 ... 30	3.551.401.071	3.551.401.081	
36 ... 80			3.551.401.353
42 ... 48	3.551.401.072	3.551.401.082	
100 ... 130	3.551.401.074	3.551.401.084	3.551.401.381
187 ... 264	3.551.401.075	3.551.401.085	

Colour of housing grey: Art.-No. 3.551.400.XXX

HC 77.72



Voltage	Art-No. (AC), 50 Hz	Art-No. (AC), 60 Hz	Art-No. (V DC)
10 ... 30			3.552.201.351
20 ... 30	3.552.401.071	3.552.401.081	
36 ... 80			3.552.201.353
42 ... 48	3.552.401.072	3.552.401.082	
100 ... 130	3.552.401.074	3.552.401.084	3.552.201.381
187 ... 264	3.552.401.075	3.552.401.085	

For panel cut-outs 66 x 66 mm and 68 x 68 mm adaptors are available as accessories.

Adaptor 66 x 66 mm: Art.-No. T.009.423

Adaptor 68 x 68 mm: Art.-No. T.009.420

Colour of housing grey: 3.552.400.XXX