

Draw-wire accessories



- Guide pulley for draw-wire encoder

Order code 8.0000.7000.0031

Stock types
Draw wire accessories



Extension cable, steel wire 2 m: Order code 8.0000.7000.0033

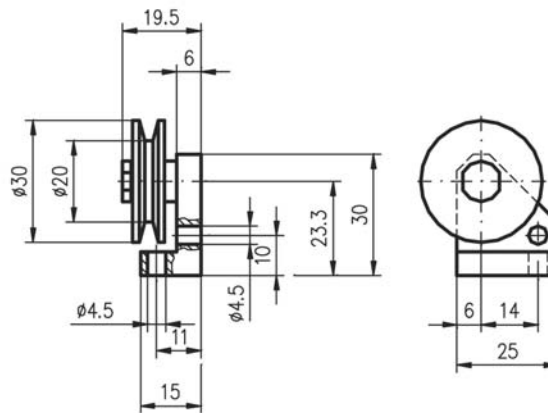
Extension cable, steel wire 5 m: Order code 8.0000.7000.0034

Extension cable, steel wire 10 m: Order code 8.0000.7000.0035

Extension cable, para wire 2 m: Order code 8.0000.7000.0032

Dimensions:

Guide pulley



Extension cable

