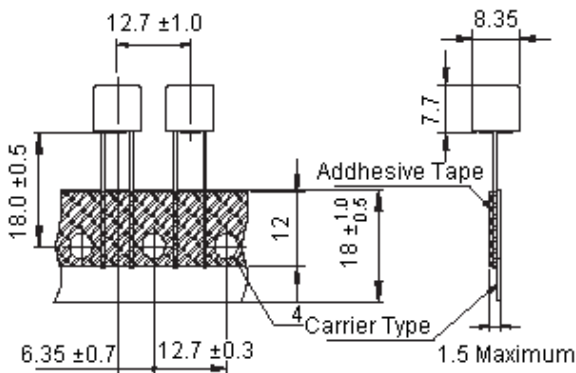
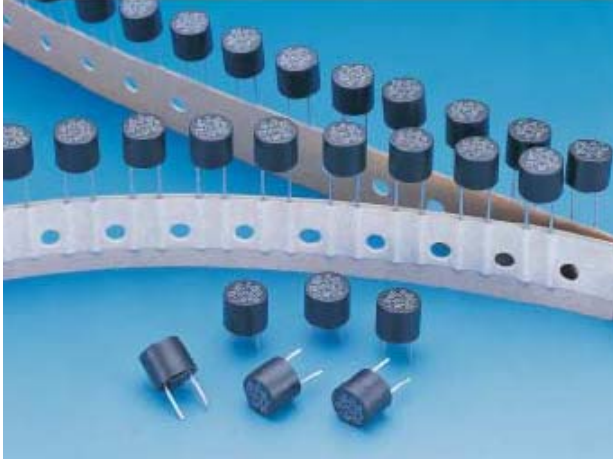


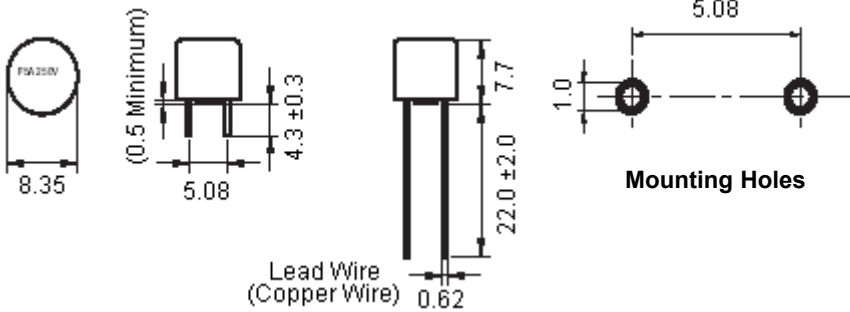
Radial Lead Fuses

Round - Fast Acting



Short Leads

Long Leads



Dimensions : Millimetres

Electrical Characteristics

Rated Current	1.5In	2.1In	2.75In		4In		10In
	Minimum	Maximum	Minimum	Maximum	Minimum	Maximum	Maximum
50mA to 5A	60 Minutes	30 Minutes	10ms	3 Seconds	3ms	300ms	20ms
6.3A				5 Seconds			

Interrupting Ratings

35 amperes or 10 x rated current; whichever is greater at 250V ac.



Radial Lead Fuses

Round - Fast Acting



Environmental Specifications:

Operating Temperature	: -55°C to +125°C.
Shock	: MIL-STD-202, Method 213, Condition 1 (Saw Tooth).
Vibration	: MIL-STD-202, Method 201 (10-55Hz x 3 axis/No Load).
Salt Spray	: MIL-STD-202, Method 101, Test Condition B (48 Hours).
Insulation Resistance	: MIL-STD-202, Method 302, Test Condition A (After Opening) 10,000 ohms minimum.
Resistance to Solder Heat	: MIL-STD-202, Method 210, Test Condition F (10 seconds at 260°C).
Thermal Shock	: MIL-STD-202, Method 107, Test Condition B (-65°C to +125°C).

Physical Specifications:

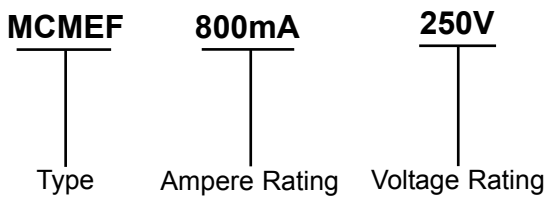
Materials:

Base and Cap	: Black Thermoplastic.
Pin	: Tin-lead Plated Alloy.

Specification Table

Ampere Rating (In)	Voltage Rating (V)	Nominal Resistance Cold Ohms	Maximum Voltage Drop (mV)	Nominal Melting I ² t A ² Sec	Part Number
800mA	250	0.0720	130	0.192000	MCMEF 800mA 250V
1A		0.0520	120	0.300000	MCMEF 1A 250V
1.25A		0.0430		0.468700	MCMEF 1.25A 250V
1.6A		0.0310	110	0.896000	MCMEF 1.6A 250V
2A		0.0260		1.200000	MCMEF 2A 250V
2.5A		0.0190	100	2.500000	MCMEF 2.5A 250V
3.15 A		0.0140		3.969000	MCMEF 3.15A 250V
4 A		0.0110		7.200000	MCMEF 4A 250V
5 A		0.0083	90	15.000000	MCMEF 5A 250V
6.3 A		0.0061	80	47.628000	MCMEF 6.3A 250V

Part Number Explanation:



Ampere Rating : 800mA, 1A, 1.25A, 1.6A, 2A, 2.5A, 3.15A, 4A, 5A and 6.3A.



Radial Lead Fuses

Round - Fast Acting



Notes:

International Sales Offices:

	AUSTRALIA - Farnell Tel No: ++61 1300 361 005 Fax No: ++61 1300 361 225		FINLAND - Farnell Tel No: ++ 358 9 560 7780 Fax No: ++ 358 9 345 5411		ITALY - Farnell Tel No: ++ 39 02 93 995 200 Fax No: ++ 39 02 93 995 300		SPAIN - Farnell Tel No: 901 20 20 80 Fax No: 901 20 20 90
	AUSTRIA - Farnell Tel No: ++ 43 662 2180 680 Fax No: ++ 43 662 2180 670		FRANCE - Farnell Tel No: ++ 33 474 68 99 99 Fax No: ++ 33 474 68 99 90		MALAYSIA - Farnell-Newark Tel No: ++ 60 3 7873 8000 Fax No: ++ 60 3 7873 7000		SWEDEN - Farnell Tel No: ++ 46 8 730 50 00 Fax No: ++ 46 8 83 52 62
	BELGIUM - Farnell Tel No: ++ 32 3 475 2810 Fax No: ++ 32 3 227 3648		GERMANY - Farnell Tel No: ++ 49 89 61 39 39 39 Fax No: ++ 49 89 613 59 01		NETHERLANDS - Farnell Tel No: ++ 31 30 241 7373 Fax No: ++ 31 30 241 7333		SWITZERLAND - Farnell Tel No: ++ 44 204 64 64 Fax No: ++ 44 204 64 54
	BRAZIL - Farnell-Newark Tel No: ++ 55 11 4066 9400 Fax No: ++ 55 11 4066 9410		HONG KONG - Farnell-Newark Tel No: ++ 852 2268 9888 Fax No: ++ 852 2268 9899		NEW ZEALAND - Farnell Tel No: 0800 90 80 80 Fax No: 0800 90 80 81		UK - Farnell Tel No: ++ 44 8701 200 200 Fax No: ++ 44 8701 200 201
	CHINA - Farnell-Newark Tel No: ++86 10 6238 5152 Fax No: ++86 10 6238 5022		HUNGARY - Farnell Tel No: ++ 44 870 1200 208 Fax No: ++ 44 870 1200 209		NORWAY - Farnell Tel No: 800 146 70 Fax No: 800 146 76		UK - CPC ++ 44 8701 202 530 ++ 44 8701 202 531
	CZECH REPUBLIC - Farnell Tel No: ++ 44 870 1200 208 Fax No: ++ 44 870 1200 209		INDIA - Farnell Tel No: ++ 44 870 1200 208 Fax No: ++ 44 870 1200 209		PORTUGAL - Farnell Tel No: ++ 34 93 475 8804 Fax No: ++ 34 93 474 5288		USA - Newark Tel No: 800 463 9275
	DENMARK - Farnell Tel No: ++ 45 44 53 66 44 Fax No: ++ 45 44 53 66 06		IRELAND - Farnell Tel No: ++ 353 1 830 9277 Fax No: ++ 353 1 830 9016		RUSSIA - Farnell Tel No: ++ 44 870 1200 208 Fax No: ++ 44 870 1200 209	 EXPORT - Farnell Tel No: ++ 44 8701 200 208 Fax No: ++ 44 8701 200 209 For enquiries from all other markets	
	ESTONIA - Farnell Tel No: ++ 358 9 560 7780 Fax No: ++ 358 9 345 5411		ISRAEL - Farnell Tel No: ++ 180 937 0015 Fax No: ++ 180 937 0014		SINGAPORE - Farnell-Newark Tel No: ++ 65 6788 0200 Fax No: ++ 65 6788 0300		

<http://www.farnell.com>
<http://www.newark.com>
<http://www.cpc.co.uk>

Disclaimer This data sheet and its contents (the "Information") belong to the Premier Farnell Group (the "Group") or are licensed to it. No licence is granted for the use of it other than for information purposes in connection with the products to which it relates. No licence of any intellectual property rights is granted. The Information is subject to change without notice and replaces all data sheets previously supplied. The Information supplied is believed to be accurate but the Group assumes no responsibility for its accuracy or completeness, any error in or omission from it or for any use made of it. Users of this data sheet should check for themselves the Information and the suitability of the products for their purpose and not make any assumptions based on information included or omitted. Liability for loss or damage resulting from any reliance on the Information or use of it (including liability resulting from negligence or where the Group was aware of the possibility of such loss or damage arising) is excluded. This will not operate to limit or restrict the Group's liability for death or personal injury resulting from its negligence. SPC Multicomp is the registered trademark of the Group. © Premier Farnell plc 2008.

