

## Production Soldering Hand Piece



### MFR-HPS

Production Soldering iron hand Piece and Coil assembly \*

\* Compatible with MFR-PTZ , MFR-SRC & MFR-DSI Soldering and Rework Systems

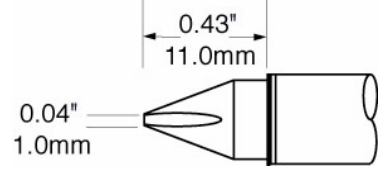
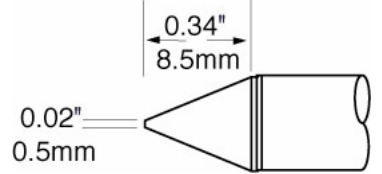
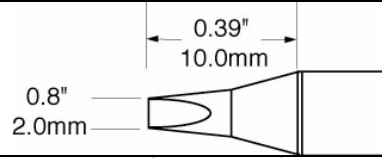
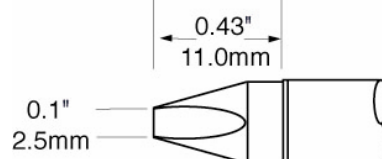


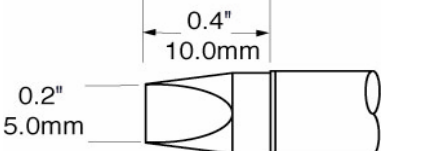
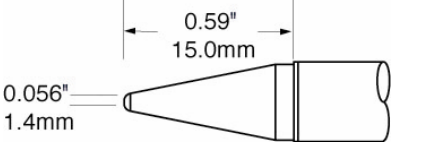
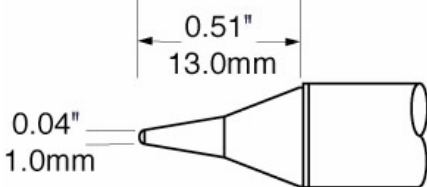
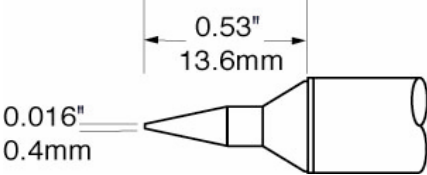
### MFR-CA1

Coil Assembly for MFR-HPS hand-piece

## Standard Soldering Tip Cartridges

- Used with the MFR-HPS Soldering Hand-piece & PS-800 CA2
- Designed to deliver outstanding performance for point-to-point production soldering applications.
- The two part hand piece - heater coil and tip design provides a low cost solution to demanding production soldering applications

SFV-CH10	Chisel Solder Tip, 30° 1.0mm (.04")	
SFV-CN05	Conical Solder Tip, 0.5mm (.02")	
SFV-CH20	Chisel Solder Tip, 30° 2.0mm (.08")	
SFV-CH25	Chisel Solder Tip, 30° 2.5mm (.10")	

SFV-CH50	Chisel Solder Tip, 30° 5.0mm (.20")	
SFV-CHL14	Conical Solder Tip, 60° Long Reach 1.4mm (0.56")	
SFV-CNL10	Conical Solder Tip Long Reach , 1.0mm (.04")	
SFV-CNL04	Conical solder Tip Long Reach, 0.4mm (.016")	

Soldering Tip Cartridges "F" series are designed for lead free solder , the system delivers power according to demand , light load or heavy thermal load with "Metcal Smart heat Technology" . Whilst keeping the temperature constant at nominally 380 C

### Metcal PS-800 Power Coil