

#### Key Features

- SMPTE 292M and SMPTE 259M-C compliant scrambling and NRZ → NRZI encoding (with bypass)
- DVB-ASI sync word insertion and 8b/10b encoding
- Rejection of more than 300ps jitter on the input PCLK
- User selectable additional processing features including:
  - CRC, ANC data checksum, and line number calculation and insertion
  - TRS and EDH packet generation and insertion
  - illegal code remapping
- Internal flywheel for noise immune TRS generation
- 20-bit / 10-bit CMOS parallel input data bus
- 148.5MHz / 74.25MHz / 27MHz / 13.5MHz parallel digital input
- Automatic standards detection and indication
- 1.8V core power supply and 3.3V charge pump power supply
- 3.3V digital I/O supply
- JTAG test interface
- Available in a Pb-free package
- small footprint (11mm x 11mm)

#### Applications

- SMPTE 292M Serial Digital Interfaces
- SMPTE 259M-C Serial Digital Interfaces
- DVB-ASI Serial Digital Interfaces

#### Description

The GS1531 is a multi-standard serializer with an integrated cable driver. When used in conjunction with the GO1555/GO1525\* Voltage Controlled Oscillator, a transmit solution can be realized for HD-SDI, SD-SDI and DVB-ASI applications.

The device features an internal PLL, which can be configured for loop bandwidth as narrow as 100kHz. Thus the GS1531 can tolerate in excess of 300ps jitter on the input PCLK and still provide output jitter well within SMPTE specification. Connect the output clocks from Gennum's GS4911 clock generator directly to the GS1531's PCLK input and configure the GS1531's loop bandwidth accordingly.

In addition to serializing the input, the GS1531 performs NRZ-to-NRZI encoding and scrambling as per SMPTE 292M/259M-C when operating in SMPTE mode. When operating in DVB-ASI mode, the device will insert K28.5 sync characters and 8b/10b encode the data prior to serialization.

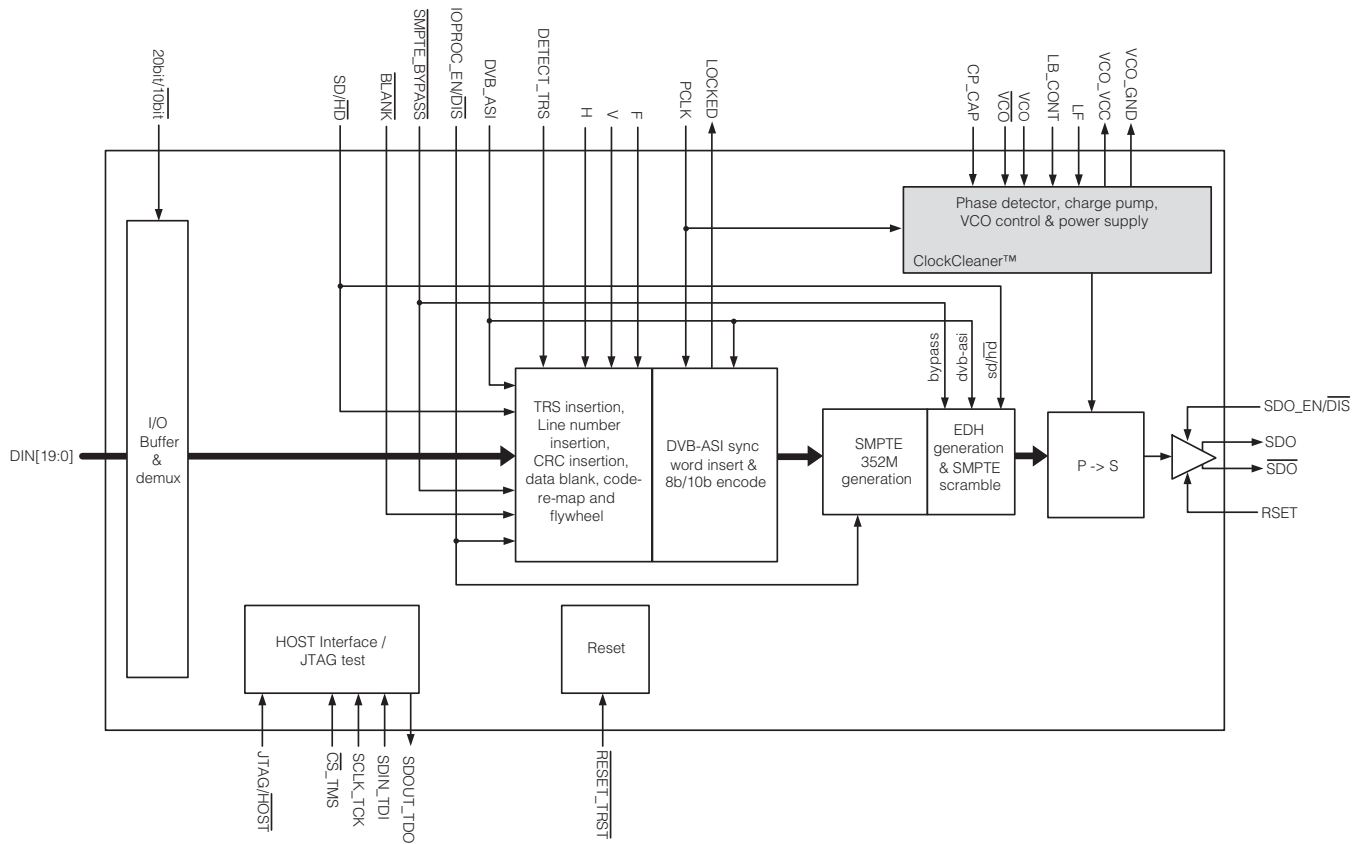
Parallel data inputs are provided for 10-bit multiplexed or 20-bit demultiplexed formats at both HD and SD signal rates. An appropriate parallel clock input signal is also required.

The integrated cable driver features an output mute on loss of parallel clock, high impedance mode, adjustable signal swing, and automatic dual slew rate selection depending on HD/SD operational requirements.

The GS1531 also includes a range of data processing functions including automatic standards detection and EDH support. The device can also insert TRS signals, calculate and insert line numbers and CRC's, re-map illegal code words and insert SMPTE 352M payload identifier packets. All processing features are optional and may be enabled/disabled via external control pin(s) and/or host interface programming.

\*For new designs use GO1555

Functional Block Diagram



GS1531 Functional Block Diagram

# Contents

Key Features .....	1
Applications .....	1
Description .....	1
Functional Block Diagram .....	2
1. Pin Out .....	5
1.1 Pin Assignment .....	5
1.2 Pin Descriptions .....	6
2. Electrical Characteristics .....	13
2.1 Absolute Maximum Ratings .....	13
2.2 DC Electrical Characteristics .....	13
2.3 AC Electrical Characteristics .....	14
2.4 Solder Reflow Profiles .....	16
3. Input/Output Circuits .....	17
3.1 Host Interface Maps .....	19
3.1.1 Host Interface Map (Read Only Registers) .....	20
3.1.2 Host Interface Map (R/W Configurable Registers) .....	21
4. Detailed Description .....	22
4.1 Functional Overview .....	22
4.2 Parallel Data Inputs .....	22
4.2.1 Parallel Input in SMPTE Mode .....	23
4.2.2 Parallel Input in DVB-ASI Mode .....	23
4.2.3 Parallel Input in Data-Through Mode .....	23
4.2.4 Parallel Input Clock (PCLK) .....	24
4.3 SMPTE Mode .....	25
4.3.1 Internal Flywheel .....	25
4.3.2 HVF Timing Signal Extraction .....	25
4.4 DVB-ASI mode .....	26
4.4.1 Control Signal Inputs .....	27
4.5 Data-Through Mode .....	28
4.6 Additional Processing Functions .....	28
4.6.1 Input Data Blank .....	28
4.6.2 Automatic Video Standard Detection .....	28
4.6.3 Packet Generation and Insertion .....	30
4.7 Parallel-To-Serial Conversion .....	37
4.8 Serial Digital Data PLL .....	38
4.8.1 External VCO .....	38
4.8.2 Lock Detect Output .....	38
4.8.3 Loop Bandwidth Adjustment .....	39
4.9 Serial Digital Output .....	39
4.9.1 Output Swing .....	39

4.9.2 Serial Digital Output Mute .....	40
4.10 GSPI Host Interface .....	40
4.10.1 Command Word Description .....	41
4.10.2 Data Read and Write Timing .....	42
4.10.3 Configuration and Status Registers .....	43
4.11 JTAG .....	43
4.12 Device Power Up .....	45
4.13 Device Reset .....	45
5. Application Reference Design .....	46
5.1 Typical Application Circuit .....	46
6. References & Relevant Standards .....	47
7. Package & Ordering Information .....	48
7.1 Package Dimensions .....	48
7.2 Packaging Data .....	49
7.3 Ordering Information .....	49
8. Revision History .....	50

# 1. Pin Out

## 1.1 Pin Assignment

	1	2	3	4	5	6	7	8	9	10
A	LF	VCO_VCC	VCO_GND	$\overline{\text{VCO}}$	VCO	NC	PCLK	IO_VDD	DIN18	DIN19
B	CP_CAP	CP_VDD	CP_GND	LB_CONT	NC	NC	DETECT_TRS	IO_GND	DIN16	DIN17
C	NC	PD_VDD	PD_GND	NC	NC	NC	NC	NC	DIN14	DIN15
D	NC	NC	NC	NC	DVB_ASI	LOCKED	NC	NC	DIN12	DIN13
E	NC	NC	NC	SD/HD	CORE_GND	CORE_VDD	NC	IO_VDD	DIN10	DIN11
F	RSV	NC	NC	20bit/ 10bit	CORE_GND	CORE_VDD	NC	IO_GND	DIN8	DIN9
G	NC	NC	NC	IOPROC_EN/DIS	$\overline{\text{SMPTE\_BYPASS}}$	$\overline{\text{RESET\_TRST}}$	NC	$\overline{\text{BLANK}}$	DIN6	DIN7
H	NC	NC	NC	$\overline{\text{CS\_TMS}}$	SCLK_TCK	SDOUT_TDO	NC	H	DIN4	DIN5
J	NC	NC	NC	NC	SDO_EN/DIS	SDIN_TDI	V	IO_GND	DIN2	DIN3
K	RSET	CD_VDD	SDO	$\overline{\text{SDO}}$	CD_GND	JTAG/HOST	F	IO_VDD	DIN0	DIN1

## 1.2 Pin Descriptions

**Table 1-1: Pin Descriptions**

Pin Number	Name	Timing	Type	Description								
A1	LF	Analog	Output	Control voltage to external voltage controlled oscillator. Nominally +1.25V DC.								
A2	VCO_VCC	–	Output Power	Power supply for the external voltage controlled oscillator. Connect to pin 7 of the GO1555/GO1525*. This pin is an output. Should be isolated from all other power supplies. *For new designs use GO1555								
A3	VCO_GND	–	Output Power	Ground reference for the external voltage controlled oscillator. Connect to pins 2, 4, 6, and 8 of the GO1555/GO1525*. This pin is an output. Should be isolated from all other grounds. *For new designs use GO1555								
A4, A5	$\overline{\text{VCO}}$ , VCO	Analog	Input	Differential inputs for the external VCO reference signal. For single ended devices such as the GO1555/GO1525*, $\overline{\text{VCO}}$ should be AC coupled to VCO_GND. VCO is nominally 1.485GHz. *For new designs use GO1555								
A6, B5, B6, C1, C4, C5, C6, C7, C8, D1, D2, D3, D4, D7, D8, E1, E2, E3, E7, F2, F3, F7, G1, G2, G3, G7, H1, H2, H3, H7, J1, J2, J3, J4	NC	–	–	No connect.								
A7	PCLK	–	Input	PARALLEL DATA BUS CLOCK Signal levels are LVCMOS/LVTTL compatible. <table border="1" style="width: 100%; border-collapse: collapse;"> <tr> <td style="width: 50%;">HD 20-bit mode</td> <td>PCLK = 74.25MHz or 74.25/1.001MHz</td> </tr> <tr> <td>HD 10-bit mode</td> <td>PCLK = 148.5MHz or 148.5/1.001MHz</td> </tr> <tr> <td>SD 20-bit mode</td> <td>PCLK = 13.5MHz</td> </tr> <tr> <td>SD 10-bit mode</td> <td>PCLK = 27MHz</td> </tr> </table>	HD 20-bit mode	PCLK = 74.25MHz or 74.25/1.001MHz	HD 10-bit mode	PCLK = 148.5MHz or 148.5/1.001MHz	SD 20-bit mode	PCLK = 13.5MHz	SD 10-bit mode	PCLK = 27MHz
HD 20-bit mode	PCLK = 74.25MHz or 74.25/1.001MHz											
HD 10-bit mode	PCLK = 148.5MHz or 148.5/1.001MHz											
SD 20-bit mode	PCLK = 13.5MHz											
SD 10-bit mode	PCLK = 27MHz											
A8, E8, K8	IO_VDD	–	Power	Power supply connection for digital I/O buffers. Connect to +3.3V DC digital.								

**Table 1-1: Pin Descriptions (Continued)**

Pin Number	Name	Timing	Type	Description
A10, A9, B10, B9, C10, C9, D10, D9, E10, E9	DIN[19:10]	Synchronous with PCLK	Input	<p>PARALLEL DATA BUS Signal levels are LVCMOS/LVTTL compatible. DIN19 is the MSB and DIN10 is the LSB.</p> <hr/> <p>HD 20-bit mode SD/HD = LOW 20bit/10bit = HIGH</p> <p>Luma data input in SMPTE mode SMPTE_BYPASS = HIGH DVB_ASI = LOW</p> <p>Data input in Data-Through mode SMPTE_BYPASS = LOW DVB_ASI = LOW</p> <hr/> <p>HD 10-bit mode SD/HD = LOW 20bit/10bit = LOW</p> <p>Multiplexed Luma and Chroma data input in SMPTE mode SMPTE_BYPASS = HIGH DVB_ASI = LOW</p> <p>Data input in Data-Through mode SMPTE_BYPASS = LOW DVB_ASI = LOW</p> <hr/> <p>SD 20-bit mode SD/HD = HIGH 20bit/10bit = HIGH</p> <p>Luma data input in SMPTE mode SMPTE_BYPASS = HIGH DVB_ASI = LOW</p> <p>Data input in Data-Through mode SMPTE_BYPASS = LOW DVB_ASI = LOW</p> <p>DVB-ASI data input in DVB-ASI mode SMPTE_BYPASS = LOW DVB_ASI = HIGH</p> <hr/> <p>SD 10-bit mode SD/HD = HIGH 20bit/10bit = LOW</p> <p>Multiplexed Luma and Chroma data input in SMPTE mode SMPTE_BYPASS = HIGH DVB_ASI = LOW</p> <p>Data input in data through mode SMPTE_BYPASS = LOW DVB_ASI = LOW</p> <p>DVB-ASI data input in DVB-ASI mode SMPTE_BYPASS = LOW DVB_ASI = HIGH</p>
B1	CP_CAP	Analog	Input	PLL lock time constant capacitor connection.
B2	CP_VDD	–	Power	Power supply connection for the charge pump. Connect to +3.3V DC analog.
B3	CP_GND	–	Power	Ground connection for the charge pump. Connect to analog GND.
B4	LB_CONT	Analog	Input	Control voltage to set the loop bandwidth of the integrated reclocker.
B7	DETECT_TRS	Non Synchronous	Input	<p>CONTROL SIGNAL INPUT Signal levels are LVCMOS/LVTTL compatible. Used to select the timing mode of the device.</p> <p>When set HIGH, the device will lock the internal flywheel to the embedded TRS timing signals in the parallel input data.</p> <p>When set LOW, the device will lock the internal flywheel to the externally supplied H, V, and F input signals.</p>

**Table 1-1: Pin Descriptions (Continued)**

Pin Number	Name	Timing	Type	Description
B8, F8, J8	IO_GND	–	Power	Ground connection for digital I/O buffers. Connect to digital GND.
C2	PD_VDD	–	Power	Power supply connection for the phase detector. Connect to +1.8V DC analog.
C3	PD_GND	–	Power	Ground connection for the phase detector. Connect to analog GND.
D5	DVB_ASI	Non Synchronous	Input	CONTROL SIGNAL INPUT Signal levels are LVCMOS/LVTTL compatible. When set HIGH in conjunction with $\overline{\text{SD/HD}} = \text{HIGH}$ and $\overline{\text{SMPTE\_BYPASS}} = \text{LOW}$ , the device will be configured to operate in DVB-ASI mode. When set LOW, the device will not support the encoding of received DVB-ASI data.
D6	LOCKED	Synchronous with PCLK	Output	STATUS SIGNAL OUTPUT Signal levels are LVCMOS / LVTTTL compatible. The LOCKED signal will be HIGH whenever the device has correctly received and locked to SMPTE compliant data in SMPTE mode or DVB-ASI compliant data in DVB-ASI mode, or when the device has achieved lock in Data-Through mode. It will be LOW otherwise.
E4	$\overline{\text{SD/HD}}$	Non Synchronous	Input	CONTROL SIGNAL INPUT Signal levels are LVCMOS/LVTTL compatible. When set LOW, the device will be configured to transmit signal rates of 1.485Gb/s or 1.485/1.001Gb/s only. When set HIGH, the device will be configured to transmit signal rates of 270Mb/s only.
E5, F5	CORE_GND	–	Power	Ground connection for the digital core logic. Connect to digital GND.
E6, F6	CORE_VDD	–	Power	Power supply connection for the digital core logic. Connect to +1.8V DC digital.
F1	RSV	–	–	Connect to Analog GND.
F4	$\overline{20\text{bit}/10\text{bit}}$	Non Synchronous	Input	CONTROL SIGNAL INPUT Signal levels are LVCMOS/LVTTL compatible. Used to select the input data bus width in SMPTE or Data-Through modes. When set HIGH, the parallel input will be 20-bit demultiplexed data. When set LOW, the parallel input will be 10-bit multiplexed data.



**Table 1-1: Pin Descriptions (Continued)**

Pin Number	Name	Timing	Type	Description		
F10, F9, G10, G9, H10, H9, J10, J9, K10, K9	DIN[9:0]	Synchronous with PCLK	Input	PARALLEL DATA BUS Signal levels are LVCMOS/LVTTL compatible. DIN9 is the MSB and DIN0 is the LSB.		
				<table border="0"> <tr> <td>HD 20-bit mode SD/HD = LOW 20bit/10bit = HIGH</td> <td>                     Chroma data input in SMPTE mode                      SMPTE_BYPASS = HIGH                      DVB_ASI = LOW                      Data input in Data-Through mode                      SMPTE_BYPASS = LOW                      DVB_ASI = LOW                 </td> </tr> </table>	HD 20-bit mode SD/HD = LOW 20bit/10bit = HIGH	Chroma data input in SMPTE mode SMPTE_BYPASS = HIGH DVB_ASI = LOW Data input in Data-Through mode SMPTE_BYPASS = LOW DVB_ASI = LOW
				HD 20-bit mode SD/HD = LOW 20bit/10bit = HIGH	Chroma data input in SMPTE mode SMPTE_BYPASS = HIGH DVB_ASI = LOW Data input in Data-Through mode SMPTE_BYPASS = LOW DVB_ASI = LOW	
				<table border="0"> <tr> <td>HD 10-bit mode SD/HD = LOW 20bit/10bit = LOW</td> <td>High impedance in all modes.</td> </tr> </table>	HD 10-bit mode SD/HD = LOW 20bit/10bit = LOW	High impedance in all modes.
				HD 10-bit mode SD/HD = LOW 20bit/10bit = LOW	High impedance in all modes.	
<table border="0"> <tr> <td>SD 20-bit mode SD/HD = HIGH 20bit/10bit = HIGH</td> <td>                     Chroma data input in SMPTE mode                      SMPTE_BYPASS = HIGH                      DVB_ASI = LOW                      Data input in Data-Through mode                      SMPTE_BYPASS = LOW                      DVB_ASI = LOW                      High impedance in DVB-ASI mode                      SMPTE_BYPASS = LOW                      DVB_ASI = HIGH                 </td> </tr> </table>	SD 20-bit mode SD/HD = HIGH 20bit/10bit = HIGH	Chroma data input in SMPTE mode SMPTE_BYPASS = HIGH DVB_ASI = LOW Data input in Data-Through mode SMPTE_BYPASS = LOW DVB_ASI = LOW High impedance in DVB-ASI mode SMPTE_BYPASS = LOW DVB_ASI = HIGH				
SD 20-bit mode SD/HD = HIGH 20bit/10bit = HIGH	Chroma data input in SMPTE mode SMPTE_BYPASS = HIGH DVB_ASI = LOW Data input in Data-Through mode SMPTE_BYPASS = LOW DVB_ASI = LOW High impedance in DVB-ASI mode SMPTE_BYPASS = LOW DVB_ASI = HIGH					
<table border="0"> <tr> <td>SD 10-bit mode SD/HD = HIGH 20bit/10bit = LOW</td> <td>High impedance in all modes.</td> </tr> </table>	SD 10-bit mode SD/HD = HIGH 20bit/10bit = LOW	High impedance in all modes.				
SD 10-bit mode SD/HD = HIGH 20bit/10bit = LOW	High impedance in all modes.					
G4	IOPROC_EN/DIS	Non Synchronous	Input	<p>CONTROL SIGNAL INPUT Signal levels are LVCMOS/LVTTL compatible. Used to enable or disable I/O processing features. When set HIGH, the following I/O processing features of the device are enabled:</p> <ul style="list-style-type: none"> <li>• EDH Packet Generation and Insertion (SD-only)</li> <li>• SMPTE 352M Packet Generation and Insertion</li> <li>• ANC Data Checksum Calculation and Insertion</li> <li>• Line-based CRC Generation and Insertion (HD-only)</li> <li>• Line Number Generation and Insertion (HD-only)</li> <li>• TRS Generation and Insertion</li> <li>• Illegal Code Remapping</li> </ul> <p>To enable a subset of these features, keep IOPROC_EN/DIS HIGH and disable the individual feature(s) in the IOPROC_DISABLE register accessible via the host interface. When set LOW, the I/O processing features of the device are disabled, regardless of whether the features are enabled in the IOPROC_DISABLE register.</p>		

Table 1-1: Pin Descriptions (Continued)

Pin Number	Name	Timing	Type	Description
G5	$\overline{\text{SMPTE\_BYPASS}}$	Non Synchronous	Input	<p>CONTROL SIGNAL INPUT Signal levels are LVCMOS/LVTTL compatible.</p> <p>When set HIGH in conjunction with DVB_ASI = LOW, the device will be configured to operate in SMPTE mode. All I/O processing features may be enabled in this mode.</p> <p>When set LOW, the device will not support the scrambling or encoding of received SMPTE data. No I/O processing features will be available.</p>
G6	$\overline{\text{RESET\_TRST}}$	Non Synchronous	Input	<p>CONTROL SIGNAL INPUT Signal levels are LVCMOS/LVTTL compatible.</p> <p>Used to reset the internal operating conditions to default settings and to reset the JTAG test sequence.</p> <p>Host Mode (JTAG/<math>\overline{\text{HOST}}</math> = LOW) When asserted LOW, all functional blocks will be set to default conditions and all input and output signals become high impedance, including the serial digital outputs SDO and SDO.</p> <p>Must be set HIGH for normal device operation.</p> <p>JTAG Test Mode (JTAG/<math>\overline{\text{HOST}}</math> = HIGH) When asserted LOW, all functional blocks will be set to default and the JTAG test sequence will be held in reset.</p> <p>When set HIGH, normal operation of the JTAG test sequence resumes.</p>
G8	$\overline{\text{BLANK}}$	Synchronous with PCLK	Input	<p>CONTROL SIGNAL INPUT Signal levels are LVCMOS/LVTTL compatible.</p> <p>Used to enable or disable input data blanking.</p> <p>When set LOW, the luma and chroma input data is set to the appropriate blanking levels. Horizontal and vertical ancillary spaces will also be set to blanking levels.</p> <p>When set HIGH, the luma and chroma input data pass through the device unaltered.</p>
H4	$\overline{\text{CS\_TMS}}$	Synchronous with SCLK_TCK	Input	<p>CONTROL SIGNAL INPUT Signal levels are LVCMOS/LVTTL compatible.</p> <p>Chip Select / Test Mode Select</p> <p>Host Mode (JTAG/<math>\overline{\text{HOST}}</math> = LOW) <math>\overline{\text{CS\_TMS}}</math> operates as the host interface chip select, <math>\overline{\text{CS}}</math>, and is active LOW.</p> <p>JTAG Test Mode (JTAG/<math>\overline{\text{HOST}}</math> = HIGH) <math>\overline{\text{CS\_TMS}}</math> operates as the JTAG test mode select, TMS, and is active HIGH.</p> <p>NOTE: If the host interface is not being used, tie this pin HIGH.</p>
H5	SCLK_TCK	Non Synchronous	Input	<p>CONTROL SIGNAL INPUT Signal levels are LVCMOS/LVTTL compatible.</p> <p>Serial Data Clock / Test Clock.</p> <p>Host Mode (JTAG/<math>\overline{\text{HOST}}</math> = LOW) SCLK_TCK operates as the host interface burst clock, SCLK. Command and data read/write words are clocked into the device synchronously with this clock.</p> <p>JTAG Test Mode (JTAG/<math>\overline{\text{HOST}}</math> = HIGH) SCLK_TCK operates as the JTAG test clock, TCK.</p> <p>NOTE: If the host interface is not being used, tie this pin HIGH.</p>

Table 1-1: Pin Descriptions (Continued)

Pin Number	Name	Timing	Type	Description
H6	SDOUT_TDO	Synchronous with SCLK_TCK	Output	<p>CONTROL SIGNAL OUTPUT Signal levels are LVCMOS/LVTTL compatible. Serial Data Output / Test Data Output Host Mode (JTAG/<math>\overline{\text{HOST}}</math> = LOW) SDOUT_TDO operates as the host interface serial output, SDOUT, used to read status and configuration information from the internal registers of the device. JTAG Test Mode (JTAG/<math>\overline{\text{HOST}}</math> = HIGH) SDOUT_TDO operates as the JTAG test data output, TDO.</p>
H8	H	Synchronous with PCLK	Input	<p>CONTROL SIGNAL INPUT Signal levels are LVCMOS/LVTTL compatible. Used to indicate the portion of the video line containing active video data when DETECT_TRS is set LOW. The device will set the H bit in all outgoing TRS signals for the entire period that the H input signal is HIGH (IOPROC_EN/DIS must also be HIGH). H signal timing is configurable via the H_CONFIG bit of the IOPROC_DISABLE register, accessible via the host interface. Active Line Blanking (H_CONFIG = 0<sub>h</sub>) The H signal should be set HIGH for the entire horizontal blanking period, including the EAV and SAV TRS words, and LOW otherwise. This is the default setting. TRS Based Blanking (H_CONFIG = 1<sub>h</sub>) The H signal should be set HIGH for the entire horizontal blanking period as indicated by the H bit in the received TRS ID words, and LOW otherwise.</p>
J5	SDO_EN/ $\overline{\text{DIS}}$	Non Synchronous	Input	<p>CONTROL SIGNAL INPUT Signal levels are LVCMOS/LVTTL compatible. Used to enable or disable the serial digital output stage. When set LOW, the serial digital output signals SDO and <math>\overline{\text{SDO}}</math> are disabled and become high impedance. When set HIGH, the serial digital output signals SDO and <math>\overline{\text{SDO}}</math> are enabled.</p>
J6	SDIN_TDI	Synchronous with SCLK_TCK	Input	<p>CONTROL SIGNAL INPUT Signal levels are LVCMOS/LVTTL compatible. Serial Data In / Test Data Input Host Mode (JTAG/<math>\overline{\text{HOST}}</math> = LOW) SDIN_TDI operates as the host interface serial input, SDIN, used to write address and configuration information to the internal registers of the device. JTAG Test Mode (JTAG/<math>\overline{\text{HOST}}</math> = HIGH) SDIN_TDI operates as the JTAG test data input, TDI. NOTE: If the host interface is not being used, tie this pin HIGH.</p>

Table 1-1: Pin Descriptions (Continued)

Pin Number	Name	Timing	Type	Description
J7	V	Synchronous with PCLK	Input	<p>CONTROL SIGNAL INPUT Signal levels are LVCMOS/LVTTL compatible.</p> <p>Used to indicate the portion of the video field / frame that is used for vertical blanking when DETECT_TRS is set LOW. The device will set the V bit in all outgoing TRS signals for the entire period that the V input signal is HIGH (IOPROC_EN/DIS must also be HIGH).</p> <p>The V signal should be set HIGH for the entire vertical blanking period and should be set LOW for all lines outside of the vertical blanking interval.</p> <p>The V signal is ignored when DETECT_TRS = HIGH.</p>
K1	RSET	Analog	Input	Used to set the serial digital output signal amplitude. Connect to CD_VDD through $281\Omega \pm 1\%$ for $800mV_{p-p}$ single-ended output swing.
K2	CD_VDD	–	Power	Power supply connection for the serial digital cable driver. Connect to +1.8V DC analog.
K3, K4	SDO, $\overline{\text{SDO}}$	Analog	Output	<p>Serial digital output signal operating at 1.485Gb/s, 1.485/1.001Gb/s, or 270Mb/s.</p> <p>The slew rate of these outputs is automatically controlled to meet SMPTE 292M and 259M requirements according to the setting of the SD/HD pin.</p>
K5	CD_GND	–	Power	Ground connection for the serial digital cable driver. Connect to analog GND.
K6	JTAG/ $\overline{\text{HOST}}$	Non Synchronous	Input	<p>CONTROL SIGNAL INPUT Signal levels are LVCMOS/LVTTL compatible.</p> <p>Used to select JTAG Test Mode or Host Interface Mode.</p> <p>When set HIGH, <math>\overline{\text{CS}}_{\text{TMS}}</math>, SDOUT_TDO, SDI_TDI and SCLK_TCK are configured for JTAG boundary scan testing.</p> <p>When set LOW, <math>\overline{\text{CS}}_{\text{TMS}}</math>, SDOUT_TDO, SDI_TDI and SCLK_TCK are configured as GSPI pins for normal host interface operation.</p>
K7	F	Synchronous with PCLK	Input	<p>CONTROL SIGNAL INPUT Signal levels are LVCMOS/LVTTL compatible.</p> <p>Used to indicate the ODD / EVEN field of the video signal when DETECT_TRS is set LOW. The device will set the F bit in all outgoing TRS signals for the entire period that the F input signal is HIGH (IOPROC_EN/DIS must also be HIGH).</p> <p>The F signal should be set HIGH for the entire period of field 2 and should be set LOW for all lines in field 1 and for all lines in progressive scan systems.</p> <p>The F signal is ignored when DETECT_TRS = HIGH.</p>

## 2. Electrical Characteristics

### 2.1 Absolute Maximum Ratings

Parameter	Value/Units
Supply Voltage Core	-0.3V to +2.1V
Supply Voltage I/O	-0.3V to +4.6V
Input Voltage Range (any input)	-2.0V to + 5.25V
Ambient Operating Temperature	$-20^{\circ}\text{C} \leq T_A \leq 85^{\circ}\text{C}$
Storage Temperature	$-40^{\circ}\text{C} \leq T_{\text{STG}} \leq 125^{\circ}\text{C}$
ESD Protection On All Pins (see Note 1)	1kV

NOTES:

1. HBM, per JESDA-114B.

### 2.2 DC Electrical Characteristics

**Table 2-1: DC Electrical Characteristics**

$T_A = 0^{\circ}\text{C}$  to  $70^{\circ}\text{C}$ , unless otherwise specified.

Parameter	Symbol	Conditions	Min	Typ	Max	Units	Test Level	Notes
<b>System</b>								
Operation Temperature Range	$T_A$	–	0	–	70	$^{\circ}\text{C}$	3	1
Digital Core Supply Voltage	CORE_VDD	–	1.71	1.8	1.89	V	3	1
Digital I/O Supply Voltage	IO_VDD	–	3.13	3.3	3.47	V	3	1
Charge Pump Supply Voltage	CP_VDD	–	3.13	3.3	3.47	V	3	1
Phase Detector Supply Voltage	PD_VDD	–	1.71	1.8	1.89	V	3	1
Input Buffer Supply Voltage	BUFF_VDD	–	1.71	1.8	1.89	V	3	1
Cable Driver Supply Voltage	CD_VDD	–	1.71	1.8	1.89	V	3	1
External VCO Supply Voltage Output	VCO_VCC	–	2.25	–	2.75	V	1	–
+1.8V Supply Current	$I_{1V8}$	SDO Enabled	–	–	245	mA	3	3
+3.3V Supply Current	$I_{3V3}$	–	–	–	45	mA	3	4
Total Device Power	$P_D$	SDO Enabled	–	–	590	mW	3	–

**Table 2-1: DC Electrical Characteristics (Continued)**T<sub>A</sub> = 0°C to 70°C, unless otherwise specified.

Parameter	Symbol	Conditions	Min	Typ	Max	Units	Test Level	Notes
<b>Digital I/O</b>								
Input Logic LOW	V <sub>IL</sub>	–	–	–	0.8	V	4	–
Input Logic HIGH	V <sub>IH</sub>	–	2.1	–	–	V	4	–
Output Logic LOW	V <sub>OL</sub>	+8mA	–	0.2	0.4	V	4	–
Output Logic HIGH	V <sub>OH</sub>	-8mA	IO_VDD - 0.4	–	–	V	4	–
<b>Input</b>								
RSET Voltage	V <sub>RSET</sub>	RSET=281Ω	0.54	0.6	0.66	V	1	2
<b>Output</b>								
Output Common Mode Voltage	V <sub>CMOUT</sub>	75Ω load, RSET=281Ω, SD and HD	0.8	1.0	1.2	V	1	–

**TEST LEVELS**

1. Production test at room temperature and nominal supply voltage with guardbands for supply and temperature ranges.
2. Production test at room temperature and nominal supply voltage with guardbands for supply and temperature ranges using correlated test.
3. Production test at room temperature and nominal supply voltage.
4. QA sample test.
5. Calculated result based on Level 1, 2, or 3.
6. Not tested. Guaranteed by design simulations.
7. Not tested. Based on characterization of nominal parts.
8. Not tested. Based on existing design/characterization data of similar product.
9. Indirect test.

**NOTES**

1. All DC and AC electrical parameters within specification.
2. Set by the value of the RSET resistor.
3. Sum of all 1.8V supplies.
4. Sum of all 3.3V supplies.

## 2.3 AC Electrical Characteristics

**Table 2-2: AC Electrical Characteristics**T<sub>A</sub> = 0°C to 70°C, unless otherwise shown

Parameter	Symbol	Conditions	Min	Typ	Max	Units	Test Level	Notes
<b>System</b>								
Device Latency	–	10-bit SD	–	21	–	PCLK	8	–
	–	20-bit HD	–	19	–	PCLK	8	–
	–	DVB-ASI	–	11	–	PCLK	8	–
Reset Pulse Width	t <sub>reset</sub>	–	1	–	–	ms	8	1

**Table 2-2: AC Electrical Characteristics (Continued)**

T<sub>A</sub> = 0°C to 70°C, unless otherwise shown

Parameter	Symbol	Conditions	Min	Typ	Max	Units	Test Level	Notes
<b>Parallel Input</b>								
Parallel Clock Frequency	f <sub>PCLK</sub>	–	13.5	–	148.5	MHz	4	–
Parallel Clock Duty Cycle	DC <sub>PCLK</sub>	–	40	–	60	%	6	–
Input Data Setup Time	t <sub>su</sub>	–	2.0	–	–	ns	5	–
Input Data Hold Time	t <sub>ih</sub>	–	1.5	–	–	ns	5	–
<b>Serial Digital Output</b>								
Serial Output Data Rate	DR <sub>SDO</sub>	–	–	1.485	–	Gb/s	1	–
		–	–	1.485/1.001	–	Gb/s	9	–
		–	–	270	–	Mb/s	1	–
Serial Output Swing	ΔV <sub>SDD</sub>	RSET = 281Ω 75Ω load	650	800	950	mVp-p	1	–
Serial Output Rise Time 20% ~ 80%	tr <sub>SDO</sub>	HD signal	–	–	260	ps	1	–
	tr <sub>SDO</sub>	SD signal	400	550	1500	ps	1	–
Serial Output Fall Time 20% ~ 80%	tf <sub>SDO</sub>	HD signal	–	–	260	ps	1	–
	tf <sub>SDO</sub>	SD signal	400	550	1500	ps	1	–
Serial Output Intrinsic Jitter	t <sub>IJ</sub>	Pseudorandom and pathological HD signal	–	90	125	ps	5	–
	t <sub>IJ</sub>	Pseudorandom and pathological SD signal	–	270	350	ps	5	–
<b>GSPI</b>								
GSPI Input Clock Frequency	f <sub>SCLK</sub>	–	–	–	6.6	MHz	8	–
GSPI Input Clock Duty Cycle	DC <sub>SCLK</sub>	–	40	–	60	%	8	–
GSPI Input Data Setup Time	–	–	0	–	–	ns	8	–
GSPI Input Data Hold Time	–	–	1.43	–	–	ns	8	–
GSPI Output Data Hold Time	–	–	2.1	–	–	ns	8	–
GSPI Output Data Delay Time	–	–	–	–	7.27	ns	8	–

TEST LEVELS

1. Production test at room temperature and nominal supply voltage with guardbands for supply and temperature ranges.
2. Production test at room temperature and nominal supply voltage with guardbands for supply and temperature ranges using correlated test.
3. Production test at room temperature and nominal supply voltage.
4. QA sample test.
5. Calculated result based on Level 1, 2, or 3.
6. Not tested. Guaranteed by design simulations.
7. Not tested. Based on characterization of nominal parts.
8. Not tested. Based on existing design/characterization data of similar product.
9. Indirect test.

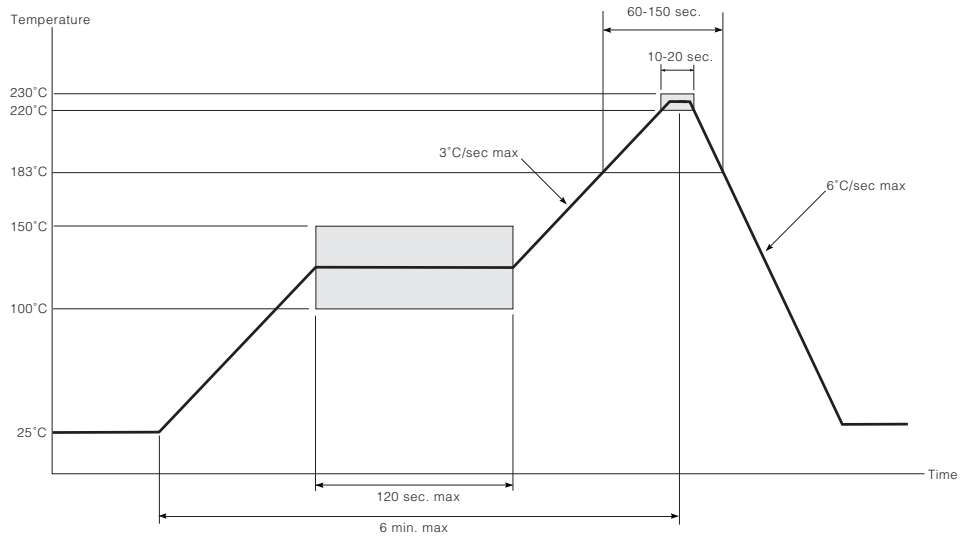
NOTES

1. See [Device Power Up on page 45, Figure 4-12](#).

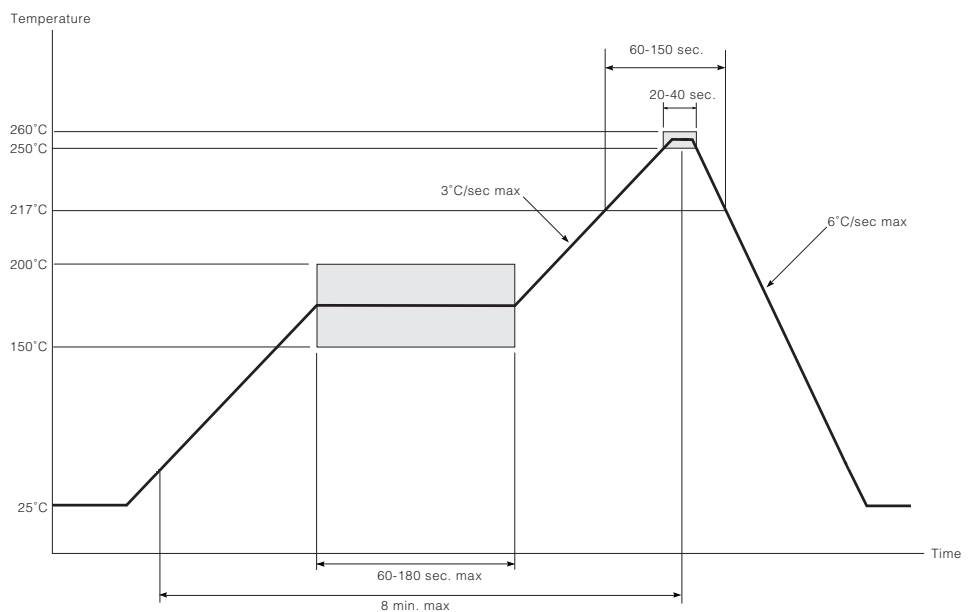
## 2.4 Solder Reflow Profiles

The GS1531 is available in a Pb or Pb-free package. It is recommended that the Pb package be soldered with Pb paste using the Standard Eutectic profile shown in Figure 2-1, and the Pb-free package be soldered with Pb-free paste using the reflow profile shown in Figure 2-2.

NOTE: It is possible to solder a Pb-free package with Pb paste using a Standard Eutectic profile with a reflow temperature maintained at 245°C – 250°C.



**Figure 2-1: Standard Eutectic Solder Reflow Profile (Pb package, Pb paste)**

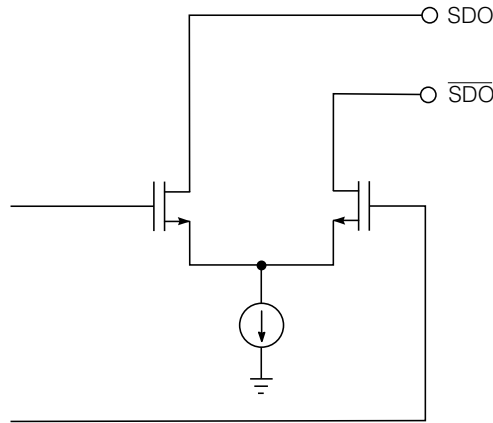


**Figure 2-2: Maximum Pb-free Solder Reflow Profile (Pb-free package, Pb-free paste)**

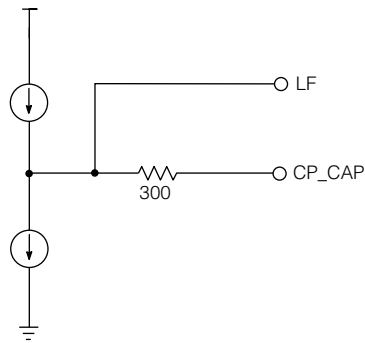


### 3. Input/Output Circuits

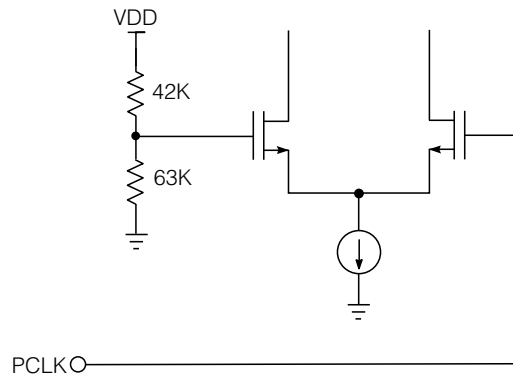
All resistors in ohms, all capacitors in farads, unless otherwise shown.



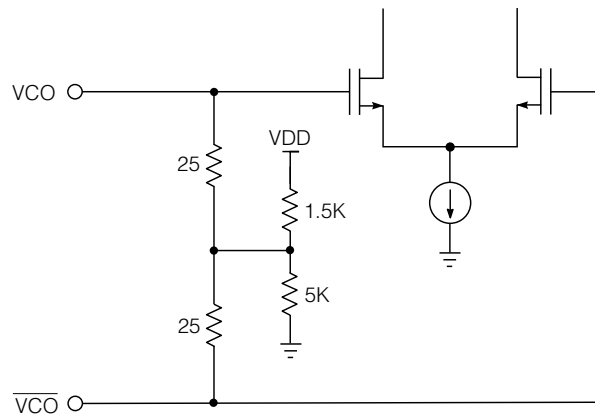
**Figure 3-1: Serial Digital Output**



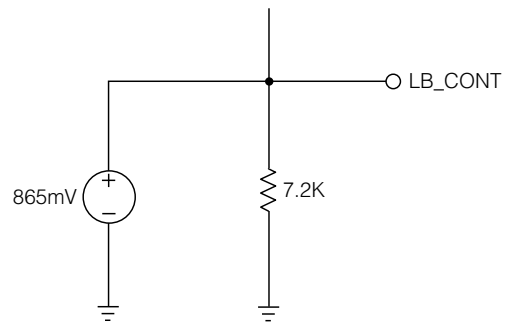
**Figure 3-2: VCO Control Output & PLL Lock Time Capacitor**



**Figure 3-3: PCLK Input**



**Figure 3-4: VCO Input**



**Figure 3-5: PLL Loop Bandwidth Control**

### 3.1 Host Interface Maps

REGISTER NAME	ADDRESS	15	14	13	12	11	10	9	8	7	6	5	4	3	2	1	0
LINE_352M_I2	1Ch	Not Used	Not Used	Not Used	Not Used	Not Used	b10	b9	b8	b7	b6	b5	b4	b3	b2	b1	0
LINE_352M_I1	1Bh	Not Used	Not Used	Not Used	Not Used	Not Used	b10	b9	b8	b7	b6	b5	b4	b3	b2	b1	0
FE_LINE_END_F1	1Ah	Not Used	Not Used	Not Used	Not Used	Not Used	Not Used	b9	b8	b7	b6	b5	b4	b3	b2	b1	0
FE_LINE_START_F1	18h	Not Used	Not Used	Not Used	Not Used	Not Used	Not Used	b9	b8	b7	b6	b5	b4	b3	b2	b1	0
FE_LINE_END_F0	17h	Not Used	Not Used	Not Used	Not Used	Not Used	Not Used	b9	b8	b7	b6	b5	b4	b3	b2	b1	0
FE_LINE_START_F0	16h	Not Used	Not Used	Not Used	Not Used	Not Used	Not Used	b9	b8	b7	b6	b5	b4	b3	b2	b1	0
AP_LINE_END_F1	15h	Not Used	Not Used	Not Used	Not Used	Not Used	Not Used	b9	b8	b7	b6	b5	b4	b3	b2	b1	0
AP_LINE_START_F1	14h	Not Used	Not Used	Not Used	Not Used	Not Used	Not Used	b9	b8	b7	b6	b5	b4	b3	b2	b1	0
AP_LINE_END_F0	13h	Not Used	Not Used	Not Used	Not Used	Not Used	Not Used	b9	b8	b7	b6	b5	b4	b3	b2	b1	0
AP_LINE_START_F0	12h	Not Used	Not Used	Not Used	Not Used	Not Used	Not Used	b9	b8	b7	b6	b5	b4	b3	b2	b1	0
RASTER_STRUCTURE4	11h	Not Used	Not Used	Not Used	Not Used	Not Used	b10	b9	b8	b7	b6	b5	b4	b3	b2	b1	0
RASTER_STRUCTURE3	10h	Not Used	Not Used	Not Used	Not Used	Not Used	b10	b9	b8	b7	b6	b5	b4	b3	b2	b1	0
RASTER_STRUCTURE2	0Fh	Not Used	Not Used	Not Used	Not Used	b11	b10	b9	b8	b7	b6	b5	b4	b3	b2	b1	0
RASTER_STRUCTURE1	0Eh	Not Used	Not Used	Not Used	Not Used	b11	b10	b9	b8	b7	b6	b5	b4	b3	b2	b1	0
	0Dh																
	0Ch																
VIDEO_FORMAT_B	0Bh	VF4-b7	VF4-b6	VF4-b5	VF4-b4	VF4-b3	VF4-b2	VF4-b1	VF4-b0	VF3-b7	VF3-b6	VF3-b5	VF3-b4	VF3-b3	VF3-b2	VF3-b1	VF3-b0
VIDEO_FORMAT_A	0Ah	VF2-b7	VF2-b6	VF2-b5	VF2-b4	VF2-b3	VF2-b2	VF2-b1	VF2-b0	VF1-b7	VF1-b6	VF1-b5	VF1-b4	VF1-b3	VF1-b2	VF1-b1	VF1-b0
	09h																
	08h																
	07h																
	06h																
	05h																
VIDEO_STANDARD	04h	Not Used	VDS-b4	VDS-b3	VDS-b2	VDS-b1	VDS-b0	INT_PROG	STD_LOCK	NOT USED	NOT USED	NOT USED	NOT USED	NOT USED	NOT USED	NOT USED	NOT USED
	03h																
EDH_FLAG	02h	Not Used	ANC-UES	ANC-IDA	ANC-IDH	ANC-EDA	ANC-EDH	FF-UES	FF-IDA	FF-IDH	FF-EDA	FF-EDH	AP-UES	AP-IDA	AP-IDH	AP-EDA	AP-EDH
	01h																
IOPROC_DISABLE	00h	Not Used	Not Used	Not Used	Not Used	Not Used	Not Used	Not Used	H_CONFIG	Not Used	352M_INS	ILLEGAL_RE	EDH_CRC_IN	ANC_CSUM_INS	CRC_INS	LNUM_INS	TRS_INS

### 3.1.1 Host Interface Map (Read Only Registers)

REGISTER NAME	ADDRESS	15	14	13	12	11	10	9	8	7	6	5	4	3	2	1	0
1Ch																	
1Bh																	
1Ah																	
19h																	
18h																	
17h																	
16h																	
15h																	
14h																	
13h																	
12h																	
RASTER_STRUCTURE4	11h						b10	b9	b8	b7	b6	b5	b4	b3	b2	b1	b0
RASTER_STRUCTURE3	10h						b10	b9	b8	b7	b6	b5	b4	b3	b2	b1	b0
RASTER_STRUCTURE2	0Fh					b11	b10	b9	b8	b7	b6	b5	b4	b3	b2	b1	b0
RASTER_STRUCTURE1	0Eh					b11	b10	b9	b8	b7	b6	b5	b4	b3	b2	b1	b0
0Dh																	
0Ch																	
0Bh																	
0Ah																	
09h																	
08h																	
07h																	
06h																	
VIDEO_STANDARD	04h		VDS-b4	VDS-b3	VDS-b2	VDS-b1	VDS-b0	INT_PROG	STD_LOCK								
03h																	
02h																	
01h																	
00h																	

## 3.1.2 Host Interface Map (R/W Configurable Registers)

REGISTER NAME	ADDRESS	15	14	13	12	11	10	9	8	7	6	5	4	3	2	1	0	
LINE_352M_I2	1Ch						b10	b9	b8	b7	b6	b5	b4	b3	b2	b1	b0	
LINE_352M_J1	1Bh						b10	b9	b8	b7	b6	b5	b4	b3	b2	b1	b0	
FF_LINE_END_F1	19h							b9	b8	b7	b6	b5	b4	b3	b2	b1	b0	
FF_LINE_START_F1	18h							b9	b8	b7	b6	b5	b4	b3	b2	b1	b0	
FF_LINE_END_F0	17h							b9	b8	b7	b6	b5	b4	b3	b2	b1	b0	
FF_LINE_START_F0	16h							b9	b8	b7	b6	b5	b4	b3	b2	b1	b0	
AP_LINE_END_F1	15h							b9	b8	b7	b6	b5	b4	b3	b2	b1	b0	
AP_LINE_START_F1	14h							b9	b8	b7	b6	b5	b4	b3	b2	b1	b0	
AP_LINE_END_F0	13h							b9	b8	b7	b6	b5	b4	b3	b2	b1	b0	
AP_LINE_START_F0	12h							b9	b8	b7	b6	b5	b4	b3	b2	b1	b0	
	11h																	
	10h																	
	0Fh																	
	0Eh																	
	0Dh																	
	0Ch																	
VIDEO_FORMAT_B	0Bh	VF4-b7	VF4-b6	VF4-b5	VF4-b4	VF4-b3	VF4-b2	VF4-b1	VF4-b0	VF3-b7	VF3-b6	VF3-b5	VF3-b4	VF3-b3	VF3-b2	VF3-b1	VF3-b0	
VIDEO_FORMAT_A	0Ah	VF2-b7	VF2-b6	VF2-b5	VF2-b4	VF2-b3	VF2-b2	VF2-b1	VF2-b0	VF1-b7	VF1-b6	VF1-b5	VF1-b4	VF1-b3	VF1-b2	VF1-b1	VF1-b0	
	09h																	
	08h																	
	07h																	
	06h																	
	05h																	
	04h																	
	03h																	
EDH_FLAG	02h		ANC-JES	ANC-IDA	ANC-IDH	ANC-EDA	ANC-EDH	FF-JES	FF-IDA	FF-IDH	FF-EDA	FF-EDH	AF-JES	AF-IDA	AF-IDH	AF-EDA	AF-EDH	
IOPROC_DISABLE	00h									H_CONFIG		352M_INS MAP	ILLEGAL_RE S	EDH_CRC_IN S	ANC_	CRC_INS	LNUM_INS	IIFS_INS

## 4. Detailed Description

### 4.1 Functional Overview

The GS1531 is a multi-rate serializer with an integrated cable driver. When used in conjunction with the external GO1555/GO1525\* Voltage Controlled Oscillator, a transmit solution at 1.485Gb/s, 1.485/1.001Gb/s or 270Mb/s is realized.

The device has three different modes of operation which must be set through external device pins.

When SMPTE mode is enabled, the device will accept 10-bit multiplexed or 20-bit demultiplexed SMPTE compliant data at both HD and SD signal rates. The device's additional processing features are also enabled in this mode.

In DVB-ASI mode, the GS1531 will accept an 8-bit parallel DVB-ASI compliant transport stream on its upper input bus. The serial output data stream will be 8b/10b encoded and stuffed.

The GS1531's third mode allows for the serializing of data not conforming to SMPTE or DVB-ASI streams.

The provided serial digital outputs feature a high impedance mode, output mute on loss of parallel clock and adjustable signal swing. The output slew rate is automatically controlled by the SD/HD setting.

In the digital signal processing core, several data processing functions are implemented including SMPTE 352M and EDH data packet generation and insertion, and automatic video standards detection. These features are all enabled by default, but may be individually disabled via internal registers accessible through the GSPI host interface.

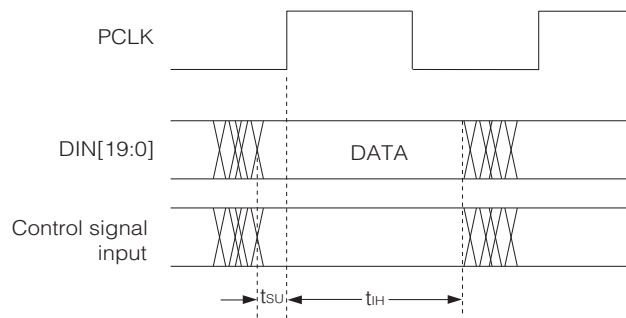
Finally, the GS1531 contains a JTAG interface for boundary scan test implementations.

\*For new designs use GO1555

### 4.2 Parallel Data Inputs

Data inputs enter the device on the rising edge of PCLK as shown in [Figure 4-1](#).

The input data format is defined by the setting of the external  $\overline{\text{SD/HD}}$ ,  $\overline{\text{SMPTE\_BYPASS}}$  and  $\overline{\text{DVB\_ASI}}$  pins and may be presented in 10-bit or 20-bit format. The input data bus width is controlled independently from the internal data bus width by the 20bit/10bit input pin.



**Figure 4-1: PCLK to Data Timing**

### 4.2.1 Parallel Input in SMPTE Mode

When the device is operating in SMPTE mode, see [SMPTE Mode on page 25](#), both SD and HD data may be presented to the input bus in either multiplexed or demultiplexed form depending on the setting of the 20bit/10bit input pin.

In 20-bit mode, (20bit/10bit = HIGH), the input data format should be word aligned, demultiplexed luma and chroma data. Luma words should be presented to DIN[19:10] while chroma words should occupy DIN[9:0].

In 10-bit mode, (20bit/10bit = LOW), the input data format should be word aligned, multiplexed luma and chroma data. The data should be presented to DIN[19:10]. DIN[9:0] will be high impedance in this mode.

### 4.2.2 Parallel Input in DVB-ASI Mode

When operating in DVB-ASI mode, see [DVB-ASI mode on page 26](#), the GS1531 requires the input data bus to be configured for 10-bit operation (20bit/10bit = LOW).

The device accepts 8-bit data words on DIN[17:10] such that DIN17 = HIN is the most significant bit of the encoded transport stream data and DIN10 = AIN is the least significant bit.

In addition, DIN19 and DIN18 are configured as the DVB-ASI control signals INSSYNCIN and KIN respectively. See [DVB-ASI mode on page 26](#) for a description of these DVB-ASI specific input signals.

The pins DIN[9:0] are high impedance when the GS1531 is operating in DVB-ASI mode.

### 4.2.3 Parallel Input in Data-Through Mode

When operating in Data-Through mode, see [Data-Through Mode on page 28](#), the GS1531 passes data presented to the parallel input bus to the serial output without performing any encoding or scrambling.

The input data bus width accepted by the device in this mode is controlled by the setting of the 20bit/10bit pin.

### 4.2.4 Parallel Input Clock (PCLK)

The frequency of the PCLK input signal required by the GS1531 is determined by the input data format. Table 4-1 below lists the possible input signal formats and their corresponding parallel clock rates.

NOTE: DVB-ASI input requires a 10-bit wide input data bus (20bit/10bit = LOW).

**Table 4-1: Parallel Data Input Format**

Input Data Format	DIN [19:10]	DIN [9:0]	PCLK	Control Signals			
				20bit/ 10bit	SD/ HD	SMPTE_BYPASS	DVB_ASI
<b>SMPTE MODE</b>							
20bit DEMULTIPLEXED SD	LUMA	CHROMA	13.5MHz	HIGH	HIGH	HIGH	LOW
10bit MULTIPLEXED SD	LUMA / CHROMA	HIGH IMPEDANCE	27MHz	LOW	HIGH	HIGH	LOW
20bit DEMULTIPLEXED HD	LUMA	CHROMA	74.25 or 74.25/ 1.001MHz	HIGH	LOW	HIGH	LOW
10bit MULTIPLEXED HD	LUMA / CHROMA	HIGH IMPEDANCE	148.5 or 148.5/ 1.001MHz	LOW	LOW	HIGH	LOW
<b>DVB-ASI MODE</b>							
10bit DVB-ASI	DVB-ASI DATA	HIGH IMPEDANCE	27MHz	LOW LOW	HIGH HIGH	LOW LOW	HIGH HIGH
<b>DATA-THROUGH MODE</b>							
20bit DEMULTIPLEXED SD	DATA	DATA	13.5MHz	HIGH	HIGH	LOW	LOW
10bit MULTIPLEXED SD	DATA	HIGH IMPEDANCE	27MHz	LOW	HIGH	LOW	LOW
20bit DEMULTIPLEXED HD	DATA	DATA	74.25 or 74.25/ 1.001MHz	HIGH	LOW	LOW	LOW
10bit MULTIPLEXED HD	DATA	HIGH IMPEDANCE	148.5 or 148.5/ 1.001MHz	LOW	LOW	LOW	LOW



## 4.3 SMPTE Mode

The GS1531 is said to be in SMPTE mode when the  $\overline{\text{SMPTE\_BYPASS}}$  pin is set HIGH and the DVB\_ASI pin is set LOW.

In this mode, the parallel data will be scrambled according to SMPTE 259M or 292M, and NRZ-to-NRZI encoded prior to serialization.

### 4.3.1 Internal Flywheel

The GS1531 has an internal flywheel which is used in the generation of internal / external timing signals, and in automatic video standards detection. It is operational in SMPTE mode only.

The flywheel consists of a number of counters and comparators operating at video pixel and video line rates. These counters maintain information about the total line length, active line length, total number of lines per field / frame and total active lines per field / frame for the received video standard.

When DETECT\_TRS is LOW, the flywheel will be locked to the externally supplied H, V, and F timing signals.

When DETECT\_TRS is HIGH, the flywheel will be locked to the embedded TRS signals in the parallel input data. Both 8-bit and 10-bit TRS code words will be identified by the device.

The flywheel 'learns' the video standard by timing the horizontal and vertical reference information supplied at the H, V, and F input pins, or contained in the TRS ID words of the received video data. Full synchronization of the flywheel to the received video standard therefore requires one complete video frame.

Once synchronization has been achieved, the flywheel will continue to monitor the received TRS timing or the supplied H, V, and F timing information to maintain synchronization.

### 4.3.2 HVF Timing Signal Extraction

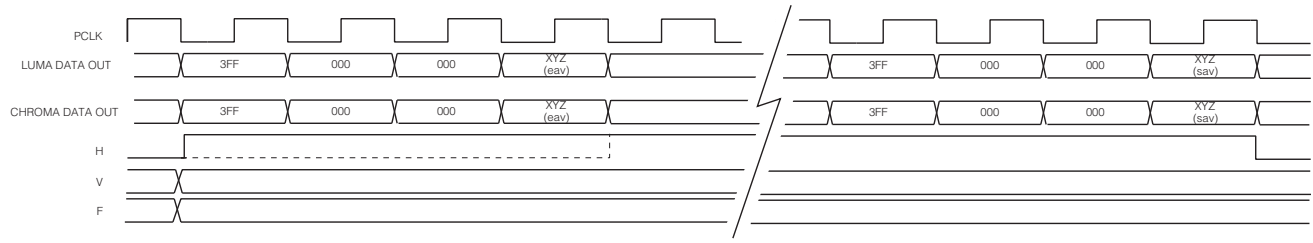
As discussed above, the GS1531's internal flywheel may be locked to externally provided H, V, and F signals when DETECT\_TRS is set LOW.

The H signal timing should also be configured via the H\_CONFIG bit of the internal IOPROC\_DISABLE register as either active line based blanking or TRS based blanking, see [Packet Generation and Insertion on page 30](#).

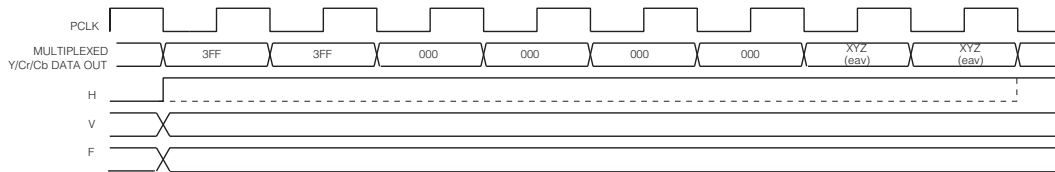
Active line based blanking is enabled when the H\_CONFIG bit is set LOW. In this mode, the H input should be HIGH for the entire horizontal blanking period, including the EAV and SAV TRS words. This is the default H timing assumed by the device.

When H\_CONFIG is set HIGH, TRS based blanking is enabled. In this case, the H input should be set HIGH for the entire horizontal blanking period as indicated by the H bit in the associated TRS words.

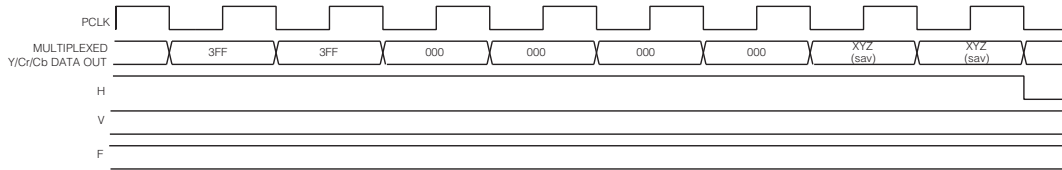
The timing of these signals is shown in [Figure 4-2](#).



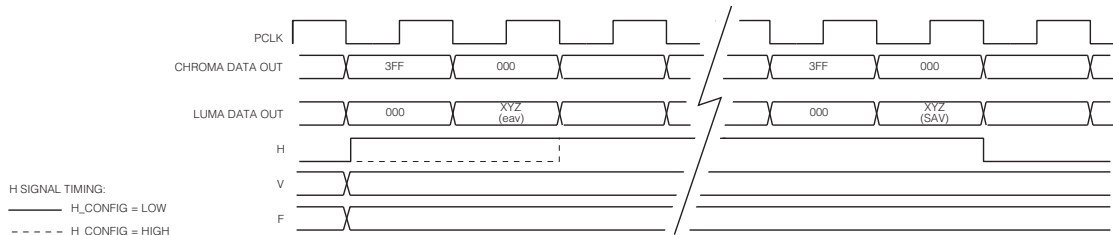
H:V:F TIMING - HD 20-BIT INPUT MODE



H:V:F TIMING AT EAV - HD 10-BIT INPUT MODE

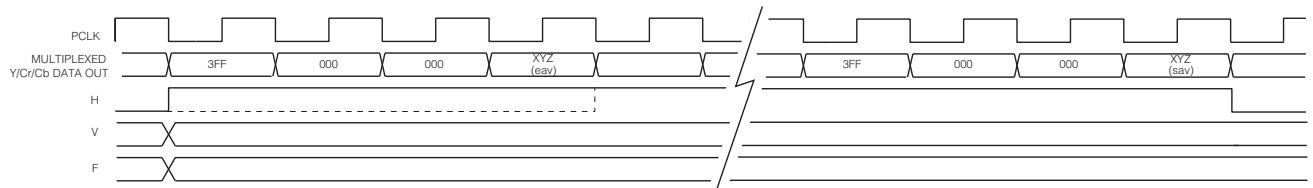


H:V:F TIMING AT SAV - HD 10-BIT INPUT MODE



H SIGNAL TIMING:  
 — H\_CONFIG = LOW  
 - - - H\_CONFIG = HIGH

H:V:F TIMING - SD 20-BIT INPUT MODE



H:V:F TIMING - SD 10-BIT INPUT MODE

Figure 4-2: H, V, F Timing

## 4.4 DVB-ASI mode

To operate the GS1531 in DVB-ASI mode, set the SMPTE\_BYPASS and 20bit/10bit pins LOW, and the DVB\_ASI and SD/HD pins HIGH.

### 4.4.1 Control Signal Inputs

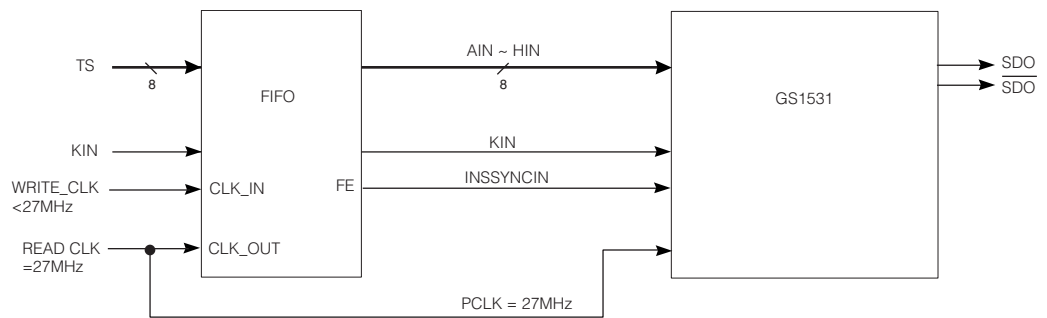
In DVB-ASI mode, the DIN19 and DIN18 pins will be configured as DVB-ASI control signals INSSYNCIN and KIN respectively.

When INSSYNCIN is set HIGH, the device will insert K28.5 sync characters into the data stream. This function is used to assist system implementations where the GS1531 may be preceded by an external data FIFO. Parallel DVB-ASI data may be clocked into the FIFO at some rate less than 27MHz. The INSSYNCIN input may then be connected to the FIFO empty signal, thus providing a means of padding up the data transmission rate to 27MHz. See [Figure 4-3](#).

NOTE: 8b/10b encoding will take place after K28.5 sync character insertion.

KIN should be set HIGH whenever the parallel data input is to be interpreted as any special character defined by the DVB-ASI standard (including the K28.5 sync character). This pin should be set LOW when the input is to be interpreted as data.

NOTE: When operating in DVB-ASI mode, DIN[9:0] become high impedance.



**Figure 4-3: DVB-ASI FIFO Implementation using the GS1531**

## 4.5 Data-Through Mode

The GS1531 may be configured to operate as a simple parallel-to-serial converter. In this mode, the device presents data to the output buffer without performing any scrambling or encoding.

Data-through mode is enabled only when both the  $\overline{\text{SMPTE\_BYPASS}}$  and  $\overline{\text{DVB\_ASI}}$  pins are set LOW.

## 4.6 Additional Processing Functions

The GS1531 contains an additional data processing block which is available in SMPTE mode only, see [SMPTE Mode on page 25](#).

### 4.6.1 Input Data Blank

The video input data may be 'blanked' by the GS1531. In this mode, all input video data except TRS words are set to the appropriate blanking levels by the device. Both the horizontal and vertical ancillary data spaces will also be set to blanking levels.

This function is enabled by setting the  $\overline{\text{BLANK}}$  pin LOW.

### 4.6.2 Automatic Video Standard Detection

The GS1531 can detect the input video standard by using the timing parameters extracted from the received TRS ID words or supplied H, V, and F timing signals, see [Internal Flywheel on page 25](#). This information is presented to the host interface via the VIDEO\_STANDARD register ([Table 4-2](#)).

Total samples per line, active samples per line, total lines per field/frame and active lines per field/frame are also calculated and presented to the host interface via the RASTER\_STRUCTURE registers ([Table 4-3](#)). These line and sample count registers are updated once per frame at the end of line 12. This is in addition to the information contained in the VIDEO\_STANDARD register.

After device reset, the four RASTER\_STRUCTURE registers default to zero.

**Table 4-2: Host Interface Description for Video Standard Register**

Register Name	Bit	Name	Description	R/W	Default
VIDEO_STANDARD Address: 004h	15	–	Not Used.	–	–
	14-10	VD_STD[4:0]	Video Data Standard (see <a href="#">Table 4-4</a> ).	R	0
	9	$\overline{\text{INT\_PROG}}$	Interlace/Progressive: Set LOW if detected video standard is PROGRESSIVE and is set HIGH if it is INTERLACED.	R	0
	8	STD_LOCK	Standard Lock: Set HIGH when flywheel has achieved full synchronization.	R	0
	7-0	–	Not Used.	–	–

**Table 4-3: Host Interface Description for Raster Structure Registers**

Register Name	Bit	Name	Description	R/W	Default
RASTER_STRUCTURE1 Address: 00Eh	15-12	–	Not Used.	–	–
	11-0	RASTER_STRUCTURE_1[11:0]	Words Per Active Line	R	0
RASTER_STRUCTURE2 Address: 00Fh	15-13	–	Not Used.	–	–
	12-0	RASTER_STRUCTURE_2[12:0]	Words Per Total Line.	R	0
RASTER_STRUCTURE3 Address: 010h	15-11	–	Not Used.	–	–
	10-0	RASTER_STRUCTURE_3[10:0]	Total Lines Per Frame	R	0
RASTER_STRUCTURE4 Address: 011h	15-11	–	Not Used.	–	–
	10-0	RASTER_STRUCTURE_4[10:0]	Active Lines Per Field	R	0

**4.6.2.1 Video Standard Indication**

The video standard codes reported in the VD\_STD[4:0] bits of the VIDEO\_STANDARD register represent the SMPTE standards as shown in [Table 4-4](#).

In addition to the 5-bit video standard code word, the VIDEO\_STANDARD register also contains two status bits. The STD\_LOCK bit will be set HIGH whenever the flywheel has achieved full synchronization. The INT\_PROG bit will be set LOW if the detected video standard is progressive and HIGH if the detected video standard is interlaced.

The VD\_STD[4:0], STD\_LOCK and INT\_PROG bits of the VIDEO\_STANDARD register will default to zero after device reset. The VD\_STD[4:0] and INT\_PROG bits will also default to zero if the SMPTE\_BYPASS pin is asserted LOW or if the LOCKED output is LOW. The STD\_LOCK bit will retain its previous value if the PCLK is removed.

**Table 4-4: Supported Video Standards**

VD_STD[4:0]	SMPTE Standard	Video Format	Length of HANC	Length of Active Video	Total Samples	SMPTE352M Lines
00h	296M (HD)	1280x720/60 (1:1)	358	1280	1650	10
01h	296M (HD)	1280x720/60 (1:1) - EM	198	1440	1650	10
02h	296M (HD)	1280x720/30 (1:1)	2008	1280	3300	10
03h	296M (HD)	1280x720/30 (1:1) - EM	408	2880	3300	10
04h	296M (HD)	1280x720/50 (1:1)	688	1280	1980	10
05h	296M (HD)	1280x720/50 (1:1) - EM	240	1728	1980	10
06h	296M (HD)	1280x720/25 (1:1)	2668	1280	3960	10
07h	296M (HD)	1280x720/25 (1:1) - EM	492	3456	3960	10

**Table 4-4: Supported Video Standards (Continued)**

VD_STD[4:0]	SMPTE Standard	Video Format	Length of HANC	Length of Active Video	Total Samples	SMPTE352M Lines
08h	296M (HD)	1280x720/24 (1:1)	2833	1280	4125	10
09h	296M (HD)	1280x720/24 (1:1) - EM	513	3600	4125	10
0Ah	274M (HD)	1920x1080/60 (2:1) or 1920x1080/30 (PsF)	268	1920	2200	10, 572
0Bh	274M (HD)	1920x1080/30 (1:1)	268	1920	2200	18
0Ch	274M (HD)	1920x1080/50 (2:1) or 1920x1080/25 (PsF)	708	1920	2640	10, 572
0Dh	274M (HD)	1920x1080/25 (1:1)	708	1920	2640	18
0Eh	274M (HD)	1920x1080/25 (1:1) - EM	324	2304	2640	18
0Fh	274M (HD)	1920x1080/25 (PsF) - EM	324	2304	2640	10, 572
10h	274M (HD)	1920x1080/24 (1:1)	818	1920	2750	18
11h	274M (HD)	1920x1080/24 (PsF)	818	1920	2750	10, 572
12h	274M (HD)	1920x1080/24 (1:1) - EM	338	2400	2750	18
13h	274M (HD)	1920x1080/24 (PsF) - EM	338	2400	2750	10, 572
14h	295M (HD)	1920x1080/50 (2:1)	444	1920	2376	10, 572
15h	260M (HD)	1920x1035/60 (2:1)	268	1920	2200	10, 572
16h	125M (SD)	1440x487/60 (2:1) (Or dual link progressive)	268	1440	1716	10, 276
17h	125M (SD)	1440x507/60 (2:1)	268	1440	1716	10, 276
19h	125M (SD)	525-line 487 generic	–	–	1716	10, 276
1Bh	125M (SD)	525-line 507 generic	–	–	1716	10, 276
18h	ITU-R BT.656 (SD)	1440x576/50 (2:1) (Or dual link progressive)	280	1440	1728	9, 322
1Ah	ITU-R BT.656 (SD)	625-line generic (EM)	–	–	1728	9, 322
1Dh	Unknown HD	–	–	–	–	–
1Eh	Unknown SD	–	–	–	–	–
1Ch, 1Fh	Reserved	–	–	–	–	–

NOTE: Though the GS1531 will work correctly on and serialize both 59.94Hz and 60Hz formats, it will not distinguish between them.

### 4.6.3 Packet Generation and Insertion

In addition to input data blanking and automatic video standards detection, the GS1531 may also calculate, assemble and insert into the data stream various types of ancillary data packets and TRS ID words.

These features are only available when the device is set to operated in SMPTE mode and the IOPROC\_EN/DIS pin is set HIGH. Individual insertion features may be enabled or disabled via the IOPROC\_DISABLE register (Table 4-5).

All of the IOPROC\_DISABLE register bits default to '0' after device reset, enabling all of the processing features. To disable any individual error correction feature, the host interface must set the corresponding bit HIGH in this register.

**Table 4-5: Host Interface Description for Internal Processing Disable Register**

Register Name	Bit	Name	Description	R/W	Default
IOPROC_DISABLE Address: 000h	15-9	–	Not Used.	–	–
	8	H_CONFIG	Horizontal sync timing input configuration. Set LOW when the H input timing is based on active line blanking (default). Set HIGH when the H input timing is based on the H bit of the TRS words. See Figure 4-2.	R/W	0
	7	–	Not Used.	–	–
	6	352M_INS	SMPTE352M packet insertion. In HD mode, 352M packets are inserted in the Y channel only when one of the bytes in the VIDEO_FORMAT_A or VIDEO_FORMAT_B registers are programmed with non-zero values. The IOPROC_EN/DIS pin and SMPTE_BYPASS pin must also be set HIGH. Set HIGH to disable.	R/W	0
	5	ILLEGAL_REMAP	Illegal Code Remapping. Detection and correction of illegal code words within the active picture area (AP). The IOPROC_EN/DIS pin and SMPTE_BYPASS pin must also be set HIGH. Set HIGH to disable.	R/W	0
	4	EDH_CRC_INS	Error Detection & Handling (EDH) Cyclical Redundancy Check (CRC) error correction. In SD mode the GS1531 will generate and insert EDH packets. The IOPROC_EN/DIS pin and SMPTE_BYPASS pin must also be set HIGH. Set HIGH to disable.	R/W	0
	3	ANC_CSUM_INS	Ancillary Data Checksum insertion. The IOPROC_EN/DIS pin and SMPTE_BYPASS pin must also be set HIGH. Set HIGH to disable.	R/W	0
	2	CRC_INS	Y and C line-based CRC insertion. In HD mode, line-based CRC words are inserted in both the Y and C channels. The IOPROC_EN/DIS pin and SMPTE_BYPASS pin must be also set HIGH. Set HIGH to disable	R/W	0
	1	LNUM_INS	Y and C line number insertion - HD mode only. The IOPROC_EN/DIS pin and SMPTE_BYPASS pin must be set HIGH. Set HIGH to disable.	R/W	0
	0	TRS_INS	Timing Reference Signal Insertion. Occurs only when IOPROC_EN/DIS is HIGH and SMPTE_BYPASS is HIGH. Set HIGH to disable.	R/W	0

#### 4.6.3.1 SMPTE 352M Payload Identifier Insertion

The GS1531 can generate and insert SMPTE 352M payload identifier ancillary data packets into the data stream, based on information programmed into the host interface.

When this feature is enabled, the device will automatically generate the ancillary data preambles, (DID, SDID, DBN, DC), and calculate the checksum. The SMPTE 352M packet will be inserted into the data stream according to the line numbers programmed in the LINE\_352M registers (Table 4-6).

The insertion process will only take place if one or more of the four VIDEO\_FORMAT registers (Table 4-7) have been programmed with non-zero values. In addition, the GS1531 requires the 352M\_INS bit of the IOPROC\_DISABLE register be set LOW.

NOTE 1: For the purpose of determining the line and pixel position for insertion, the GS1531 will differentiate between PsF and interlaced formats by interrogating bits 14 and 15 of the VIDEO\_FORMAT\_A register.

The packets will be inserted immediately after the EAV word in SD video streams and immediately after the line-based CRC word in the Y channel of HD video streams.

NOTE 2: It is the responsibility of the user to ensure that there is sufficient space in the horizontal blanking interval for the insertion of the SMPTE 352M packets.

If there are other ancillary data packets present, the SMPTE 352M packet will be inserted in the first available location in the horizontal ancillary space. Ancillary data must be adjacent to the EAV in SD streams or to the line based-CRC in HD streams. Where there is insufficient space available, the 352M packets will not be inserted.

**Table 4-6: Host Interface Description for SMPTE 352M Packet Line Number Insertion Registers**

Register Name	Bit	Name	Description	R/W	Default
LINE_352M_f1 Address: 01Bh	15-11	–	Not Used.	–	–
	10-0	LINE_0_352M[10:0]	Line number where SMPTE352M packet is inserted in field 1.	R/W	0
LINE_352M_f2 Address: 01Ch	15-11	–	Not Used.	–	–
	10-0	LINE_1_352M[10:0]	Line number where SMPTE352M packet is inserted in field 2.	R/W	0



**Table 4-7: Host Interface Description for SMPTE 352M Payload Identifier Registers**

Register Name	Bit	Name	Description	R/W	Default
VIDEO_FORMAT_B Address: 00Bh	15-8	SMPTE352M Byte 4	SMPTE 352M Byte 4 information must be programmed in this register when 352M_INS = LOW.	R/W	0
	7-0	SMPTE352M Byte 3	SMPTE 352M Byte 3 information must be programmed in this register when 352M_INS = LOW.	R/W	0
VIDEO_FORMAT_A Address: 00Ah	15-8	SMPTE352M Byte 2	SMPTE 352M Byte 2 information must be programmed in this register when 352M_INS = LOW.	R/W	0
	7-0	SMPTE 352M Byte 1	SMPTE 352M Byte 1 information must be programmed in this register when 352M_INS = LOW.	R/W	0

#### 4.6.3.2 Illegal Code Remapping

If the ILLEGAL\_REMAP bit of the IOPROC\_DISABLE register is set LOW, the GS1531 will remap all codes within the active picture between the values of 3FCh and 3FFh to 3FBh. All codes within the active picture area between the values of 000h and 003h will be remapped to 004h.

In addition, 8-bit TRS and ancillary data preambles will be remapped to 10-bit values if this feature is enabled.

#### 4.6.3.3 EDH Generation and Insertion

When operating in SD mode, ( $\overline{SD/HD}$  = HIGH), the GS1531 will generate and insert complete EDH packets into the data stream. Packet generation and insertion will only take place if the EDH\_CRC\_INS bit of the IOPROC\_DISABLE register is set LOW.

The GS1531 will generate all of the required EDH packet data including all ancillary data preambles, (DID, DBN, DC), reserved code words and checksum. Calculation of both full field (FF) and active picture (AP) CRC's will be carried out by the device.

SMPTE RP165 specifies the calculation ranges and scope of EDH data for standard 525 and 625 component digital interfaces. The GS1531 will utilize these standard ranges by default.

If the received video format does not correspond to 525 or 625 digital component video standards as determined by the flywheel pixel and line counters, then one of two schemes for determining the EDH calculation ranges will be employed:

1. Ranges will be based on the line and pixel ranges programmed by the host interface; or
2. In the absence of user-programmed calculation ranges, ranges will be determined from the received TRS ID words or supplied H, V, and F timing signals, see [Internal Flywheel on page 25](#).

The registers available to the host interface for programming EDH calculation ranges include active picture and full field line start and end positions for both fields. Table 4-8 shows the relevant registers, which default to '0' after device reset.

If any or all of these register values are zero, then the EDH CRC calculation ranges will be determined from the flywheel generated H signal. The first active and full field pixel will always be the first pixel after the SAV TRS code word. The last active and full field pixel will always be the last pixel before the start of the EAV TRS code words.

EDH error flags (EDH, EDA, IDH, IDA and UES) for ancillary data, full field and active picture will also be inserted. These flags must be programmed into the EDH\_FLAG registers of the device (Table 4-9).

NOTE 1: It is the responsibility of the user to ensure that the EDH flag registers are updated once per field.

The prepared EDH packet will be inserted at the appropriate line of the video stream according to RP165. The start pixel position of the inserted packet will be based on the SAV position of that line such that the last byte of the EDH packet (the checksum) will be placed in the sample immediately preceding the start of the SAV TRS word.

NOTE 2: It is also the responsibility of the user to ensure that there is sufficient space in the horizontal blanking interval for the EDH packet to be inserted.

**Table 4-8: Host Interface Description for EDH Calculation Range Registers**

Register Name	Bit	Name	Description	R/W	Default
AP_LINE_START_F0 Address: 012h	15-10	–	Not Used.	–	–
	9-0	AP_LINE_START_F0[9:0]	Field 0 Active Picture start line data used to set EDH calculation range outside of RP 165 values.	R/W	0
AP_LINE_END_F0 Address: 013h	15-10	–	Not Used.	–	–
	9-0	AP_LINE_END_F0[9:0]	Field 0 Active Picture end line data used to set EDH calculation range outside of RP 165 values.	R/W	0
AP_LINE_START_F1 Address: 014h	15-10	–	Not Used.	–	–
	9-0	AP_LINE_START_F1[9:0]	Field 1 Active Picture start line data used to set EDH calculation range outside of RP 165 values.	R/W	0
AP_LINE_END_F1 Address: 015h	15-10	–	Not Used.	–	–
	9-0	AP_LINE_END_F1[9:0]	Field 1 Active Picture end line data used to set EDH calculation range outside of RP 165 values.	R/W	0

**Table 4-8: Host Interface Description for EDH Calculation Range Registers (Continued)**

Register Name	Bit	Name	Description	R/W	Default
FF_LINE_START_F0 Address: 016h	15-10	–	Not Used.	–	–
	9-0	FF_LINE_START_F0[9:0]	Field 0 Full Field start line data used to set EDH calculation range outside of RP 165 values.	R/W	0
FF_LINE_END_F0 Address: 017h	15-10	–	Not Used.	–	–
	9-0	FF_LINE_END_F0[9:0]	Field 0 Full Field end line data used to set EDH calculation range outside of RP 165 values.	R/W	0
FF_LINE_START_F1 Address: 018h	15-10	–	Not Used.	–	–
	9-0	FF_LINE_START_F1[9:0]	Field 1 Full Field start line data used to set EDH calculation range outside of RP-165 values.	R/W	0
FF_LINE_END_F1 Address: 019h	15-10	–	Not Used.	–	–
	9-0	FF_LINE_END_F1[9:0]	Field 1 Full Field end line data used to set EDH calculation range outside of RP-165 values.	R/W	0

**Table 4-9: Host Interface Description for EDH Flag Register**

Register Name	Bit	Name	Description	R/W	Default
EDH_FLAG Address: 002h	15	–	Not Used.	–	–
	14	ANC-UES	Ancillary Unknown Error Status flag will be generated and inserted when <u>IOPROC_EN/DIS</u> and <u>SMPTE_BYPASS</u> pins are HIGH and EDH_CRC_INS bit is LOW. SD mode only.	R/W	0
	13	ANC-IDA	Ancillary Internal device error Detected Already flag will be generated and inserted when <u>IOPROC_EN/DIS</u> and <u>SMPTE_BYPASS</u> pins are HIGH and EDH_CRC_INS bit is LOW. SD mode only.	R/W	0
	12	ANC-IDH	Ancillary Internal device error Detected Here flag will be generated and inserted when <u>IOPROC_EN/DIS</u> and <u>SMPTE_BYPASS</u> pins are HIGH and EDH_CRC_INS bit is LOW. SD mode only.	R/W	0
	11	ANC-EDA	Ancillary Error Detected Already flag will be generated and inserted when <u>IOPROC_EN/DIS</u> and <u>SMPTE_BYPASS</u> pins are HIGH and EDH_CRC_INS bit is LOW. SD mode only.	R/W	0
	10	ANC-EDH	Ancillary Error Detected Here flag will be generated and inserted when <u>IOPROC_EN/DIS</u> and <u>SMPTE_BYPASS</u> pins are HIGH and EDH_CRC_INS bit is LOW. SD mode only.	R/W	0

**Table 4-9: Host Interface Description for EDH Flag Register (Continued)**

Register Name	Bit	Name	Description	R/W	Default
	9	FF-UES	Full Field Unknown Error flag will be generated and inserted when IOPROC_EN/DIS and SMPTE_BYPASS pins are HIGH and EDH_CRC_INS bit is LOW. SD mode only.	R/W	0
	8	FF-IDA	Full Field Internal device error Detected Already flag will be generated and inserted when IOPROC_EN/DIS and SMPTE_BYPASS pins are HIGH and EDH_CRC_INS bit is LOW. SD mode only.	R/W	0
	7	FF-IDH	Full Field Internal device error Detected flag will be generated and inserted when IOPROC_EN/DIS and SMPTE_BYPASS pins are HIGH and EDH_CRC_INS bit is LOW. SD mode only.	R/W	0
	6	FF-EDA	Full Field Error Detected Already flag will be generated and inserted when IOPROC_EN/DIS and SMPTE_BYPASS pins are HIGH and EDH_CRC_INS bit is LOW. SD mode only.	R/W	0
	5	FF-EDH	Full Field Error Detected Here flag will be generated and inserted when IOPROC_EN/DIS and SMPTE_BYPASS pins are HIGH and EDH_CRC_INS bit is LOW. SD mode only.	R/W	0
	4	AP-UES	Active Picture Unknown Error Status flag will be generated and inserted when IOPROC_EN/DIS and SMPTE_BYPASS pins are HIGH and EDH_CRC_INS bit is LOW. SD mode only.	R/W	0
	3	AP-IDA	Active Picture Internal device error Detected Already flag will be generated and inserted when IOPROC_EN/DIS and SMPTE_BYPASS pins are HIGH and EDH_CRC_INS bit is LOW. SD mode only.	R/W	0
	2	AP-IDH	Active Picture Internal device error Detected Here flag will be generated and inserted when IOPROC_EN/DIS and SMPTE_BYPASS pins are HIGH and EDH_CRC_INS bit is LOW. SD mode only.	R/W	0
	1	AP-EDA	Active Picture Error Detected Already flag will be generated and inserted when IOPROC_EN/DIS and SMPTE_BYPASS pins are HIGH and EDH_CRC_INS bit is LOW. SD mode only.	R/W	0
	0	AP-EDH	Active Picture Error Detected Here flag will be generated and inserted when IOPROC_EN/DIS and SMPTE_BYPASS pins are HIGH and EDH_CRC_INS bit is LOW. SD mode only.	R/W	0

#### 4.6.3.4 Ancillary Data Checksum Generation and Insertion

The GS1531 will calculate checksums for all detected ancillary data packets presented to the device. These calculated checksum values are inserted into the data stream prior to serialization.

Ancillary data checksum generation and insertion will only take place if the ANC\_CSUM\_INS bit of the IOPROC\_DISABLE register is set LOW.

#### 4.6.3.5 Line Based CRC Generation and Insertion

The GS1531 will generate and insert line based CRC words into both the Y and C channels of the data stream. This feature is only available in HD mode and is enabled by setting the CRC\_INS bit of the IOPROC\_DISABLE register LOW.

#### 4.6.3.6 HD Line Number Generation and Insertion

In HD mode, the GS1531 will calculate and insert line numbers into the Y and C channels of the output data stream.

Line number generation is in accordance with the relevant HD video standard as determined by the device, see [Automatic Video Standard Detection on page 28](#).

This feature is enabled when  $\overline{SD/HD}$  = LOW, and the LNUM\_INS bit of the IOPROC\_DISABLE register is set LOW.

#### 4.6.3.7 TRS Generation and Insertion

The GS1531 can generate and insert 10-bit TRS code words into the data stream as required. This feature is enabled by setting the TRS\_INS bit of the IOPROC\_DISABLE register LOW.

TRS word generation will be performed in accordance with the timing parameters generated by the flywheel which will be locked either to the received TRS ID words or the supplied H, V, and F timing signals, see [Internal Flywheel on page 25](#).

## 4.7 Parallel-To-Serial Conversion

The parallel data output of the internal data processing blocks is fed to the parallel-to-serial converter. The function of this block is to generate a serial data stream from the 10-bit or 20-bit parallel data words and pass the stream to the integrated cable driver.

## 4.8 Serial Digital Data PLL

To obtain a clean clock signal for serialization and transmission, the input PCLK is locked to an external reference signal via the GS1531's integrated phase-locked loop. This high quality analog PLL allows the GS1531 to significantly attenuate jitter on the incoming PCLK. This PLL is also responsible for generating all internal clock signals required by the device.

Internal division ratios for the locked PCLK are determined by the setting of the  $\overline{\text{SD/HD}}$  and  $\overline{\text{20bit/10bit}}$  pins as shown in [Table 4-10](#).

**Table 4-10: Serial Digital Output Rates**

Supplied PCLK Rate	Serial Digital Output Rate	Pin Settings	
		$\overline{\text{SD/HD}}$	$\overline{\text{20bit/10bit}}$
74.25 or 74.25/1.001 MHz	1.485 or 1.485/1.001Gb/s	LOW	HIGH
148.5 or 148.5/1.001MHz	1.485 or 1.485/1.001Gb/s	LOW	LOW
13.5MHz	270Mb/s	HIGH	HIGH
27MHz	270Mb/s	HIGH	LOW

### 4.8.1 External VCO

The GS1531 requires the GO1555/GO1525\* external voltage controlled oscillator as part of its internal PLL.

Power for the external VCO is generated entirely by the GS1531 from an integrated voltage regulator. The internal regulator uses +3.3V supplied on the CP\_VDD / CP\_GND pins to provide +2.5V on the VCO\_VCC / VCO\_GND pins.

The external VCO produces a 1.485GHz reference signal for the PLL, input on the VCO pin of the device. Both reference and control signals should be referenced to the supplied VCO\_GND as shown in the recommended application circuit of [Typical Application Circuit on page 46](#).

\*For new designs use GO1555

### 4.8.2 Lock Detect Output

The lock detect block controls the serial digital output signal and indicates the lock status of the device via the LOCKED output pin.

LOCKED will be asserted HIGH if and only if the internal data PLL has locked the PCLK signal to the external VCO reference signal and one of the following is true:

1. The device is set to operate in SMPTE mode and has detected SMPTE TRS words in the serial stream; or
2. The device is set to operate in DVB-ASI mode and has detected K28.5 sync characters in the serial stream; or

- The device is set to operate in Data-Through mode.

### 4.8.3 Loop Bandwidth Adjustment

For new designs the GO1555 is recommended for use with the GS1531. The recommended loop bandwidth control component values are listed in [Table 4-11](#) and can be seen in [Section 5.1 Typical Application Circuit](#).

Designs using the GO1525 VCO will require different loop bandwidth control components. The component values are listed in [Table 4-11](#).

**Table 4-11: GO1555 Loop Bandwidth Adjustment**

Component	GO1555	GO1525
LB_CONT	100nF	100nF
R <sub>LF-CP_CAP</sub>	33Ω	50Ω
CP_CAP	47nF	22nF

NOTE: When using the GS1531 with the GS4911B clock generator a narrower loop bandwidth for the GS1531 serializer should be used. For more details please refer to Section 2.5 of the GS4911B Reference Design.

## 4.9 Serial Digital Output

The GS1531 contains an integrated current mode differential serial digital cable driver with automatic slew rate control.

The integrated cable driver uses a separate power supply of +1.8V DC supplied via the CD\_VDD and CD\_GND pins.

To enable the output, SDO\_EN/DIS must be set HIGH. Setting the SDO\_EN/DIS signal LOW will cause the SDO and SDO output pins to become high impedance, resulting in reduced device power consumption.

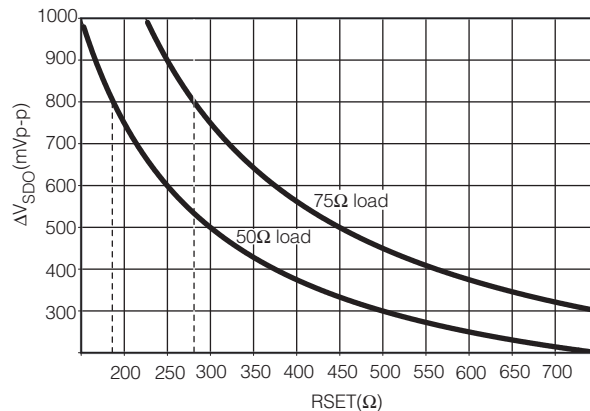
Genum recommends using the GS1528A SDI Dual Slew-Rate Cable Driver to meet SMPTE specifications.

### 4.9.1 Output Swing

Nominally, the voltage swing of the serial digital output is 800mVp-p single-ended into a 75Ω load. This is set externally by connecting the RSET pin to CD\_VDD through 281Ω.

The output swing may be decreased by increasing the value of the RSET resistor. The relationship is approximated by the curve shown in [Figure 4-4](#).

Alternatively, the serial digital output swing can drive 800mVp-p into a 50Ω load. Since the output swing is reduced by a factor of approximately one third when the smaller load is used, the RSET resistor must be 187Ω to obtain 800mVp-p.



**Figure 4-4: Serial Digital Output Swing**

### 4.9.2 Serial Digital Output Mute

The GS1531 will automatically mute the serial digital output when the LOCKED output signal is LOW. In this case, the SDO and SDO signals are set to a constant voltage level.

## 4.10 GSPI Host Interface

The GSPI, or Genum Serial Peripheral Interface, is a 4-wire interface provided to allow the host to enable additional features of the device and /or to provide additional status information through configuration registers in the GS1531.

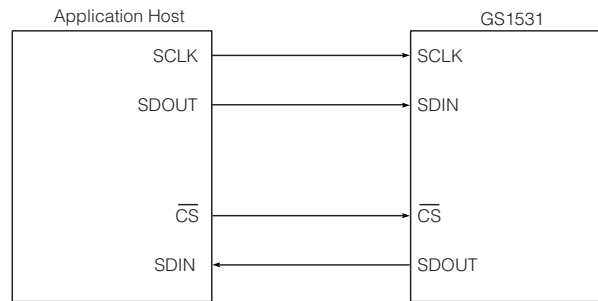
The GSPI comprises a serial data input signal SDIN, serial data output signal SDOOUT, an active low chip select  $\overline{CS}$ , and a burst clock SCLK. The burst clock must have a duty cycle between 40% and 60%.

Because these pins are shared with the JTAG interface port, an additional control signal pin JTAG/ $\overline{HOST}$  is provided. When JTAG/ $\overline{HOST}$  is LOW, the GSPI interface is enabled.

When operating in GSPI mode, the SCLK, SDIN, and  $\overline{CS}$  signals are provided by the host interface. The SDOOUT pin is a high-impedance output allowing multiple devices to be connected in parallel and selected via the  $\overline{CS}$  input. The interface is illustrated in the [Figure 4-5](#) below.

All read or write access to the GS1531 is initiated and terminated by the host processor. Each access always begins with a 16-bit command word on SDIN indicating the address of the register of interest. This is followed by a 16-bit data word on SDIN in write mode, or a 16-bit data word on SDOOUT in read mode.





**Figure 4-5: Gennum Serial Peripheral Interface (GSPPI)**

### 4.10.1 Command Word Description

The command word is transmitted MSB first and contains a read/write bit, nine reserved bits and a 6-bit register address. Set R/W = '1' to read and R/W = '0' to write from the GSPPI.

Command words are clocked into the GS1531 on the rising edge of the serial clock SCLK. The appropriate chip select signal,  $\overline{CS}$ , must be asserted low a minimum of 1.5ns ( $t_0$  in [Figure 4-8](#) and [Figure 4-9](#)) before the first clock edge to ensure proper operation.

Each command word must be followed by only one data word to ensure proper operation.



Figure 4-6: Command Word

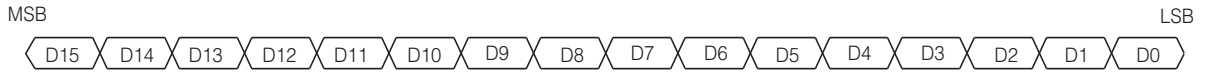


Figure 4-7: Data Word

### 4.10.2 Data Read and Write Timing

Read and write mode timing for the GSPI interface is shown in Figure 4-8 and Figure 4-9 respectively. The maximum SCLK frequency allowed is 6.6MHz.

When writing to the registers via the GSPI, the MSB of the data word may be presented to SDIN immediately following the falling edge of the LSB of the command word. All SDIN data is sampled on the rising edge of SCLK.

When reading from the registers via the GSPI, the MSB of the data word will be available on SDOU 12ns ( $t_5$ ) following the falling edge of the LSB of the command word, and thus may be read by the host on the very next rising edge of the clock. The remaining bits are clocked out by the GS1531 on the negative edges of SCLK.

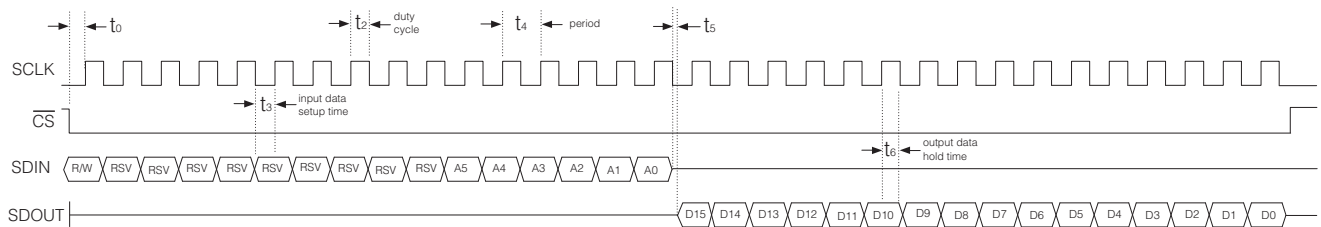


Figure 4-8: GSPI Read Mode Timing

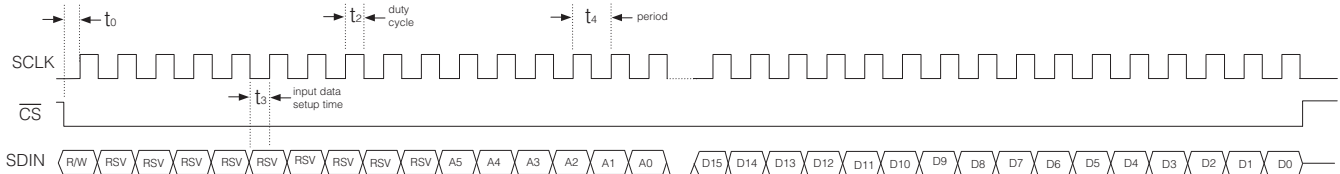


Figure 4-9: GSPI Write Mode Timing

### 4.10.3 Configuration and Status Registers

Table 4-12 summarizes the GS1531's internal status and configuration registers.

All of these registers are available to the host via the GSPI and are all individually addressable.

Where status registers contain less than the full 16 bits of information however, two or more registers may be combined at a single logical address.

**Table 4-12: GS1531 Internal Registers**

Address	Register Name	See Section
000h	IOPROC_DISABLE	<a href="#">Section 4.6.3</a>
002h	EDH_FLAG	<a href="#">Section 4.6.3.3</a>
004h	VIDEO_STANDARD	<a href="#">Section 4.6.2</a>
00Ah - 00Bh	VIDEO_FORMAT	<a href="#">Section 4.6.3.1</a>
00Eh - 011h	RASTER_STRUCTURE	<a href="#">Section 4.6.2</a>
012h - 019h	EDH_CALC_RANGES	<a href="#">Section 4.6.3.3</a>
01Bh - 01Ch	LINE_352M	<a href="#">Section 4.6.3.1</a>

## 4.11 JTAG

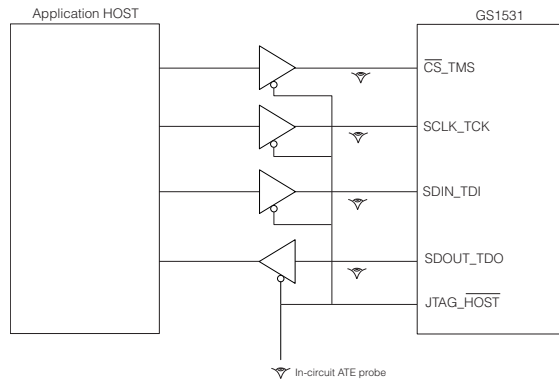
When the JTAG/ $\overline{\text{HOST}}$  input pin of the GS1531 is set HIGH, the host interface port will be configured for JTAG test operation. In this mode, pins H4 to H6 and J6 become TMS, TCK, TDO, and TDI. In addition, the  $\overline{\text{RESET\_TRST}}$  pin will operate as the test reset pin.

Boundary scan testing using the JTAG interface will be enabled in this mode.

There are two methods in which JTAG can be used on the GS1531:

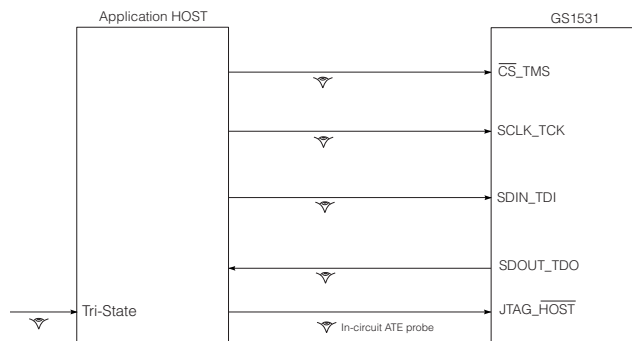
1. As a stand-alone JTAG interface to be used at in-circuit ATE (Automatic Test Equipment) during PCB assembly; or
2. Under control of the host for applications such as system power on self tests.

When the JTAG tests are applied by ATE, care must be taken to disable any other devices driving the digital I/O pins. If the tests are to be applied only at ATE, this can be accomplished with tri-state buffers used in conjunction with the JTAG/ $\overline{\text{HOST}}$  input signal. This is shown in [Figure 4-10](#).



**Figure 4-10: In-Circuit JTAG**

Alternatively, if the test capabilities are to be used in the system, the host may still control the JTAG/HOST input signal, but some means for tri-stating the host must exist in order to use the interface at ATE. This is represented in [Figure 4-11](#).



**Figure 4-11: System JTAG**

Please contact your Gennum representative to obtain the BSDL model for the GS1531.

## 4.12 Device Power Up

The GS1531 has a recommended power supply sequence. To ensure correct power up, power the CORE\_VDD pins before the IO\_VDD pins.

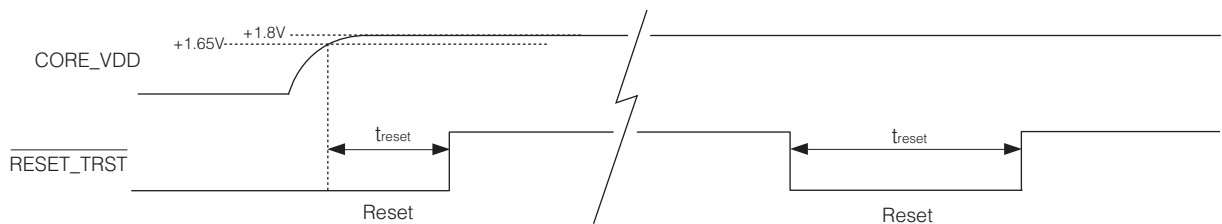
Device pins may also be driven prior to power up without causing damage.

To ensure that all internal registers are cleared upon power-up, the  $\overline{\text{RESET\_TRST}}$  signal must be held LOW for a minimum of 1ms after the core power supply has reached the minimum level specified in the DC Electrical Characteristics Table, [Table 2-1](#). See [Figure 4-12](#).

## 4.13 Device Reset

In order to initialize all internal operating conditions to their default states the  $\overline{\text{RESET\_TRST}}$  signal must be held LOW for a minimum of  $t_{\text{reset}} = 1\text{ms}$ .

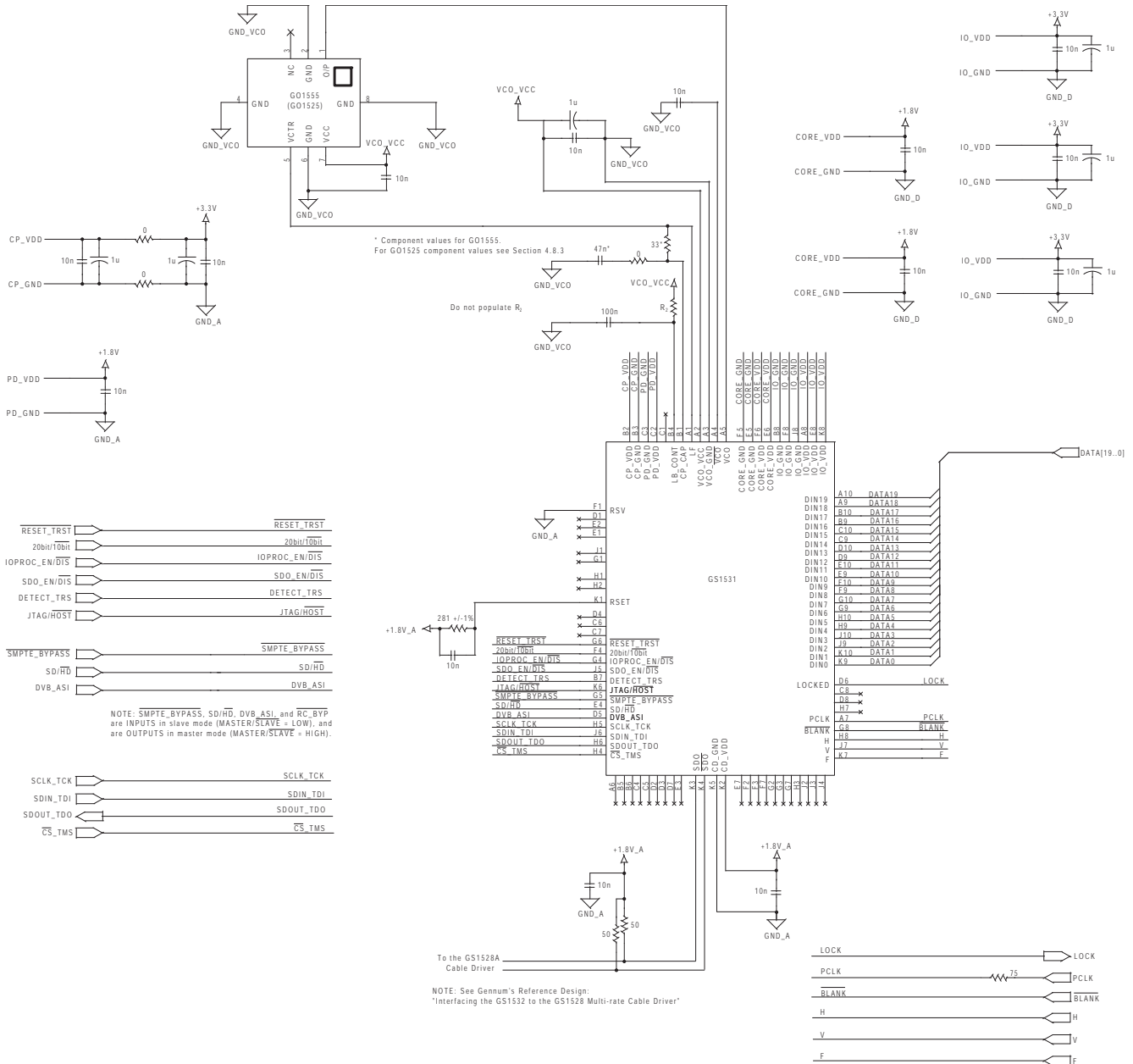
When held in reset, all device outputs will be driven to a high-impedance state.



**Figure 4-12: Reset Pulse**

# 5. Application Reference Design

## 5.1 Typical Application Circuit

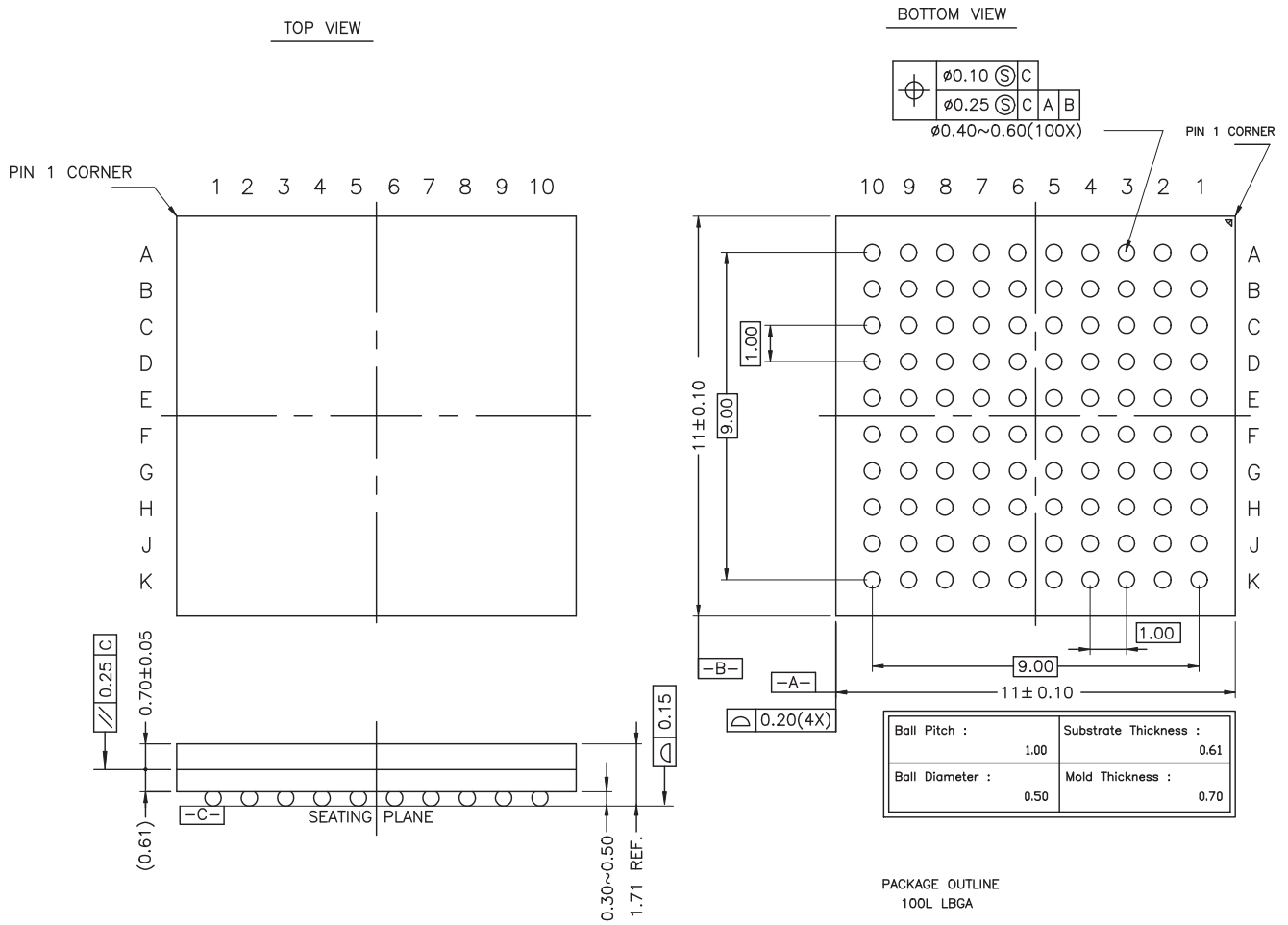


## 6. References & Relevant Standards

SMPTE 125M	Component video signal 4:2:2 – bit parallel interface
SMPTE 260M	1125 / 60 high definition production system – digital representation and bit parallel interface
SMPTE 267M	Bit parallel digital interface – component video signal 4:2:2 16 x 9 aspect ratio
SMPTE 274M	1920 x 1080 scanning analog and parallel digital interfaces for multiple picture rates
SMPTE 291M	Ancillary Data Packet and Space Formatting
SMPTE 292M	Bit-Serial Digital Interface for High-Definition Television Systems
SMPTE 293M	720 x 483 active line at 59.94 Hz progressive scan production – digital representation
SMPTE 296M	1280 x 720 scanning, analog and digital representation and analog interface
SMPTE 352M	Video Payload Identification for Digital Television Interfaces
SMPTE RP165	Error Detection Checkwords and Status Flags for Use in Bit-Serial Digital Interfaces for Television
SMPTE RP168	Definition of Vertical Interval Switching Point for Synchronous Video Switching

# 7. Package & Ordering Information

## 7.1 Package Dimensions



\* THE BALL DIAMETER, BALL PITCH, STAND-OFF & PACKAGE THICKNESS ARE DIFFERENT FROM JEDEC SPEC M0192 (LOW PROFILE BGA FAMILY)



## 7.2 Packaging Data

Parameter	Value
Package Type	11mm x 11mm 100-ball LBGA
Package Drawing Reference	JEDEC M0192
Moisture Saturation Level	3
Junction to Case Thermal Resistance, $\theta_{j-c}$	10.4°C/W
Junction to Air Thermal Resistance, $\theta_{j-a}$ (at zero airflow)	37.1°C/W
Psi	0.4°C/W
Pb-free and RoHS compliant (GS1531-CBE2 only)	Yes

## 7.3 Ordering Information

Part Number	Package	Pb-free and RoHS Compliant	Temperature Range
GS1531-CBE2	100-ball BGA	Yes	0°C to 70°C
GS1531-CB	100-ball BGA	No	0°C to 70°C

## 8. Revision History

Version	ECR	PCN	Date	Changes and / or Modifications
1	134904	–	November 2004	Changed interfacing resistor values between GS1531 and GS1528A on Typical Application Circuit. Added note for PCLK Jitter Tolerance.
2	136174	–	March 2005	Update SCLK to show as a burst clock. Remove “Green” references.
3	136663	–	May 2005	Updated the status of the VD_STD[4:0] and STD_LOCK and INT_PROG bits following a device reset or the removal of the input PCLK. Changed the GSPI Input Data Hold Time to a minimum instead of a maximum.
4	136981	–	July 2005	Added note on 59.94Hz and 60Hz formats to <a href="#">Table 4-4 on page 29</a> . Corrected PCLK to Data Timing ( <a href="#">Figure 4-1 on page 23</a> ). Changed note on ESD protection in <a href="#">Absolute Maximum Ratings on page 13</a> . Corrected setup time and hold time labels in <a href="#">Table 2-2 on page 14</a> and <a href="#">Figure 4-1 on page 23</a> . Converted to Data Sheet.
5	141995	41245	October 2006	Modified internal register addresses to hexadecimal values in <a href="#">Table 4-12</a> . Specified that serializer can reject >300ps pclk jitter in Description section on <a href="#">page 1</a> . Corrected IO_PROG pin setting typing error in <a href="#">Section 4.6.2.1</a> . Corrected VIDEO_FORMAT register labels in description of bit 6 (352M_INS) in <a href="#">Table 4-5</a> .
6	143759	42774	February 2007	Recommended GO1555 VCO for new designs. Updated <a href="#">Section 5.1 Typical Application Circuit</a> . Added <a href="#">Section 4.8.3 Loop Bandwidth Adjustment</a> .
7	148907	–	February 2008	Changed register RASTER_STRUCTURE2 from 12 bits to 13 bits in <a href="#">Table 4-3: Host Interface Description for Raster Structure Registers</a> . Changes related to DVB-ASI mode in <a href="#">Pin Descriptions</a> , <a href="#">Section 4.2.2</a> , <a href="#">Section 4.2.4</a> , <a href="#">Table 4-1</a> & <a href="#">Section 4.4</a> . Changed SMPTE 352 Lines from 13 to 10 in <a href="#">Table 4-4</a> .

### CAUTION

ELECTROSTATIC SENSITIVE DEVICES  
DO NOT OPEN PACKAGES OR HANDLE  
EXCEPT AT A STATIC-FREE WORKSTATION



### DOCUMENT IDENTIFICATION

#### DATA SHEET

The product is in production. Gennum reserves the right to make changes at any time to improve reliability, function or design, in order to provide the best product possible.

### GENNUM CORPORATION

Mailing Address: P.O. Box 489, Stn. A, Burlington, Ontario, Canada L7R 3Y3  
Shipping Address: 970 Fraser Drive, Burlington, Ontario, Canada L7L 5P5  
Tel. +1 (905) 632-2996 Fax. +1 (905) 632-5946

### GENNUM JAPAN CORPORATION

Shinjuku Green Tower Building 27F, 6-14-1, Nishi Shinjuku, Shinjuku-ku, Tokyo, 160-0023 Japan  
Tel. +81 (03) 3349-5501, Fax. +81 (03) 3349-5505

### GENNUM UK LIMITED

25 Long Garden Walk, Farnham, Surrey, England GU9 7HX  
Tel. +44 (0)1252 747 000 Fax +44 (0)1252 726 523

Gennum Corporation assumes no liability for any errors or omissions in this document, or for the use of the circuits or devices described herein. The sale of the circuit or device described herein does not imply any patent license, and Gennum makes no representation that the circuit or device is free from patent infringement.

GENNUM and the G logo are registered trademarks of Gennum Corporation.

© Copyright 2004 Gennum Corporation. All rights reserved. Printed in Canada.

[www.gennum.com](http://www.gennum.com)