

Key Features

- Generates 1.485GHz or 1.485/1.001GHz signal for Gennum ICs
- Low power — 20mW less than GO1525
- 50Ω output impedance
- Operates from a single 2.5V supply
- 8 pin tape on reel
- Pb-free and RoHS Compliant

Applications

Other Products:

- GS4915 ClockCleaner™

Deserializers:

- GS1559, GS1560A, GS1561, GS9060

Serializers:

- GS1531, GS1532, GS9062

Description

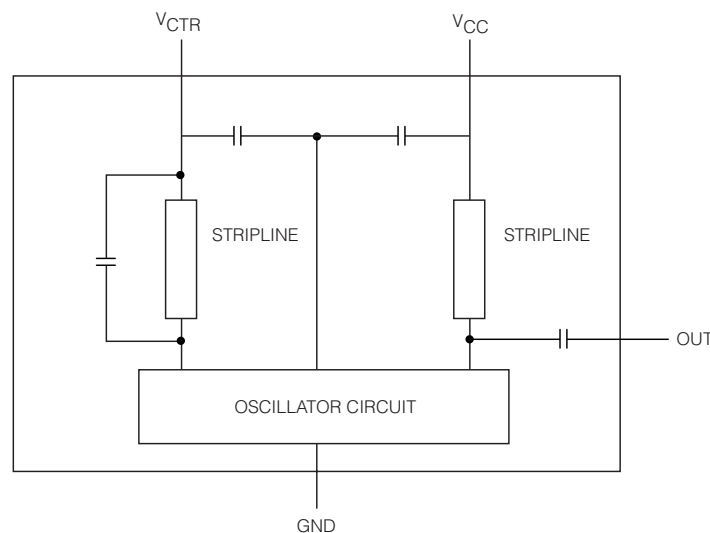
The GO1555 is a self contained, miniature Voltage Controlled Oscillator (VCO). It produces a clean 1.485GHz reference clock signal with low spurious noise content. It is designed to drive 50Ω strip lines.

The VCO requires a single 2.5V supply and draws a maximum of 8mA of current. It is packaged in a miniature 8-pin proprietary surface mount package and operates over the temperature range of -40°C to +85°C.

The GO1555 can be used in place of the older GO1525 VCO. Compared to the GO1525, the GO1555 saves space, consumes less power and achieves better jitter performance.

Note: Optimal performance of the GO1555 is achieved using slightly different loop bandwidth component values than those used with the GO1525.

This component and all homogeneous subcomponents are RoHS compliant.



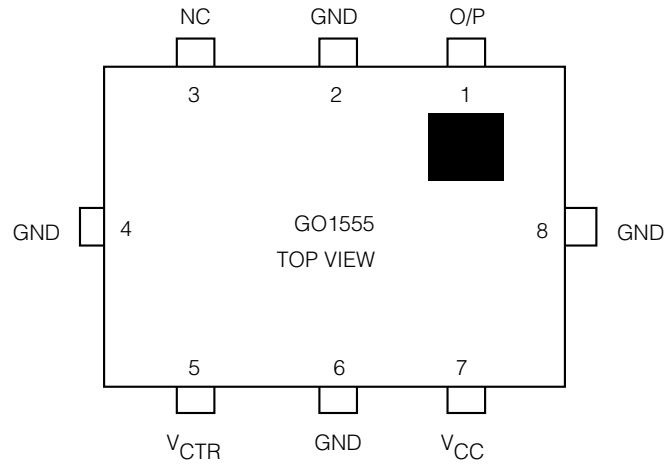
GO1555 Functional Block Diagram

Contents

Key Features	1
Applications	1
Description	1
1. Pin Out	3
1.1 Pin Assignment	3
1.2 Pin Descriptions	3
2. Electrical Characteristics	4
3. Soldering Recommendations	5
3.1 Reflow Conditions	6
3.2 Soldering Flux	6
3.3 Rework or Repair	6
3.4 Endurance To Warp	6
4. Handling Recommendations	7
4.1 Cleaning	7
4.2 Storage	7
4.3 Transport	7
4.4 ESD Warning	7
5. Package & Ordering Information	8
5.1 Package Dimensions	8
5.2 Packaging Data	8
5.3 Tape and Reel Specification	9
5.4 PCB Footprint	11
5.5 Marking Diagram	11
5.6 Ordering Information	11
6. Revision History	12

1. Pin Out

1.1 Pin Assignment



NOTE: Pin numbers are arbitrary
There are no pin markings on the device itself

1.2 Pin Descriptions

Table 1-1: Pin Descriptions

Pin Number	Name	Type	Description
2, 4, 6, 8	GND	Power	Most negative power supply connections.
5	V_{CTR}	Input	Control voltage for the VCO.
7	V_{CC}	Power	Most positive power supply connection.
1	O/P	Output	VCO signal output.
3	NC	–	No connection.

2. Electrical Characteristics

Table 2-1: Electrical Characteristics

$V_{CC} = 2.5V \pm 0.25V$, Temperature = $-40^{\circ}C$ to $+85^{\circ}C$, unless otherwise shown

Parameter	Symbol	Conditions	Min	Typ	Max	Units	Notes
Supply Voltage	V_{CC}	–	2.25	2.5	2.75	V	–
Supply Current	I_S	–	–	–	8	mA	–
Control Voltage Range	V_{CTR}	–	1.0	1.25	1.5	V	–
Control Voltage Sensitivity	df/dV	$V_{CTR} = 1.0V - 1.5V$	35.5	–	48.5	MHz/V	–
Operating Frequency Range	f_{VCO}	$V_{CTR} = 1.0V$	–	–	1483.5	MHz	–
		$V_{CTR} = 1.5V$	1485.0	–	–	MHz	–
Output Signal Level	V_{OUT}	–	-10.5	–	-3	dBm	–
Pushing Figure	–	$V_{CC} = 2.5V \pm 0.25V$, ref: $V_{CC} = 2.5V$	-1.5	–	+1.5	MHz	–
Pulling Figure	–	VSWR = 2.0 for all phase, ref: 50Ω	-3	–	+3	MHz	–
Temperature Stability	T_{COEF}	$-40^{\circ}C$ to $+85^{\circ}C$, ref. = $25^{\circ}C$	-3	–	4	MHz	–
Spurious Response	–	–	–	–	-10	dBc	–
Output Impedance	Z_O	–	–	50	–	Ω	–

3. Soldering Recommendations

The device is manufactured with Matte-Sn terminations and is compatible with both standard eutectic and Pb-free solder reflow profiles. The recommended standard eutectic reflow profile is shown in Figure 3-1. The maximum recommended Pb-free reflow profile is shown in Figure 3-2.

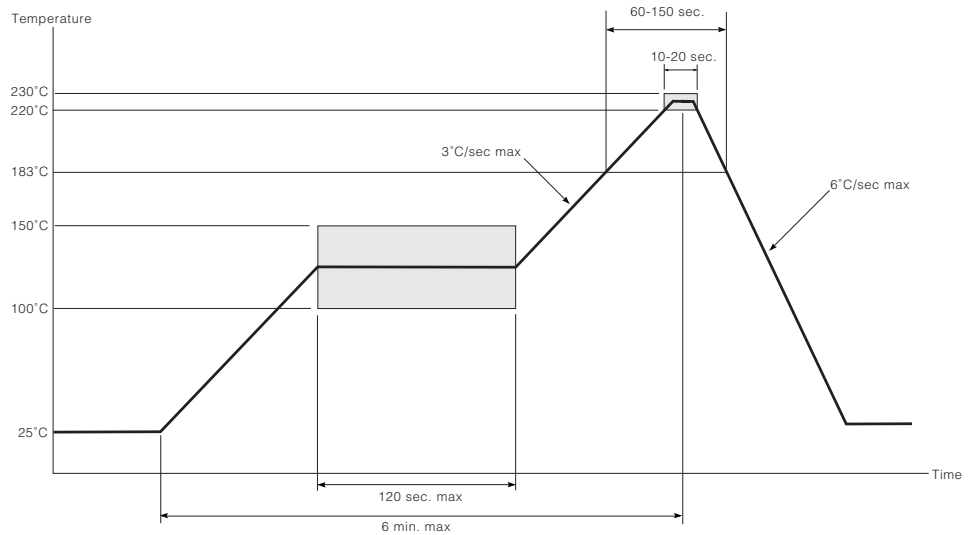


Figure 3-1: Standard Eutectic Solder Reflow Profile

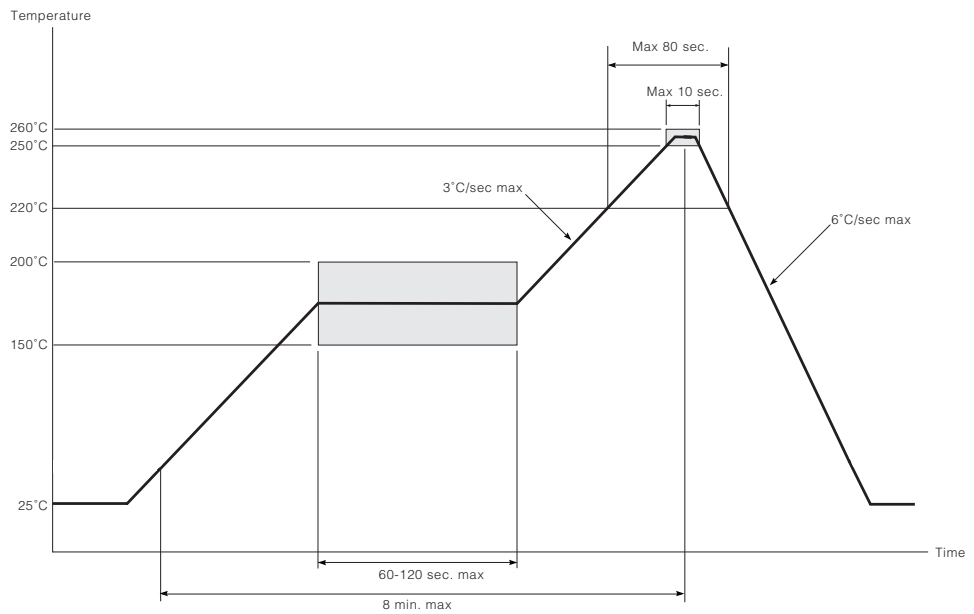


Figure 3-2: Maximum Pb-free Solder Reflow Profile (Preferred)

3.1 Reflow Conditions

The device will meet the data sheet specifications after completing the reflow process according to the profile shown in [Figure 3-1](#) or [Figure 3-2](#). Recommended soldering conditions are as follows:

Preheating	150±10°C, 60 to 120 sec.
Soldering	Peak 260°C
	Over 220°C within 80 sec.

3.2 Soldering Flux

Do not use cleaning type flux. Washing the devices after using cleaning type flux may damage inner parts and affect performance.

3.3 Rework or Repair

Rework or repair must only be done once. Do not reflow the device more than twice; once for initial soldering and once for remounting after rework.

Do not vibrate the VCO during reflow soldering.

3.4 Endurance To Warp

When the device is soldered on a printed circuit board (dimension: 100mm x 100mm; thickness: 1.6mm) and the PCB is warped as shown in [Figure 3-3](#), the device will not be cracked or damaged.

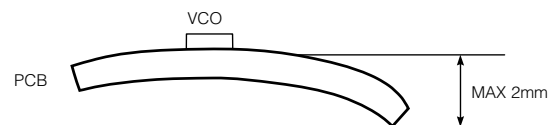


Figure 3-3: PCB Warp

4. Handling Recommendations

4.1 Cleaning

There are two options for cleaning the devices.

Option 1:

1. Clean but do not use solvent cleaners.
2. Thoroughly dry assemblies afterwards.

Option 2:

1. Mount device after board is cleaned.

4.2 Storage

Store the devices out of direct sunlight, at a stable temperature and humidity. Avoid extreme temperatures, high humidity and wide temperature fluctuations. Condensation on the devices may result in reduced quality and lowered solderability.

Avoid dust, sea breezes and corrosive gases (Cl_2 , NH_3 , SO_2 , NO_x , etc.).

Use within 6 months after delivery. If the devices are stored for more than one year, solderability may be degraded.

4.3 Transport

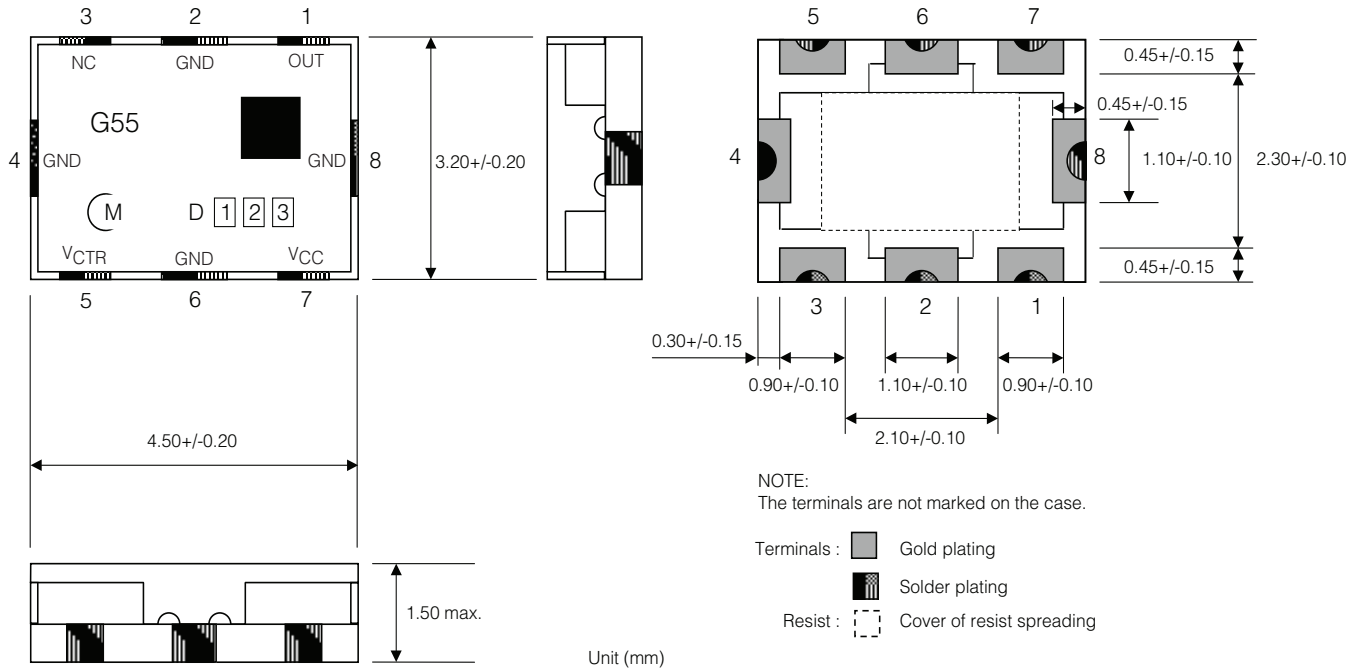
Package the devices for transportation to avoid mechanical vibration or shock.

4.4 ESD Warning

Avoid poor ground connections and electrostatic discharge or induction in production.

5. Package & Ordering Information

5.1 Package Dimensions



5.2 Packaging Data

Parameter	Value
Package Type	8L Proprietary Surface Mount
Package Drawing Reference	40567 rev.0
Pb-free and RoHS Compliant	Yes

5.3 Tape and Reel Specification

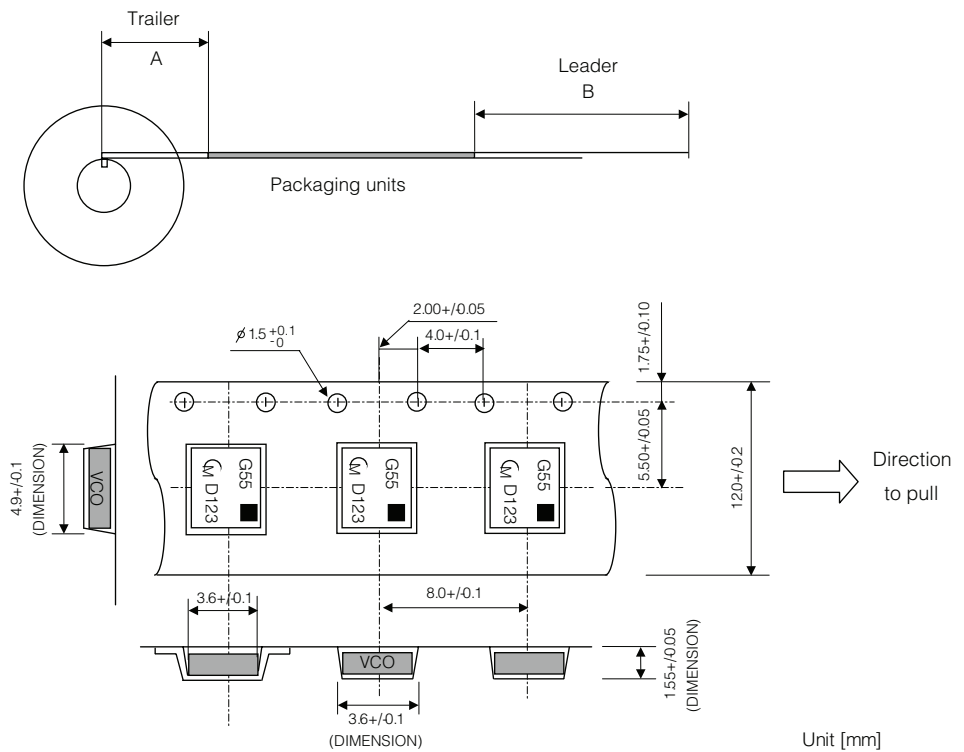
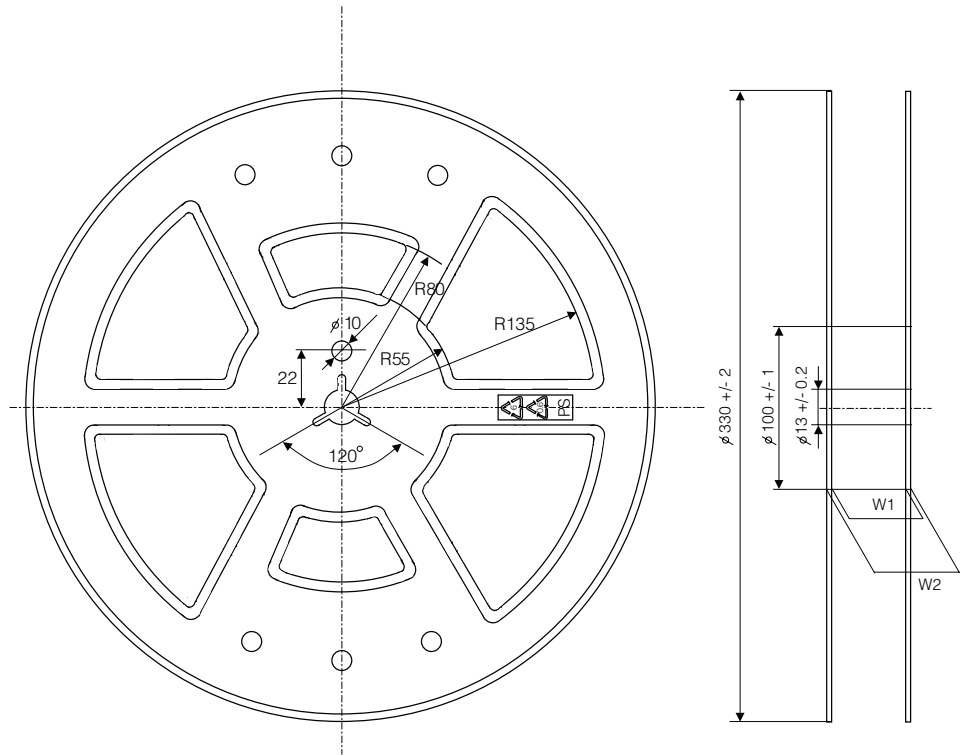


Figure 5-1: Tape Specification

The dimensions of A (trailer of tape) include the one inserted in the reel core.

Table 5-1: Tape Dimensions

Trailer	A	Empty cavities	$\geq 40\text{mm}$
Leader	B	Empty cavities, Cover tape leader	$\geq 400\text{mm}$
Packaging Units	3000pcs		
Partial absence in carrier tape	More than two successive empty cavities will not occur.		
Minimum order quantity	3000pcs / Reel		

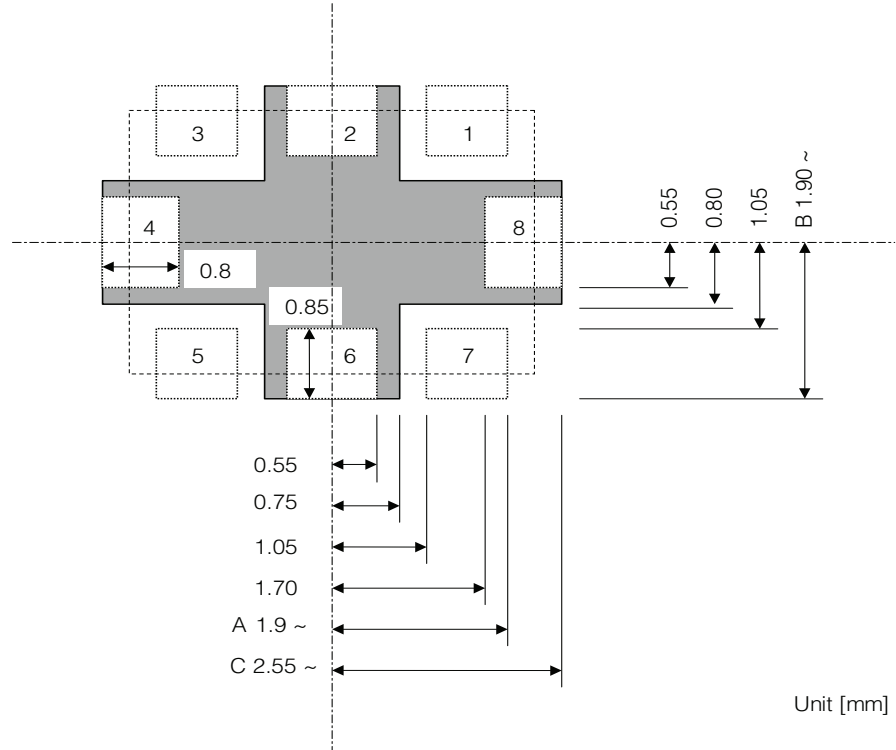


Reel Internal : W1 13.5 +/- 0.5
 Reel External : W2 17.5 +/- 1.0
 Unit : mm

Figure 5-2: Reel Specification

5.4 PCB Footprint

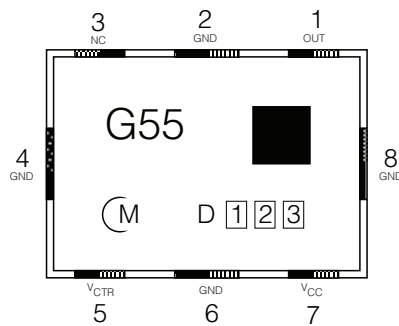
Recommended Footprint for PCB Layout



NOTE:

Please make the GND pattern under the VCO and coat the painted part with solder resist.
Please decide the dimensions of A, B and C as per the mounting accuracy of the chip mounter.

5.5 Marking Diagram



Date Code

1 : Last digit of the year
2,3: Week No.

5.6 Ordering Information

Part Number	Package	Pb-free	Temperature Range
GO1555-IXTE3	8-pin tape on reel	Yes	-40°C to +85°C

6. Revision History

Version	ECR	PCN	Date	Changes/Modification
0	141912	–	September 2006	New Document.
1	142967	–	November 2006	Converting to Data Sheet. Added section 5.3 Tape and Reel Specification . Modified minimum output signal level to -10.5dBm in Electrical Characteristics .

CAUTION

ELECTROSTATIC SENSITIVE DEVICES
DO NOT OPEN PACKAGES OR HANDLE
EXCEPT AT A STATIC-FREE WORKSTATION



DOCUMENT IDENTIFICATION

DATA SHEET

The product is in production. Gennum reserves the right to make changes to the product at any time without notice to improve reliability, function or design, in order to provide the best product possible.

GENNUM CORPORATION

Mailing Address: P.O. Box 489, Stn. A, Burlington, Ontario, Canada L7R 3Y3
Shipping Address: 970 Fraser Drive, Burlington, Ontario, Canada L7L 5P5
Tel. +1 (905) 632-2996 Fax. +1 (905) 632-5946

GENNUM JAPAN CORPORATION

Shinjuku Green Tower Building 27F, 6-14-1, Nishi Shinjuku, Shinjuku-ku, Tokyo, 160-0023 Japan
Tel. +81 (03) 3349-5501, Fax. +81 (03) 3349-5505

GENNUM UK LIMITED

25 Long Garden Walk, Farnham, Surrey, England GU9 7HX
Tel. +44 (0)1252 747 000 Fax +44 (0)1252 726 523

Gennum Corporation assumes no liability for any errors or omissions in this document, or for the use of the circuits or devices described herein. The sale of the circuit or device described herein does not imply any patent license, and Gennum makes no representation that the circuit or device is free from patent infringement.

GENNUM and the G logo are registered trademarks of Gennum Corporation.

© Copyright September 2006 Gennum Corporation. All rights reserved. Printed in Canada.

www.gennum.com