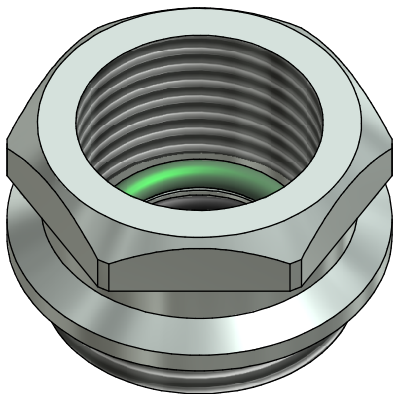
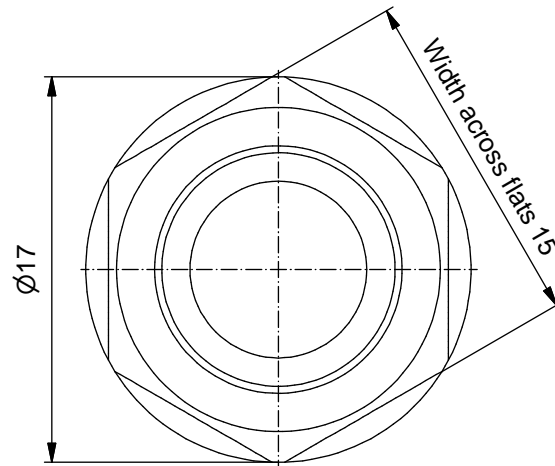
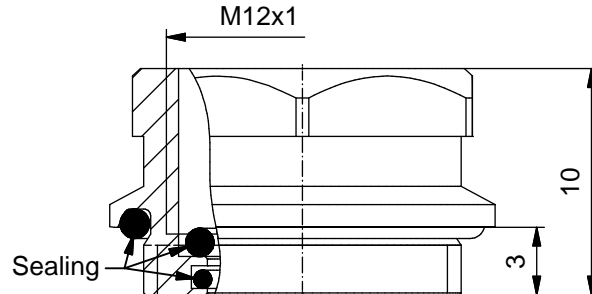
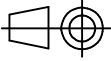



**Materials:**

Material housing: CuZn  
 Plating housing: Nickel gal.  
 Sealing: FKM



DO NOT ALTER CAD DRAWING BY HAND Directive 2002/95/EC RoHS compliant	 dim. in mm		title: <b>Housing female M14x1                  H9</b>						
		<table border="1"> <tr> <th>date</th> <th>name</th> </tr> <tr> <td>drawn 24.01.13</td> <td>Kniesburges</td> </tr> <tr> <td>appd. 24.01.13</td> <td>Mankopf</td> </tr> </table>		date	name	drawn 24.01.13	Kniesburges	appd. 24.01.13	Mankopf
	date	name							
	drawn 24.01.13	Kniesburges							
appd. 24.01.13	Mankopf								
general tolerance: <table border="1"> <tr> <td>0</td> <td>± 0,50mm</td> </tr> <tr> <td>0,0</td> <td>± 0,25mm</td> </tr> <tr> <td>0,00</td> <td>± 0,10mm</td> </tr> </table>	0	± 0,50mm	0,0	± 0,25mm	0,00	± 0,10mm			
0	± 0,50mm								
0,0	± 0,25mm								
0,00	± 0,10mm								
THIS DRAWING MAY NOT BE COPIED OR REPRODUCED IN ANY WAY, AND MAY NOT BE PASSED ON TO A THIRD PARTY WITHOUT WRITTEN PERMISSION. OWNERSHIP AND COPYRIGHT OF CONEC GmbH			part no: <b>43-02129</b>						