



**TIP & TOOL STAND KITS
INSTALLATION INSTRUCTIONS
MANUAL NUMBER 5050-0357 REV. G**

The following instructions provide the user with the information necessary to install any of the PACE Tip & Tool Stand Kits. PACE Tip & Tool Stands may be installed in any of the following configurations:

Free Standing

The Tip & Tool Stand may be used as a freestanding unit and placed in any location adjacent to the PACE power source.

Stand/Stand Mounting

Tip & Tool Stands may be attached together by simply placing the 2 stands beside each other, inserting the 2 Mounting Screws through matching mounting holes in the stands and securing with the 2 Thumb Nuts.

Power Sources With Plastic Cases

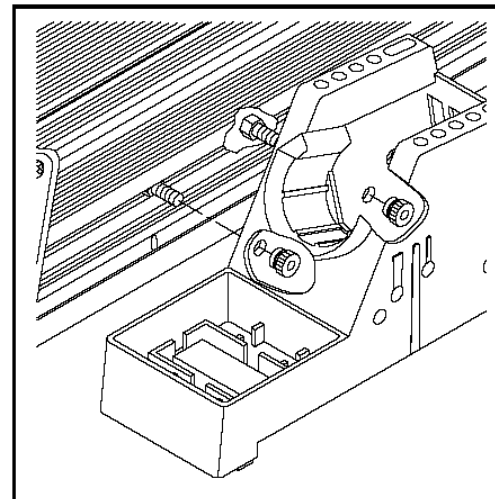
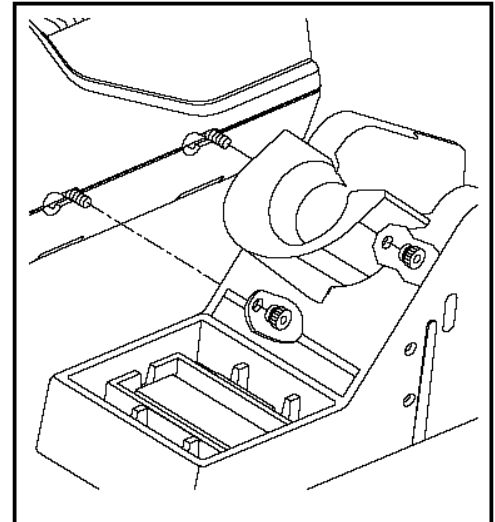
Attach the stand to the power source, using the following procedure.

1. Insert the 2 Mounting Screws (head first) into the 2 power source mounting slots shown. Slide the screws toward rear of power source.
2. Place the Tip & Tool Stand beside the power source. Insert ends of the 2 Mounting Screws into the 2 adjacent Tip & Tool Stand mounting holes. All other mounting holes will not be used.
3. Install a Thumb Nut onto the end of each Mounting Screw. Tighten Thumb Nuts to secure the Tip & Tool Stand in position. You may wish to set the Power Source on its side and remove the drip tray to ease installation of the Thumb Nuts.

Power Sources With Metal Cases

Attach the stand to the power source, using the following procedure. Refer to illustration.

1. Insert the 2 enclosed hex head Mounting Screws into the slot on the side of the Power Source. Some kits may contain 4 mounting screws; 2 with small heads and 2 with large heads. Use the 2 screws that fit properly in the slot. Also, some Power Source cases have more than 1 slot; use the lower slot.
2. Position the Mounting Screws to the rear of the power source and spaced approximately 2 inches apart. Refer to illustration.
3. Place the Tip & Tool Stand beside the power source. Insert ends of the 2 Mounting Screws into the 2 adjacent Tip & Tool Stand mounting holes.
4. Install a Thumb Nut onto the end of each Mounting Screw. Tighten Thumb Nuts to secure the Tip & Tool Stand in position. You may wish to set the Power Source on its side and remove the drip tray to ease installation of the Thumb Nuts.

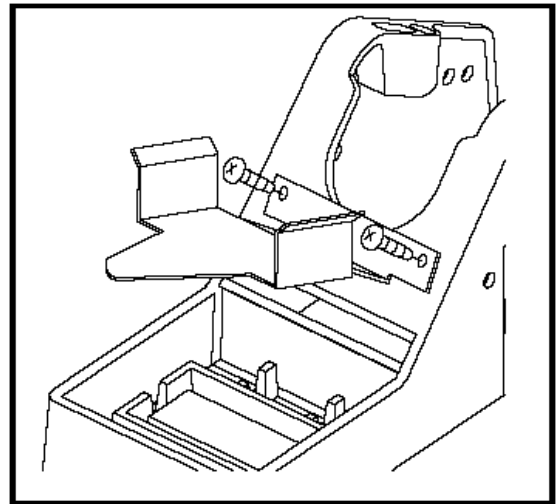


ThermoTweez Bracket

If you have a DTP or TT Tip & Tool Stand (for Dual ThermoPik or ThermoTweez handpiece), a bracket and mounting hardware have been enclosed. Position the Bracket onto the Tip & Tool Stand as shown. Secure in position using the two mounting screws supplied.

NOTE

Some Tip & Tool Stands are shipped with the Bracket already installed.



PACE Incorporated retains the right to make changes to specifications contained herein at any time, without notice. Contact your local authorized PACE Distributor or PACE Incorporated to obtain the latest specifications.

The following are trademarks and/or service marks of PACE, Incorporated, MD, USA:

INSTACAL™, FUMEFLO™, HEATWISE™, PACEWORLDWIDE™, PERMAGROUND™, POWERPORT™, POWERMODULE™, TEMPWISE™, TIP-BRITE™, AUTO-OFF™, and TEKLINK™.

The following are registered trademarks and/or service marks of PACE Incorporated, Annapolis Junction Maryland U.S.A.

ARM-EVAC®, FLO-D-SODR®, MINIWAVE®, PACE®, SENSATEMP®, SNAP-VAC®, SODRTEK®, SODR-X-TRACTOR®, ST 325®, THERMOJET®, THERMOTWEEZ®, VISIFILTER®, THERMO-DRIVE®, and TOOLNET®.

PACE products meet or exceed all applicable military and civilian EOS/ESD, temperature stability and other specifications including MIL STD 2000, ANSI/JSTD 001, IPC7711, and IPC A-610.

Additional copies of this manual or other PACE literature may be obtained from:



PACE Incorporated
9030 Junction Drive
Annapolis Junction,
MD 20701
Tel: (301) 490-9860
Fax: (301) 498-3252

PACE Europe Limited
13 Tanners Drive
Blakelands
Milton Keynes
Tel: (44) 1908-277666
Fax: (44) 1908-277777