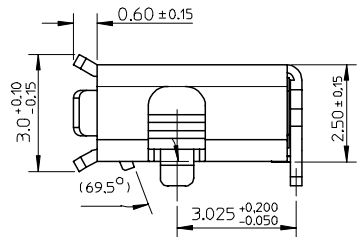
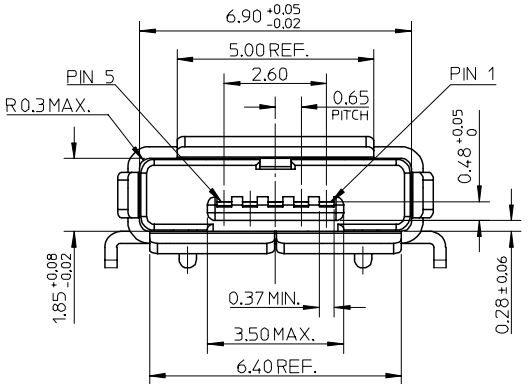
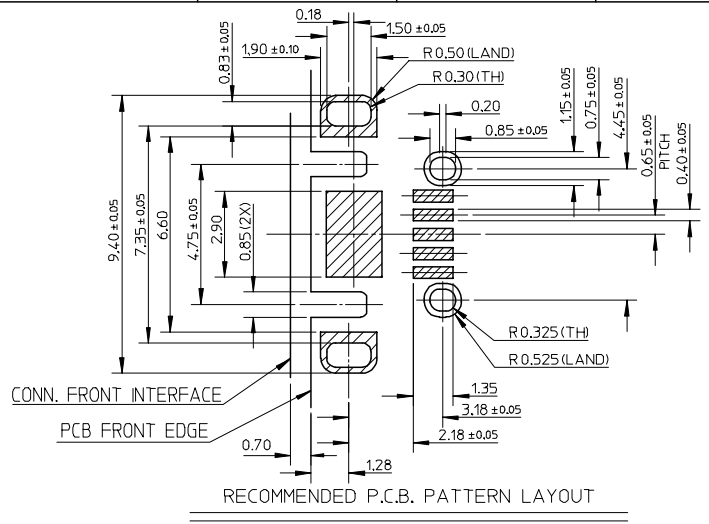
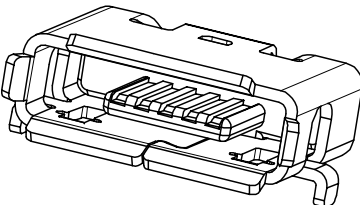
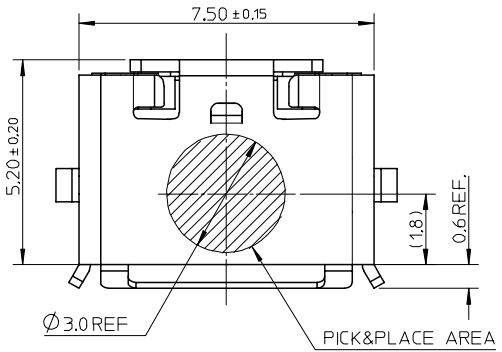
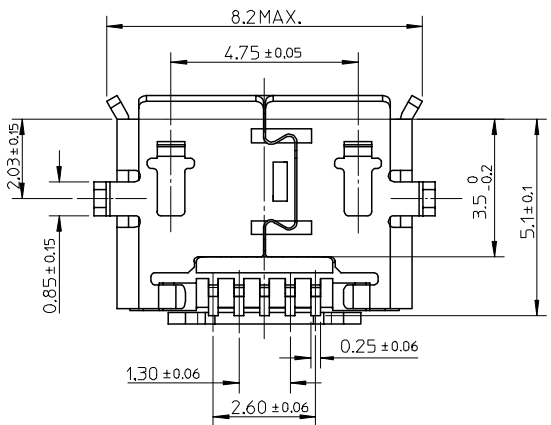
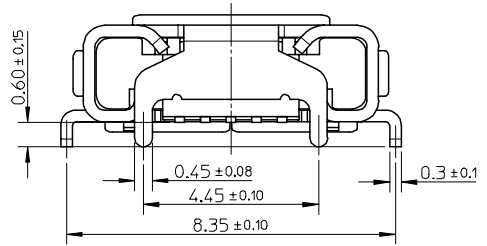


10 9 8 7 6 5 4 3 2 1



NOTE :

- MATERIAL :  
HOUSING : LCP,BLACK,UL94V-0  
TERMINAL : COPPER ALLOY THICKNESS = 0.15 MM  
SHIELD CASE : STAINLESS STEEL THICKNESS = 0.30 MM
- PLATING :  
TERMINAL: CONTACT AREA : GOLD FLASH (0.11 MICRON MIN.) OVER MINIMUM 0.75 MICRON Pd/Ni.  
SOLDER TAIL AREA : GOLD FLASH (0.05 MICRON MIN.),  
UNDER PLATING : NICKEL 2.0 MICROMN MINIMUM.  
SHIELD : MATTE TIN 1.27 MICRON MINIMUM.  
UNDER PLATING : NICKEL 1.27 MICRON MINIMUM.
- TAIL COPLANARITY 0.08 MM MAXIMUM.
- COMPLIANT TO RoHS DIRECTIVE 2002/95/EC AND ELV IDRECTIVE 2000/53/EC.



NEW RELEASE EC NO: SH2008-0069 DRWN:XJSONG CHKD:JTIAN APPR:HWANG	DESCRIPTION REV	QUALITY SYMBOLS =0 =0	GENERAL TOLERANCES (UNLESS SPECIFIED)	DIMENSION STYLE MM ONLY	SCALE 1:1	DESIGN UNITS METRIC	THIRD ANGLE PROJECTION	
			mm INCH	DRAWN BY XJSONG	DATE 2007/03/15	TITLE MICRO USB AB REC. TOP MOUNT ASS'Y		
			4 PLACES ± --- ± --- 3 PLACES ± --- ± --- 2 PLACES ± 0.15 ± --- 1 PLACE ± 0.25 ± ---	APPROVED BY JNCHEN	DATE 2007/03/15	MATERIAL NO. 47590-0001	DOCUMENT NO. SD-47590-001	SHEET NO. 1 OF 1
			ANGULAR ± 3 °	MOLEX INCORPORATED				
DRAFT WHERE APPLICABLE MUST REMAIN WITHIN DIMENSIONS			THIS DRAWING CONTAINS INFORMATION THAT IS PROPRIETARY TO MOLEX INCORPORATED AND SHOULD NOT BE USED WITHOUT WRITTEN PERMISSION					

9 8 7 6 5 4 3 2 1