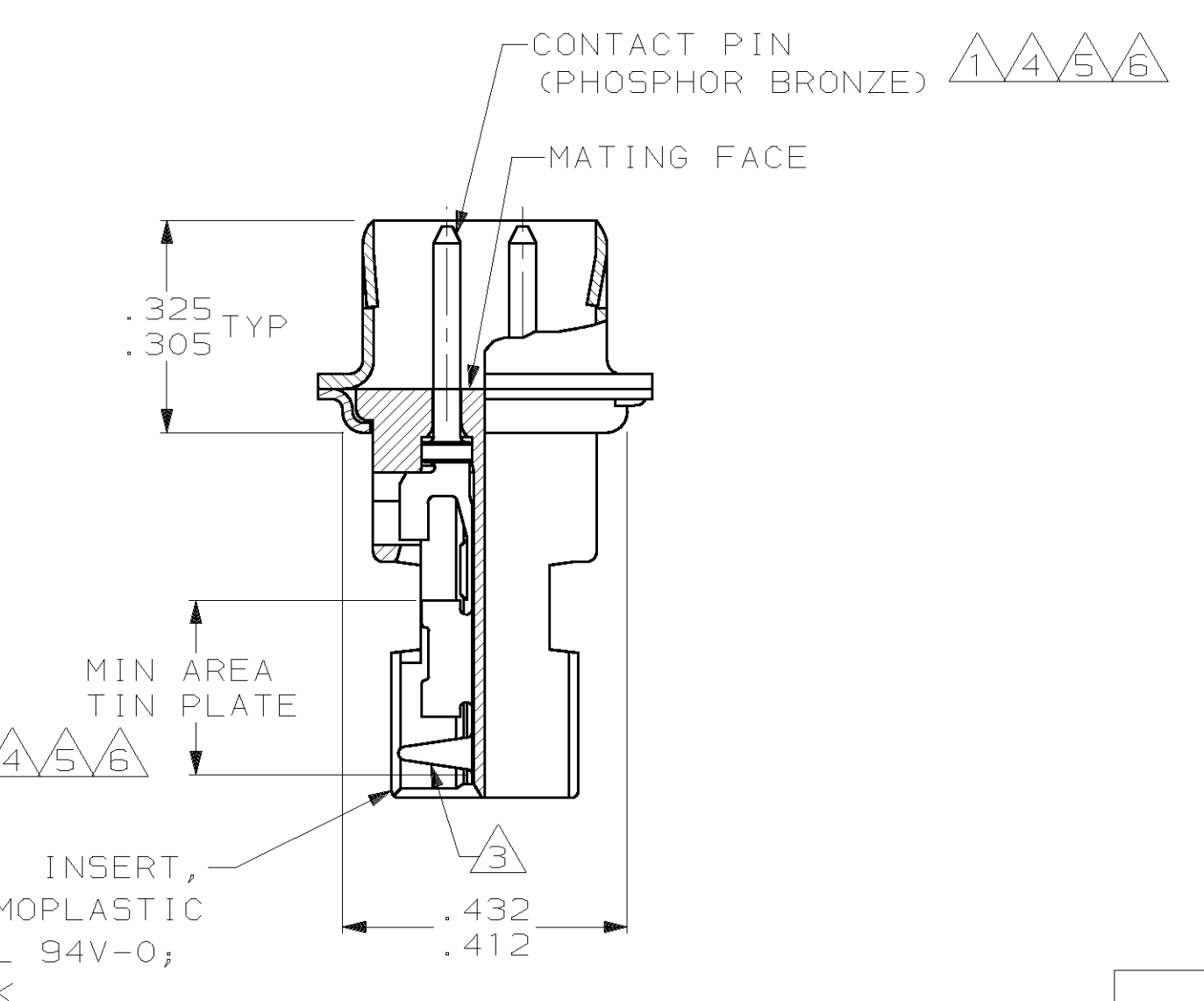
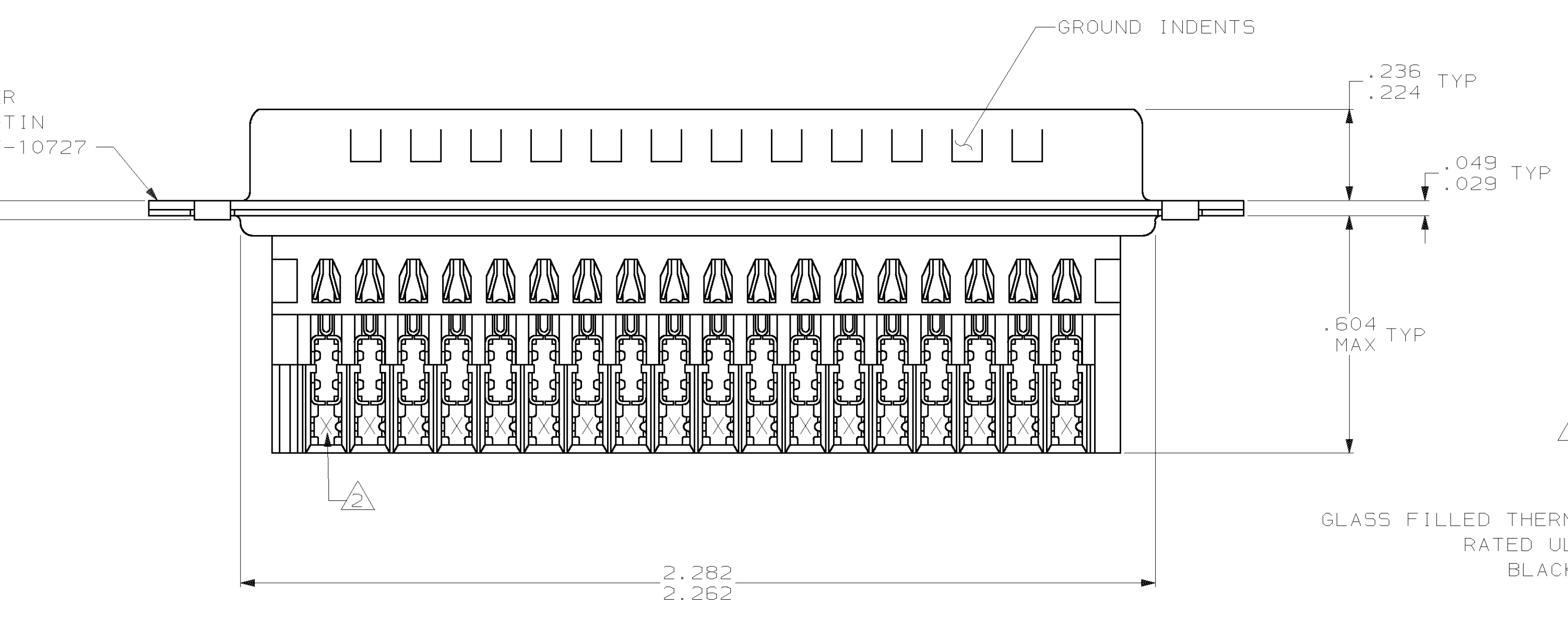
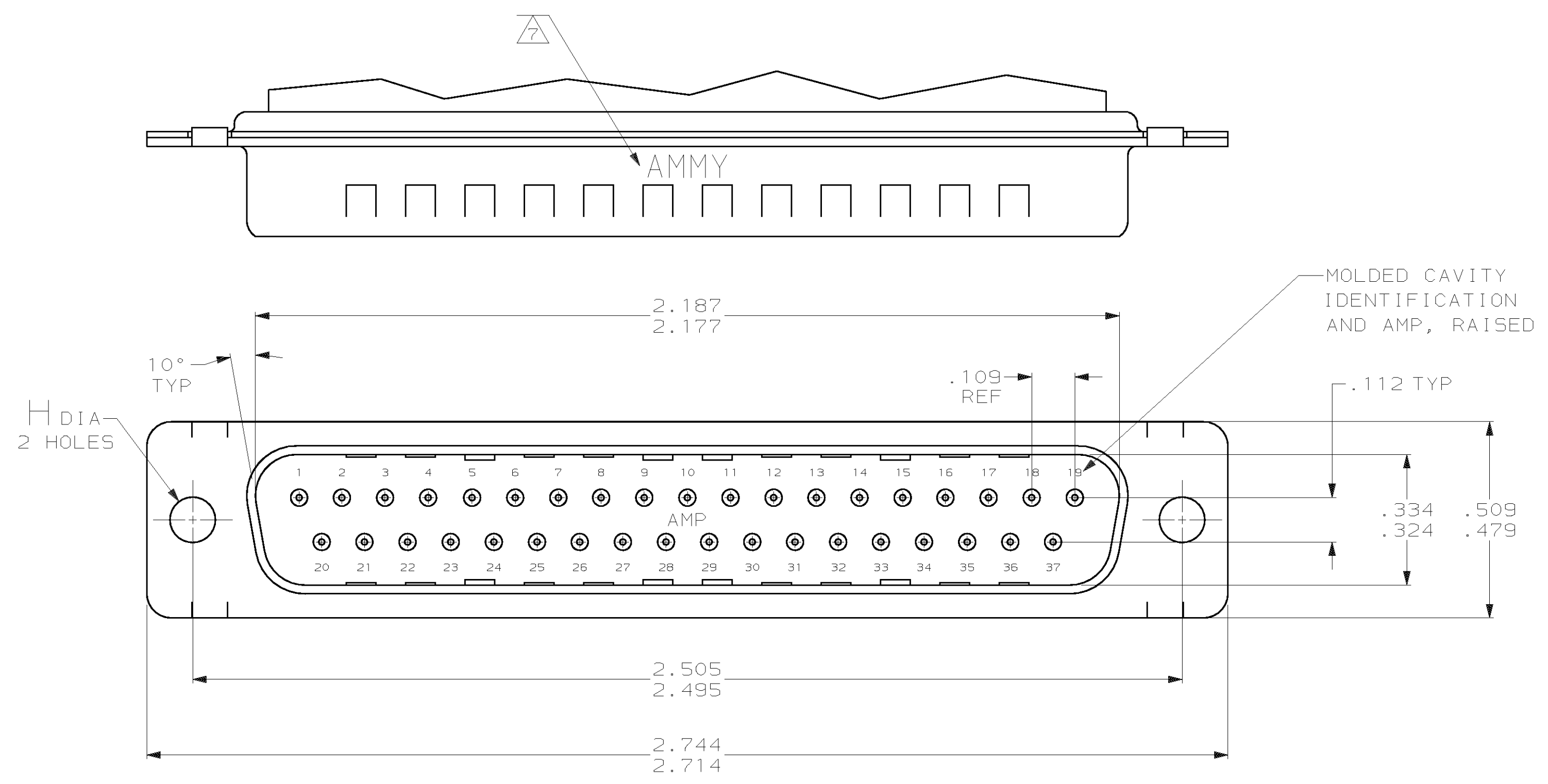


LOC		DIST		REVISIONS				
GP	00	P	F	ZONE	LTR	DESCRIPTION	DATE	APPD
				J	REV PER EC	OU1D-0220-00	10/08/01	JR
				K	REV PER EC	OU1D-0002-01	10 JAN 02	JR



- △ HOUSING FULLY LOADED WITH CONTACTS.
- △ NUMBER ON CONTACT INDICATES WIRE RANGE.
- △ CONTACT INSULATION RANGE: .060 MAXIMUM O.D.
- △ GOLD PLATED FOR LENGTH OF .150 MIN FROM MATING END, .000030 MIN GOLD IN MATED AREA. .000100-.000200 BRIGHT TIN OR BRIGHT IN TIN-LEAD AREA SHOWN. .000050 NICKEL UNDERPLATE ON ENTIRE CONTACT.
- △ GOLD PLATED FOR LENGTH OF .150 MIN FROM MATING END, GOLD FLASH IN MATED AREA. .000100-.000200 BRIGHT TIN OR BRIGHT IN TIN-LEAD AREA SHOWN. .000030 NICKEL UNDERPLATE ON ENTIRE CONTACT.
- △ GOLD PLATED FOR LENGTH OF .150 MIN FROM MATING END, .000050 MIN GOLD IN MATED AREA. .000100-.000200 BRIGHT TIN OR BRIGHT IN TIN-LEAD AREA SHOWN. .000050 NICKEL UNDERPLATE ON ENTIRE CONTACT.
- △ SPECIAL DATE CODE IN THIS APPROXIMATE AREA.  
A; MM = MONTH; Y = LAST DIGIT OF YEAR.

OBSOLETE	△ 7	.125 .115	△ 6	2	#22-26	1-745498-3
	OBSOLETE	.156 .146	△ 5	3	#20-22	1-745498-2
				2	#22-26	1-745498-1
				1	#26-30	1-745498-0
	OBSOLETE	.156 .146	△ 4	3	#20-22	745498-9
				2	#22-26	745498-8
				1	#26-30	745498-7
	OBSOLETE	.125 .115	△ 5	3	#20-22	745498-6
				2	#22-26	745498-5
				1	#26-30	745498-4
	OBSOLETE	.125 .115	△ 4	3	#20-22	745498-3
				2	#22-26	745498-2
1				#26-30	745498-1	
H	CONTACT FINISH	△ 2		AWG WIRE RANGE	PART NUMBER	

SUPERSEDED BY 745498-1  
 OBSOLETE

DO NOT SCALE PRINT. UNLESS SPECIFIED DIMENSIONS IN MILLIMETERS		TOLERANCES ON:		MATERIAL		FINISH		PART NO	
DR 3-22-90 J. GALLUCCI BG	CHK 4-12-90 H. MOLL	2 PLC DEC ±	-	SEE CALL OUT	APPD 4-17-90 J. WESTMAN	SIZE D	FSCM NO 00779	AMP INCORPORATED Harrisburg, Pa. 17105	
3 PLC DEC ± .005	ANGLES ± 2°	APPD 4-17-90 J. ASSINI	PRODUCT SPEC 108-40011	NAME	NAME	SCALE 4:1	DRAWING NO 745498	PLUG ASSEMBLY, METAL SHELL, SIZE 4, 37 POSITION, SERIES HDE-20 FOR MASS TERMINATION	
SEE TABLE	SEE TABLE	APPLICATION SPEC 114-40002	WEIGHT -	FINISH	SEE TABLE			SHEET 1 OF 1	