

PCIE-064-02-F-D-RA

PCIE-098-02-F-D-EM2

PCIE-036-02-F-D-TH

PCI EXPRESS® CONNECTOR PCIE SERIES

SPECIFICATIONS

For complete specifications and recommended PCB layouts see www.samtec.com?PCI

Insulator Material:

Black Nylon
Contact:
 Phosphor Bronze



Plating:

Au or Sn over
 50µ" (1,27µm) Ni
Current Rating:
 Testing Now!

Operating Temp:

-55°C to +125°C
Card Insertion

Depth:

(8,00mm) .315" nominal

RoHS Compliant:

Yes

Processing:

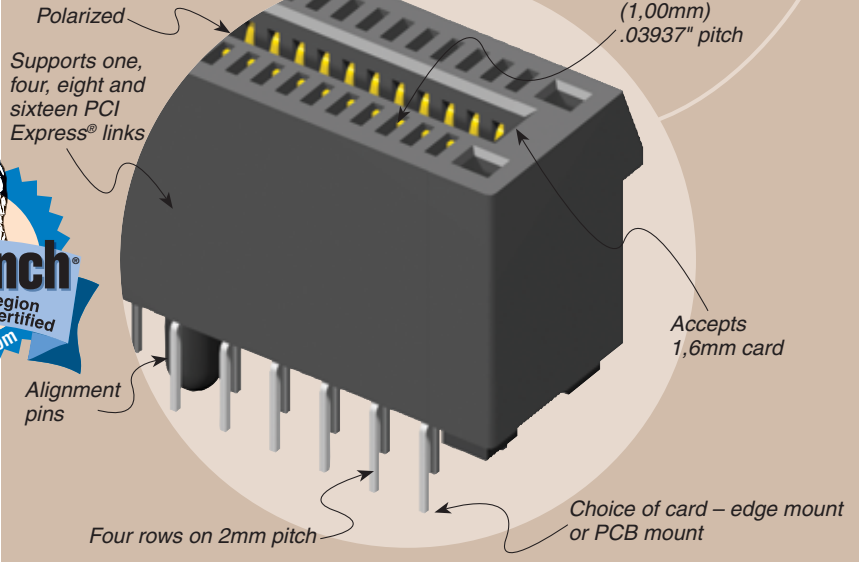
Max Processing Temp:

230°C for 60 seconds

Lead-Free Solderable:

Wave only

Mates with:
 .062" (1,60mm) Card



APPLICATION SPECIFIC OPTION

Other plating options available.
 Call Samtec.

PCIE

NO. OF POSITIONS

02

PLATING OPTION

D

TAIL OPTION

-036, -064, -098, -164

-F

= Gold flash on contact, Tin on tail

-EM2

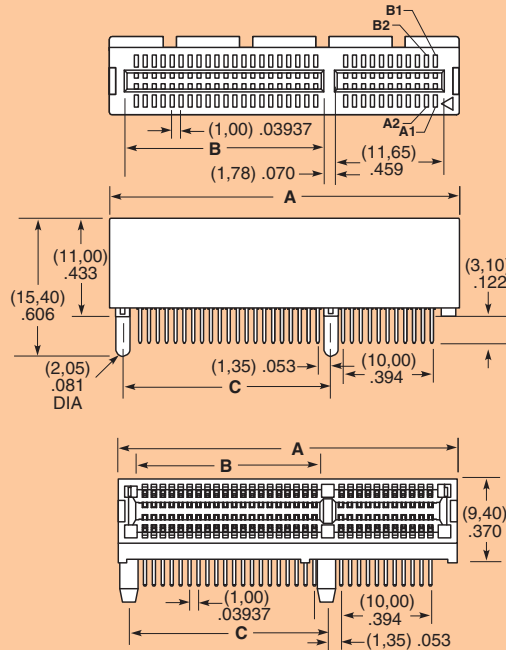
= Edge Mount

-TH

= Through-hole

-RA

= Right Angle



POSITIONS	A	B	C
-036 (X1)	(25,00) .984	(7,65) .301	(9,15) .360
-064 (X4)	(39,00) 1.535	(21,65) .852	(23,15) .911
-098 (X8)	(56,00) 2.205	(38,65) 1.522	(40,15) 1.581
-164 (X16)	(89,00) 3.504	(71,65) 2.821	(73,15) 2.880

PCI Express® is a registered trademark of PCI-SIG

Note: Some lengths, styles and options are non-standard, non-returnable.

Due to technical progress, all designs, specifications and components are subject to change without notice.

WWW.SAMTEC.COM