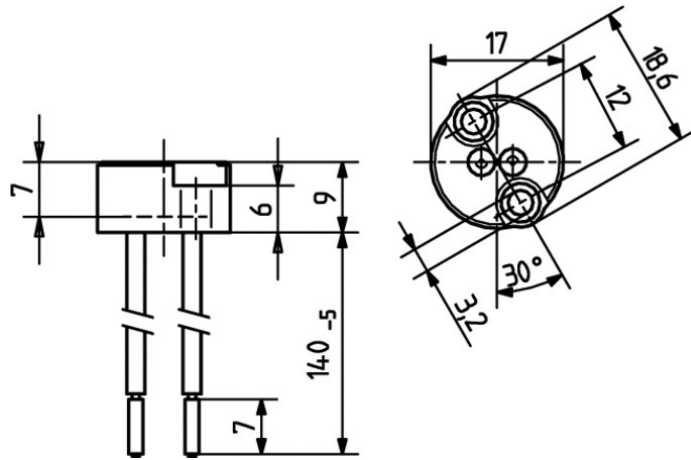


Part number: 25.104.3521.90



Product detail

- Fixing: Screw
- Housing: Ceramic / PPS
- Contacts: Ni
- Connection: Rear cable entry
- Wires: Cu, tin plated, 0.75mm², with ferrule
- Insulation: Silicone (maximum 180 °C)
- Free cable length: 140mm