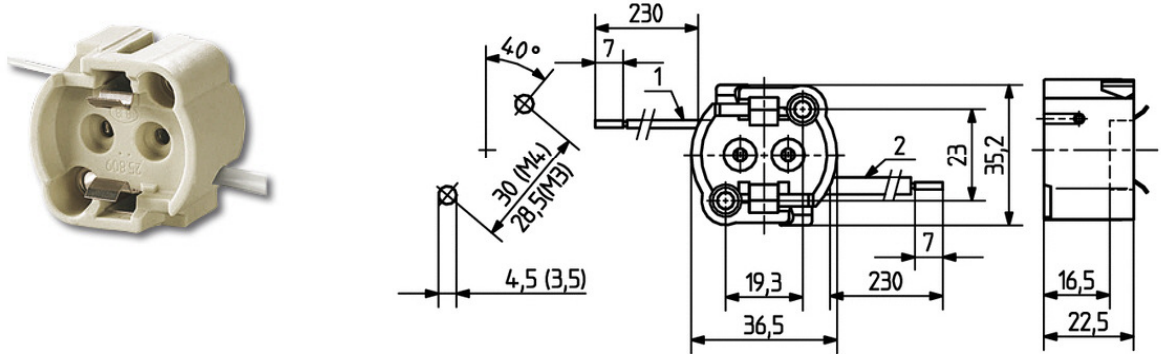


Part number: 25.809.3801.00



Product detail

- For: Metal halide lamps
- Fixing: Screw
- Housing: Ceramic / PPS
- Connection: With cables attached
- Wires 1: Cu, nickel plated, 1.0mm², with ferrule
- Insulation 1: PTFE 250°C, Ø2mm, cable length: 230mm
- Wires 2: Cu, tin plated, 1.0mm², with ferrule
- Insulation 2: Silicone 180°C, Ø4.2mm (ignition cable), cable length: 230mm