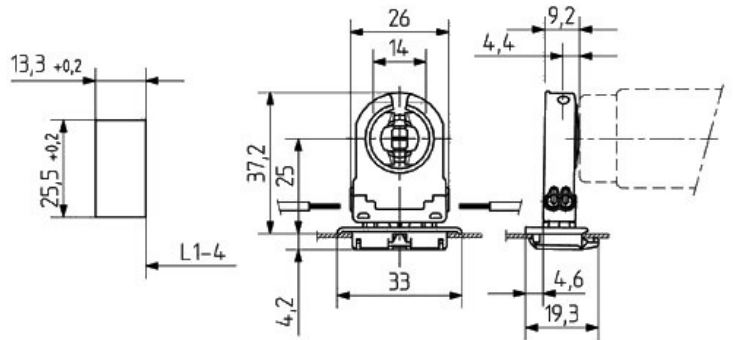


Part number: 26.308.1125.50



Product detail

- Fixing: Snap in
- Lamp centre: 25 mm
- T130
- Tm: 110 °C
- Type of protection: IP 40
- Wiring: Side entry wiring
- Holder body: PC
- Approval: cULus