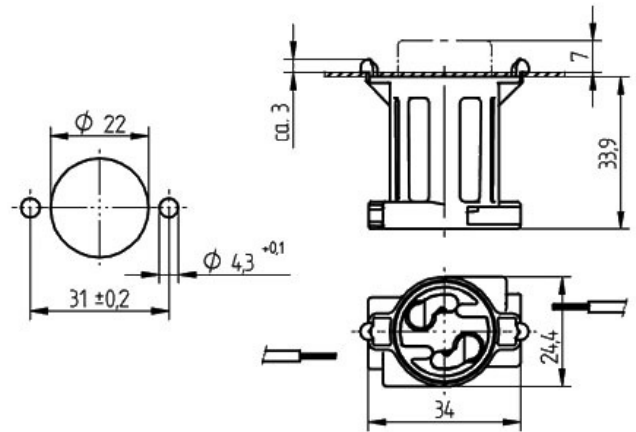


Part number: 26.514.5026.50



Product detail

- Snap in pins at top
- Approval: cULus
- With integral spacer
- Holder body: PC