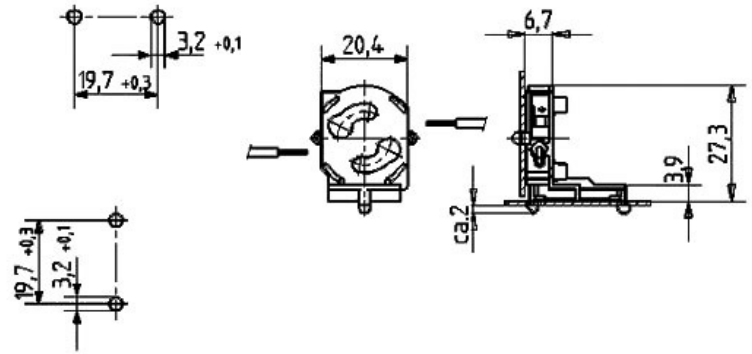


Part number: 26.515.5301.50



Product detail

- Snap in pins for horizontal or vertical fixing
- Approval: cULus
- Holder body: PC