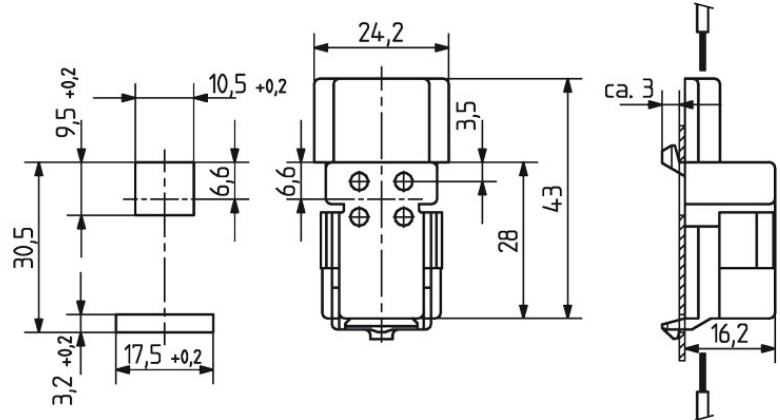
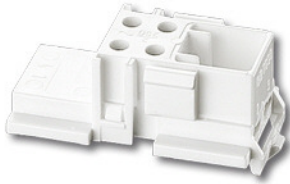


Part number: 26.715.4701.50



Product detail

- For: Lamps TC - DD
- Snap in pins
- Housing: PC