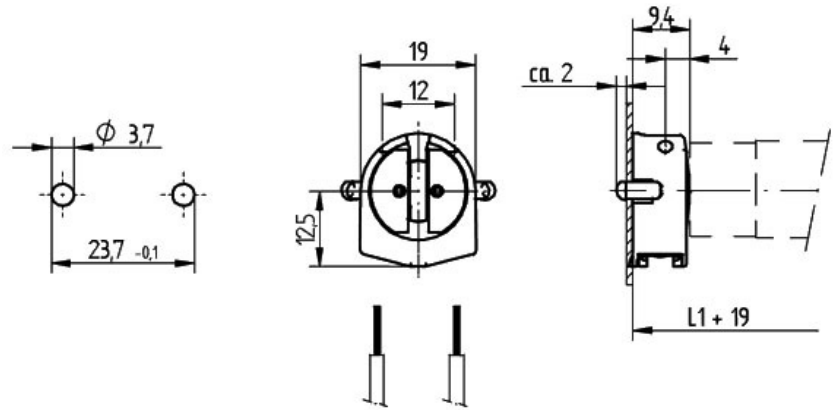


Part number: 26.641.2001.50



Product detail

- Snap in pins without spring
- T130
- Tm: 110 °C
- Holder body: PC
- Rating: 500V (for operation with electronic ballast)