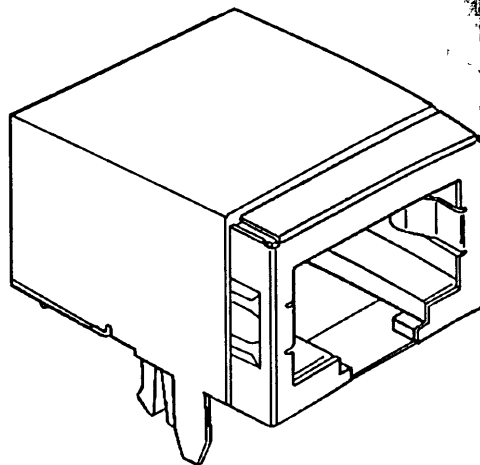


Networking Interconnection Systems

2.54 x 2.54 mm (0.100 x 0.100 in.)
Centerlines (Staggered)

Filtered Modular Jack
152-900



Features

- Inductive filtering for improved signal integrity.
- Industry standard pin out configuration for drop-in replacement into existing PCB footprint patterns.
- round, drawn wire contact provides highly reliable interface with plug.
- FCC approved GXT™ plating is available as an alternative to gold.
- RJ-45 style.

Options

- 1 to 12 ports.
- GXT™ or gold plating.
- Shielded or unshielded.
- Diamond peg or snap peg.


Mating Data


- RJ-45 modular plug cable.

Specifications

- FCC, Section 15, part 68
- Bell Core
- EIA/TIA 568, TSB 31, 40

Approvals and Certifications

 File no. E82037

 File no. LR46923

Technical Data

Materials

- Housing
 - Material Thermoplastic resin (UL 94 V-0)
 - Color Black
- Contact Copper alloy
- Shield Plated copper Alloy

Plating

- Contact 0.76 µm (30 µin.) GXT™ or 0.38 µm (15 µin.) gold or 0.76 µm (30 µin.) gold or 1.27 µm (50 µin.) gold

Electrical Performance

- Contact resistance 20 mΩ max

Impedance

- At 10 MHz 25Ω
- At 100 MHz 148Ω
- At 500 MHz 170Ω

Mechanical Performance

- Retention force between jack and plug 22.5 N (5 lbf) minimum
- Durability 250 cycles

Packaging

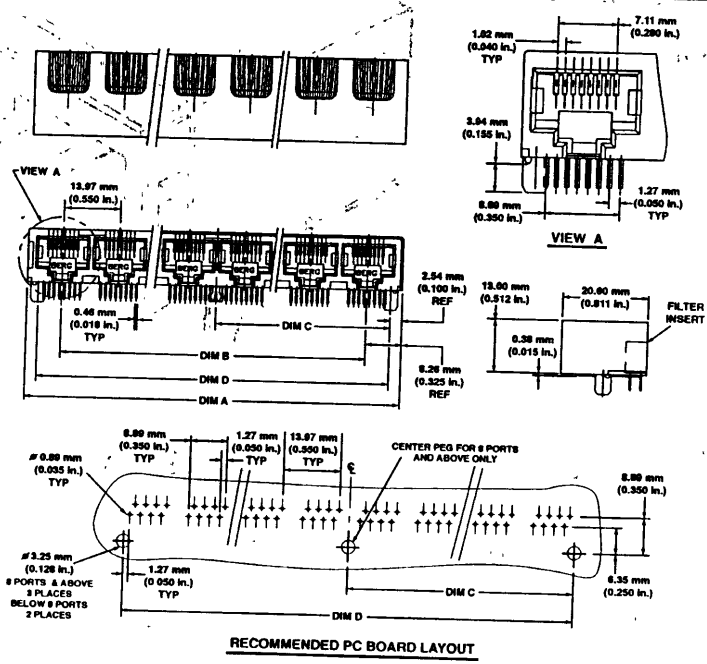
- Tubes

Customer Support Materials

Description	Order No.	Description	Order No.
Customer Product Drawings.....	By Part No.	Product Samples.....	Upon request
Product Specifications.....	GES-12-083		

Description

Filtered Modular Jacks
Unshielded version shown



NOTE: Contact your Berg Electronics representative for availability of rear shield ground leg options 1 through 4 referenced in Ordering Data below.

□□□□□ - XYY - A B

Base number indicates shielding and locating peg type
This digit specifies plating
These digits specify number of ports

Base Number	Shielded	Peg
95670	Yes	Diamond
95672	Yes	Snap
95671	No	Diamond
95673	No	Snap

Ordering Data

Specifies rear shield ground leg configuration (2 to 12 ports only)

- 0 = Standard ground legs
- 1 = 1 standard ground leg
- 2 = All ground legs
- 3 = No ground legs
- 4 = Every other ground leg

Specifies front shield ground tab configuration (2 to 12 ports only)

- 0 = Standard ground tabs
- 1 = No ground tabs

0.76 μm (30 μin.) GXT™
0.38 μm (15 μin.) gold -0YY
-1YY 0.76 μm (30 μin.) gold
-3YY
-5YY

Plating

Product Number	Number of Ports	Dimension A		Dimension B		Dimension C		Dimension D	
		mm	in.	mm	in.	mm	in.	mm	in.
95670 & 95672-X01	1	15.74	0.620	N/A	N/A	5.72	0.225	11.43	0.450
95670 & 95672-X02-AB	2	30.98	1.220	13.97	0.550	12.70	0.500	25.40	1.000
95670 & 95672-X03-AB	3	44.95	1.770	27.94	1.100	19.69	0.775	39.37	1.550
95670 & 95672-X04-AB	4	58.92	2.320	41.91	1.650	26.67	1.050	53.34	2.100
95670 & 95672-X05-AB	5	72.89	2.870	55.88	2.200	33.66	1.325	67.31	2.650
95670 & 95672-X06-AB	6	86.86	3.420	69.85	2.750	40.64	1.600	81.28	3.200
95670 & 95672-X07-AB	7	100.83	3.970	83.82	3.300	47.63	1.875	95.25	3.750
95670 & 95672-X08-AB	8	114.80	4.520	97.79	3.850	54.61	2.150	109.22	4.300
95670 & 95672-X09-AB	9	128.77	5.070	111.76	4.400	61.60	2.425	123.19	4.850
95670 & 95672-X10-AB	10	142.74	5.620	125.73	4.950	68.58	2.700	137.16	5.400
95670 & 95672-X11-AB	11	156.71	6.170	139.70	5.500	75.57	2.975	151.13	5.950
95670 & 95672-X12-AB	12	170.68	6.720	153.67	6.050	82.55	3.250	165.10	6.500
95671 & 95673-X01	1	15.74	0.620	N/A	N/A	5.72	0.225	11.43	0.450
95671 & 95673-X02	2	30.48	1.200	13.97	0.550	12.70	0.500	25.40	1.000
95671 & 95673-X03	3	44.45	1.750	27.94	1.100	19.69	0.775	39.37	1.550
95671 & 95673-X04	4	58.42	2.300	41.91	1.650	26.67	1.050	53.34	2.100
95671 & 95673-X05	5	72.39	2.850	55.88	2.200	33.66	1.325	67.31	2.650
95671 & 95673-X06	6	86.36	3.400	69.85	2.750	40.64	1.600	81.28	3.200
95671 & 95673-X07	7	100.33	3.950	83.82	3.300	47.63	1.875	95.25	3.750
95671 & 95673-X08	8	114.30	4.500	97.79	3.850	54.61	2.150	109.22	4.300
95671 & 95673-X09	9	128.27	5.050	111.76	4.400	61.60	2.425	123.19	4.850
95671 & 95673-X10	10	142.24	5.600	125.73	4.950	68.58	2.700	137.16	5.400
95671 & 95673-X11	11	156.21	6.150	139.70	5.500	75.57	2.975	151.13	5.950
95671 & 95673-X12	12	170.18	6.700	153.67	6.050	82.55	3.250	165.10	6.500