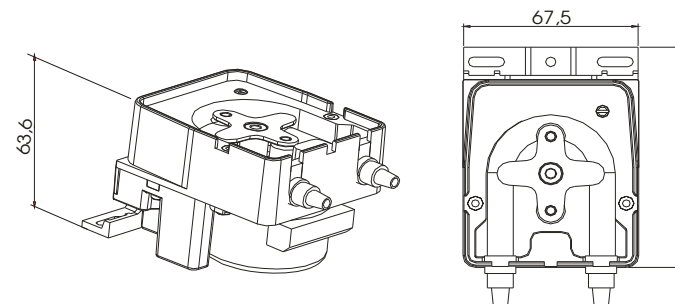


series PBR: Open case, Bracket mounting, AC motors, Adjustable flow rate



Model with built-in fixing bracket for installation on devices where pumps should not be easily accessible for the user

Flow rate available from 1,33 up to 100,0 ml/min (0,08 up to 6,0 l/h) adjustable via internal on-off cyclic timer

Available power supply: 24 Vac - 115 Vac - 230 Vac

Pumps are supplied as standard with connection for ID4 / OD 6 mm inlet-outlet tubing with nut fixing. On request connections for 5, 6 and 8 mm ID tubing.

Available on request with transaxle technology for a heavyduty and long life operation

(1) These tubing are available in food grade type

Flow rate		Tubing												
		SANTOPRENE				SEKOBRIIL			SEKOFLEX		SEKOKEM		SEKOMED	
ml/min	l/h	3x7	6x9	6x10 (1)	3x7,4	3x8	6x10 (1)	4x8,6	3x8	6x10	3x8	6x10	3x8	6x10
1,33	0,08	OR001A181000			OR001A141000	OR001A221000			OR001A321000		OR001A421000			
		1,67 rpm 0,1bar			1,67 rpm 3 bar	1,67 rpm 3 bar			1,67 rpm 3 bar		1,67 rpm 0,1 bar			
4,17	0,25		OR004A131000	OR004A111000			OR004A211000			OR004A311000		OR004A411000		
			1,67 rpm 0,1 bar	1,67 rpm 0,1 bar			1,67 rpm 0,1 bar			1,67 rpm 0,1 bar		1,67 rpm 0,1 bar		
6,67	0,40	OR007A181000			OR007A1410	OR007A221000			OR007A321000		OR007A421000			
		10 rpm 0,1 ... 1,5 bar			10 rpm 0,5 bar	10 rpm 3 bar			10 rpm 3 bar		10 rpm 0,1 bar			
11,67	0,70							OR012A251000						
								10 rpm 0,1...3 bar						
21,67	1,30	OR022A181000			OR022A1410	OR022A221000								
		31,25 rpm 0,1 bar			31,25 rpm 0,1 bar	31,25 rpm 0,1 bar								
25,00	1,50		OR025A131000	OR025A111000			OR025A211000			OR004A311000		OR004A411000		
			10 rpm 0,1 bar	10 rpm 0,1 bar			10 rpm 0,1			10 rpm 0,1 bar		10 rpm 0,1 bar		
50,00	3,00		OR050A131000	OR050A111000			OR050A211000			OR050A311000		OR050A411000		
			20 rpm 0,1 bar	20 rpm 0,1 bar			20 rpm 0,1 bar			20 rpm 0,1 bar		20 rpm 0,1 bar		
83,33	5,00		OR083A131000	OR083A111000			OR083A211000			OR083A311000				
			31,25 rpm 0,1 bar	31,25 rpm 1,5 bar			31,25 rpm 0,1 bar			31,25 rpm 0,1 bar				
100,00	6,00		OR100A131000	OR100A111000										
			41,6 rpm 0,1 bar											

The indicated flow rate values are measured with water. The actual values depend on different parameters like type and age of tubing, pressure of tubing beds, pressures proportions, viscosity, etc.